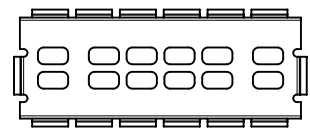
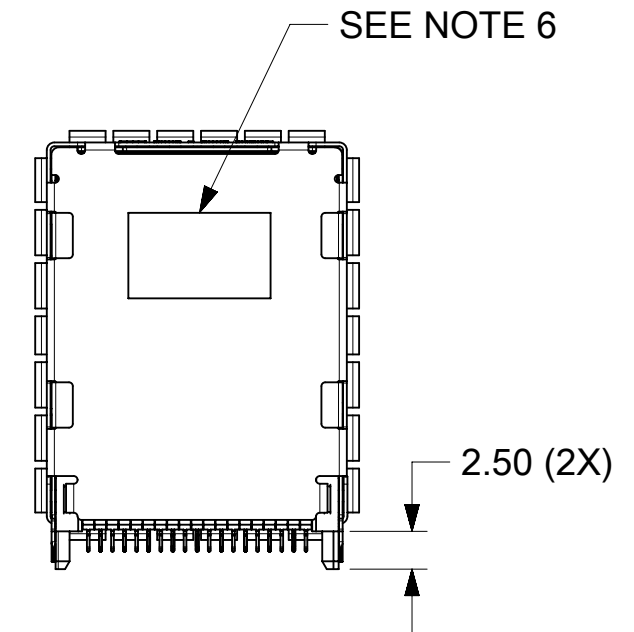
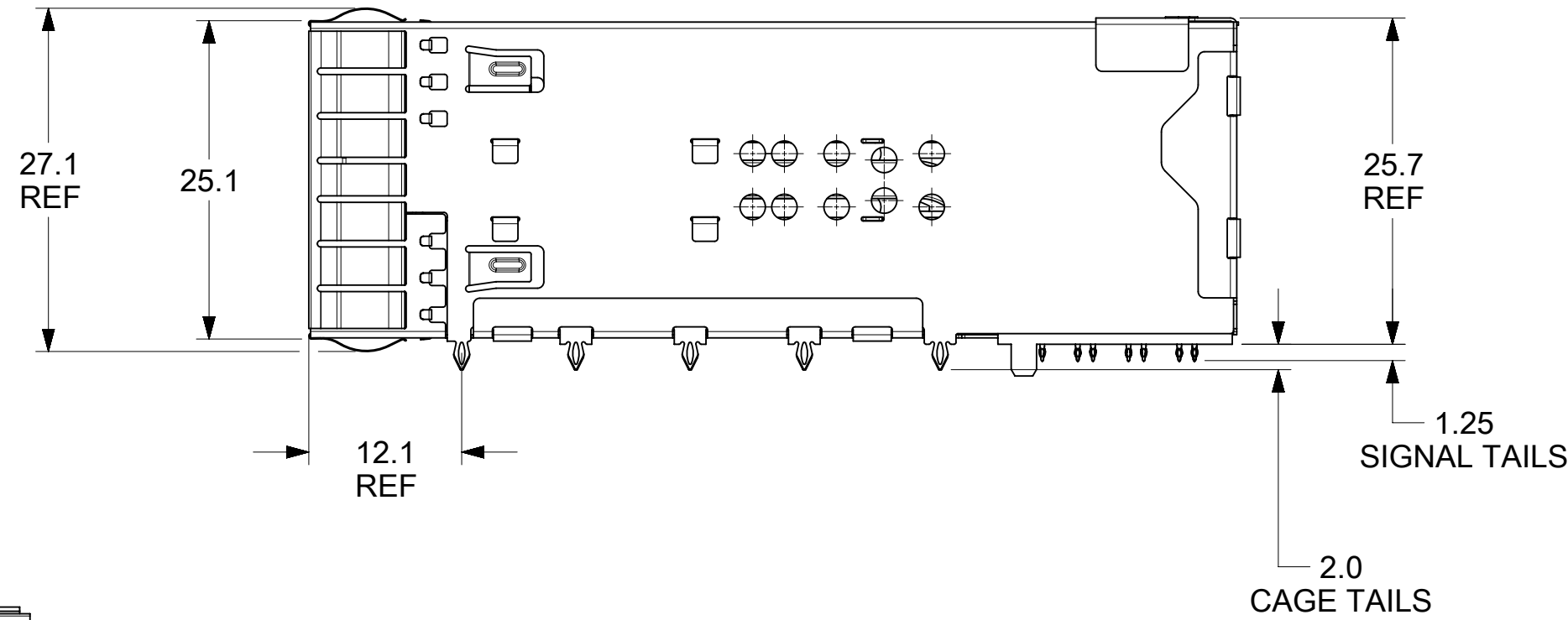
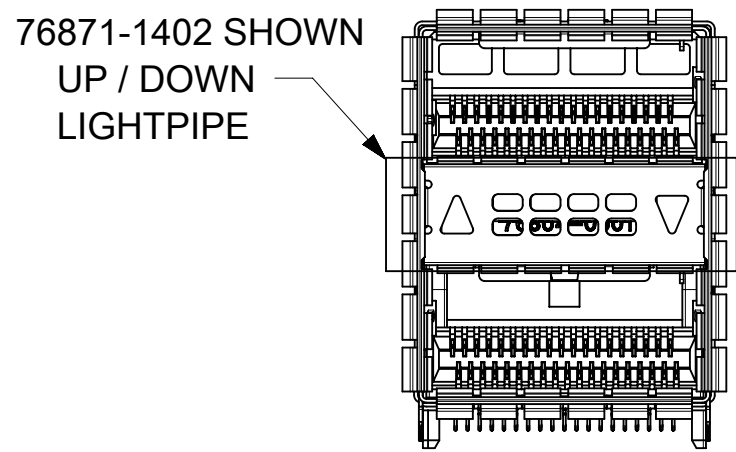
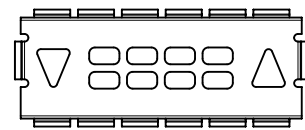


NOTES

- MATERIALS
 CAGE: NICKLE SILVER, 0.25 THICK
 SPRING FINGERS: PHOS. BRONZE, 0.10 THICK
 CONNECTOR HOUSING: HIGH PERFORMANCE THERMOPLASTIC, 94V-0
 TERMINALS: HIGH PERFORMANCE COPPER ALLOY, 0.18 THICK
- FINISH
 SPRING FINGERS: 100µm NICKEL OVERALL
 TERMINALS: CONTACT AREA: 0.76µm MIN GOLD OVER
 2.5µm MIN NICKEL
 COMPLIANT AREA: 0.76-1.52µm MATTE TIN
 OVER 1.27µm MIN NICKEL
- ALL SURFACES TO BE CLASS "C" OR BETTER PER MOLEX COSMETIC SPECIFICATION PS-45499-002
- REFER TO PK-76871-9001 FOR PACKAGING INFORMATION
- CONNECTOR INTENDED TO MATE WITH CABLE PLUG SERIES 74757 AND 74758
- DATE CODE LOCATION SHOWN. DATE CODE FORMAT: DDDY
 DDD = DAY OF THE YEAR, Y = YEAR



76871-1401
AIRFLOW ONLY
NO LIGHTPIPE



76871-1403
DOWN / UP
LIGHTPIPE
(OBSOLETED)

THIS DRAWING CONTAINS INFORMATION THAT IS PROPRIETARY TO MOLEX ELECTRONIC TECHNOLOGIES, LLC AND SHOULD NOT BE USED WITHOUT WRITTEN PERMISSION

DIMENSION UNITS		SCALE		CURRENT REV DESC: OBSOLETED PART NO				molex			
mm		2:1									
GENERAL TOLERANCES (UNLESS SPECIFIED)				EC NO: 625872				QSFP+ 2X1 W/EMI SPRINGS			
				DRWN: VLOKESHA 2019/09/03							
4 PLACES ±				CHK'D: GB 2019/11/06				PRODUCT CUSTOMER DRAWING			
3 PLACES ±				APPR: GGA 2019/11/12							
2 PLACES ± 0.13				INITIAL REVISION:				DOCUMENT NUMBER			
1 PLACE ± 0.25				DRWN: JKACHLIC 2012/08/09							
0 PLACES ±				APPR: MBANAKIS 2012/08/22				SD-76871-1400 PSD 001 C			
ANGULAR TOL ± 0.5°				THIRD ANGLE PROJECTION							
DRAFT WHERE APPLICABLE MUST REMAIN WITHIN DIMENSIONS				DRAWING		SERIES		MATERIAL NUMBER		CUSTOMER	
				C-SIZE		76871		SEE CHART		GENERAL MARKET	
										SHEET NUMBER	
										1 OF 3	

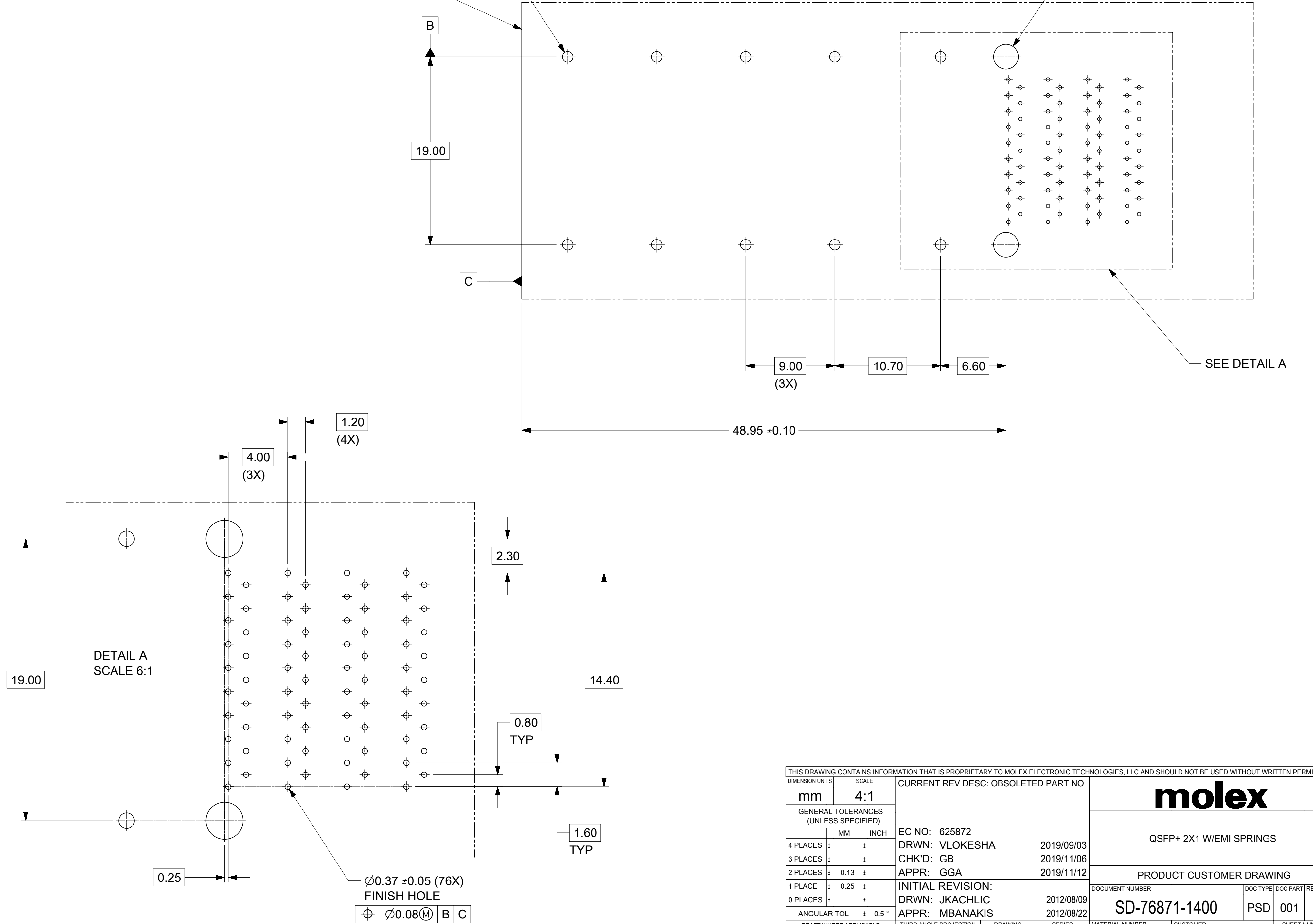
PART NUMBER	AIRFLOW/LIGHTPIPE OPTION			
768711401	AIRFLOW ONLY. NO LIGHTPIPE			
768711402	UP /DOWN LIGHTPIPE INDICATOR			
DOCUMENT STATUS	P1	RELEASE DATE	2019/11/12	07:19:29

Ø1.05 ±0.05 (10X)
FINISH HOLE
⊕ Ø0.08(M) B C

Ø2.50 ±0.05 (2X)
DRILL HOLE
⊕ Ø0.08(M) B C

FRONT EDGE OF BOARD

FRONT EDGE OF BOARD



THIS DRAWING CONTAINS INFORMATION THAT IS PROPRIETARY TO MOLEX ELECTRONIC TECHNOLOGIES, LLC AND SHOULD NOT BE USED WITHOUT WRITTEN PERMISSION

DIMENSION UNITS		SCALE		CURRENT REV DESC: OBSOLETE PART NO			
mm		4:1		<p>molex</p> <p>QSFP+ 2X1 W/EMI SPRINGS</p> <p>PRODUCT CUSTOMER DRAWING</p> <p>DOCUMENT NUMBER: SD-76871-1400 DOC TYPE: PSD DOC PART: 001 REVISION: C</p> <p>MATERIAL NUMBER: SEE CHART CUSTOMER: GENERAL MARKET SHEET NUMBER: 2 OF 3</p>			
GENERAL TOLERANCES (UNLESS SPECIFIED)							
		MM	INCH				
4 PLACES	±						
3 PLACES	±						
2 PLACES	±	0.13		EC NO: 625872		2019/09/03	
1 PLACE	±	0.25		DRWN: VLOKESHA		2019/11/06	
0 PLACES	±			CHK'D: GB		2019/11/12	
ANGULAR TOL ± 0.5 °				APPR: GGA			
DRAFT WHERE APPLICABLE MUST REMAIN WITHIN DIMENSIONS				THIRD ANGLE PROJECTION		INITIAL REVISION:	
				DRAWING		DRWN: JKACHLIC	
				SERIES		2012/08/09	
				C-SIZE		2012/08/22	
				76871			

DOCUMENT STATUS	P1	RELEASE DATE	2019/11/12	07:19:29
-----------------	----	--------------	------------	----------