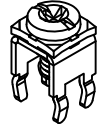
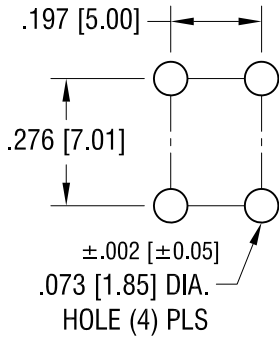


THIS DOCUMENT IS THE PROPERTY OF  
KEYSTONE ELECTRONICS CORP. AND  
SHALL NOT BE REPRODUCED, DISTRIBUTED  
OR USED AS A BASIS FOR MANUFACTURE  
WITHOUT PRIOR WRITTEN PERMISSION  
FROM KEYSTONE ELECTRONICS CORP.

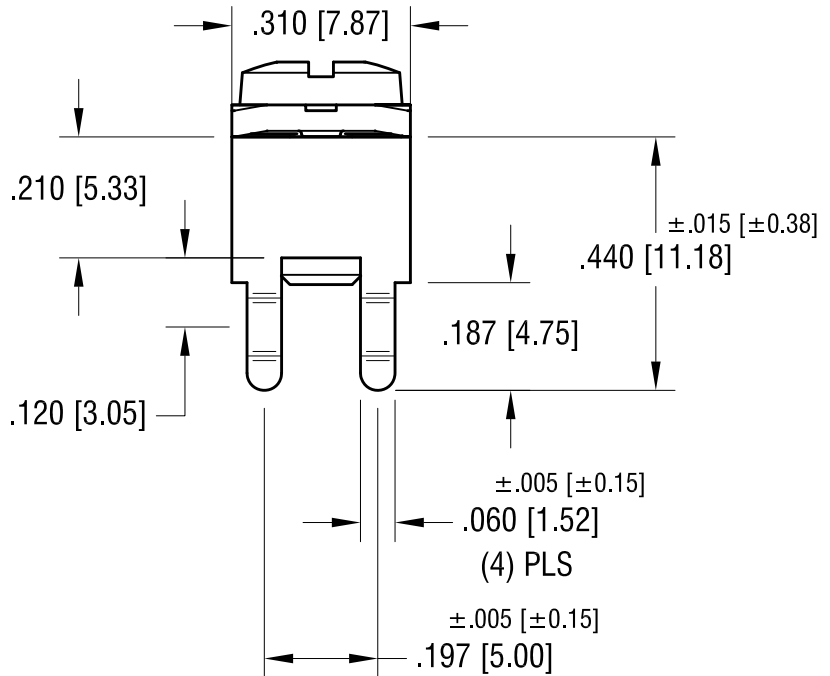
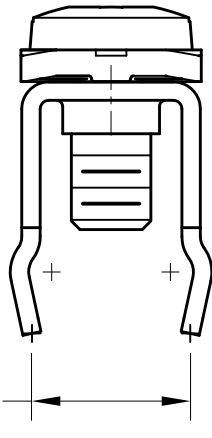
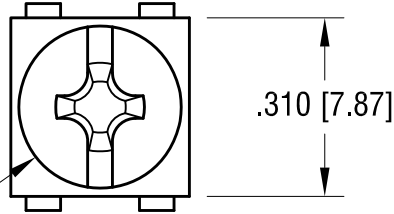
**ACTUAL SIZE**



**MOUNTING DETAIL**



6-32 x 1/4 L.  
CAPTIVATED COMBINATION  
SEMS SCREW



**NOTES:**

**1. TERMINAL:**

MAT'L - .032 [0.81] TH'K BRASS, MATTE TIN PLATE

**COMBINATION SEMS SCREW:**

MAT'L - STEEL, NICKEL PLATE

**KEYSTONE ELECTRONICS CORP.**

www.keyelco.com • NEW HYDE PARK, NY 11040 • Tel (516) 328-7500

PART NAME		PC SCREW TERMINAL	
MATERIAL		AS NOTED	
FINISH	AS NOTED	DRN BY	NT
		APP'D	LN
		DATE	6.23.10
		SCALE	3X
TOLERANCES	INCH [MM]	CODE	DWG NO.
DECIMAL	± .010 [± 0.25]	C	7693-SEMS
ANGULAR	± 1°		
UNLESS OTHERWISE SPECIFIED			

10.21.11	CHANGE AS PER ECN 11-136	A
DATE	DESCRIPTION	REV.