

**M12 male 90° A-cod. with cable**

TPE 4x18AWG ye UL/CSA. ITC/PLTC 1m

Cable is approved for 600 V

Male 90°

M12, 4-pole

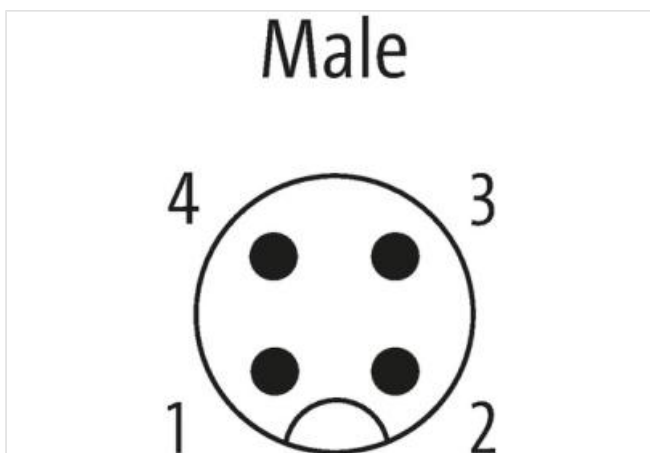
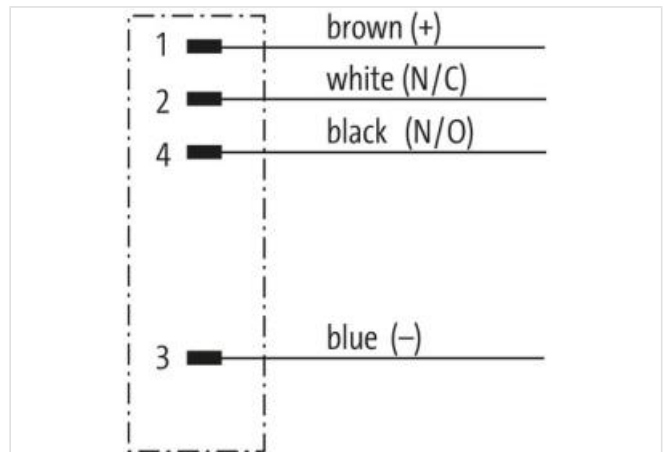
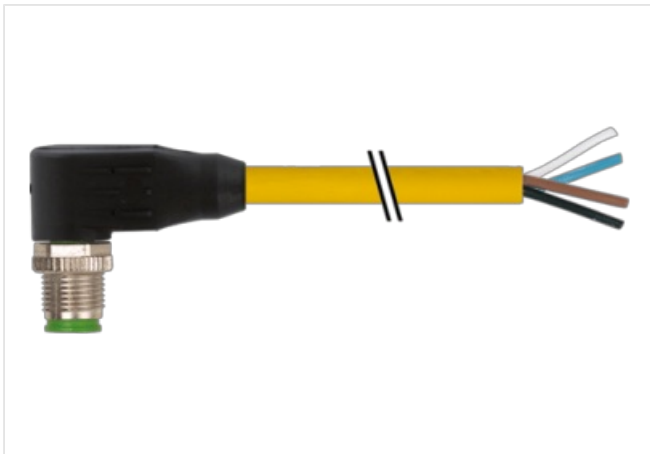
USA

Cable is approved for 600 V

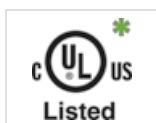
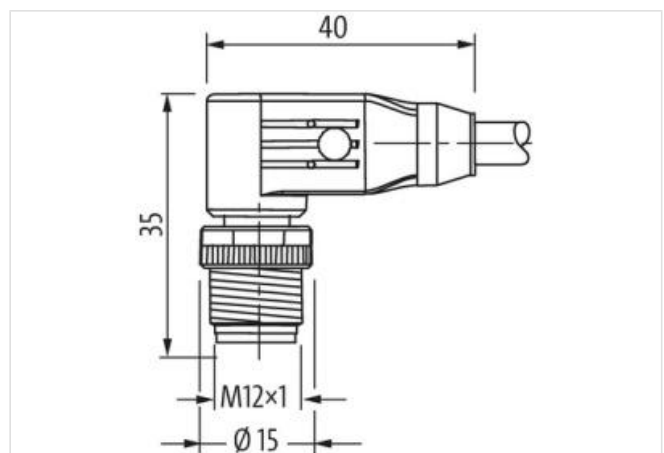
Plastic housings with good resistance against chemicals and oils.

The resistance to aggressive media should be individually tested for your application. Further details on request.

Further cable lengths on request.

[Link to Product](#)**Illustration**

Product may differ from Image



\* only for products with UL/CSA approved cable

**Form**

Form

12101

**Technical Data**

The information in this brochure has been compiled with the utmost care.

Liability for the correctness completeness and topicality of the information is restricted to gross negligence. Version: 2022-09-02

Murrelektronik Inc. | 1327 Northbrook Parkway, Suite 460 | Suwanee, GA 30024 | Fon +1 770 497-9292 | Fax +1 770 497-9391 | shop@murrinc.com | shop.murrinc.com

|   |  |
|---|--|
| Operating voltage                         | max. 250 V AC/DC   |
| Operating voltage (only UL listed)        | max. 30 V AC/DC  |
| Rated surge voltage                       | 2.5 kV   |
| Operating current per contact             | max. 4 A   |
| No. of poles                              | 4  |
| Material group                            | IEC 60664-1, category I  |
| Coding                                    | A-coded  |
| Locking of ports                          | Screw thread (M12×1 mm) recommended torque 0.6 Nm, self-securing |
| Compression gland                         | M12 (SW13)   |
| Protection                                | IP65, IP66K, IP67 inserted and tightened (EN 60529)              |
| Locking material                          | Zinc die casting, matte nickel plated                            |
| suitable for corrugated tube (internal Ø) | without  |

#### General data

|                           |  |
|---------------------------|--|
| Standards                 | DIN EN 61076-2-101 (M12)                 |
| Mounting method           | inserted, tightened                      |
| Pollution Degree          | 3  |
| Stripping length (jacket) | 20 mm                                    |
| Temperature range         | -25...+85 °C, depending on cable quality |

#### Cables

|                                 |   |
|---------------------------------|---|
| No./diameter of wires           | 4× 0.75 mm <sup>2</sup>                     |
| Wire isolation                  | PVC (br, wh, bl, bk)                        |
| C-track properties              | 10 Mio.                                     |
| Outer Ø                         | 7.2 mm ±5%                                  |
| Cable identification            | 150   |
| Cable Type                      | TPE   |
| Approval (cable)                | UL (AWM-Style 20626/10708), CSA; CE conform |
| Cable weight [g/m]              | 78,57 g                                     |
| Material (wire)                 | Cu wire, bare                               |
| Resistor (core)                 | max. 22.5 Ω/km (20 °C)                      |
| Single wire Ø (core)            | 0.234 mm                                    |
| Construction (core)             | 19× 0.254 mm (multi-strand wire class 5)    |
| Diameter (core)                 | 4× AWG18/19                                 |
| Material (wire isolation)       | PVC   |
| Wire-Ø incl. isolation          | 1.93 mm ±5%                                 |
| Color/numbering of wires        | br, bk, bl, wh                              |
| Stranding combination           | 4 wires twisted                             |
| Shield                          | no  |
| Material (jacket)               | TPE   |
| Outer-Ø (jacket)                | 7.2 mm ±5%                                  |
| Color (jacket)                  | yellow                                      |
| Jacket Color                    | yellow                                      |
| thermal resistance              | flame retardant                             |
| Nominal voltage                 | 600 V AC                                    |
| Test voltage                    | 4000 V                                      |
| Current load capacity           | to DIN VDE 0298-4                           |
| Temperature range (fixed)       | -40...+105 °C                               |
| Temperature range (fixed)       | -40...+105 °C                               |
| Temperature range (mobile)      | -20...+90 °C                                |
| Temperature range (mobile)      | -20...+90 °C                                |
| Bend radius (fixed)             | 10× outer Ø                                 |
| Bend radius (moving)            | 15× outer Ø                                 |
| Bend radius (moving)            | 15× outer Ø                                 |
| No. of bending cycles (C-track) | max. 10 Mio. (25 °C)                        |

The information in this brochure has been compiled with the utmost care.

Liability for the correctness completeness and topicality of the information is restricted to gross negligence. Version: 2022-09-02