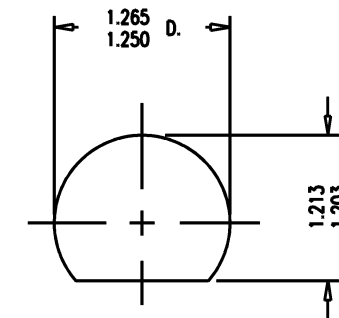
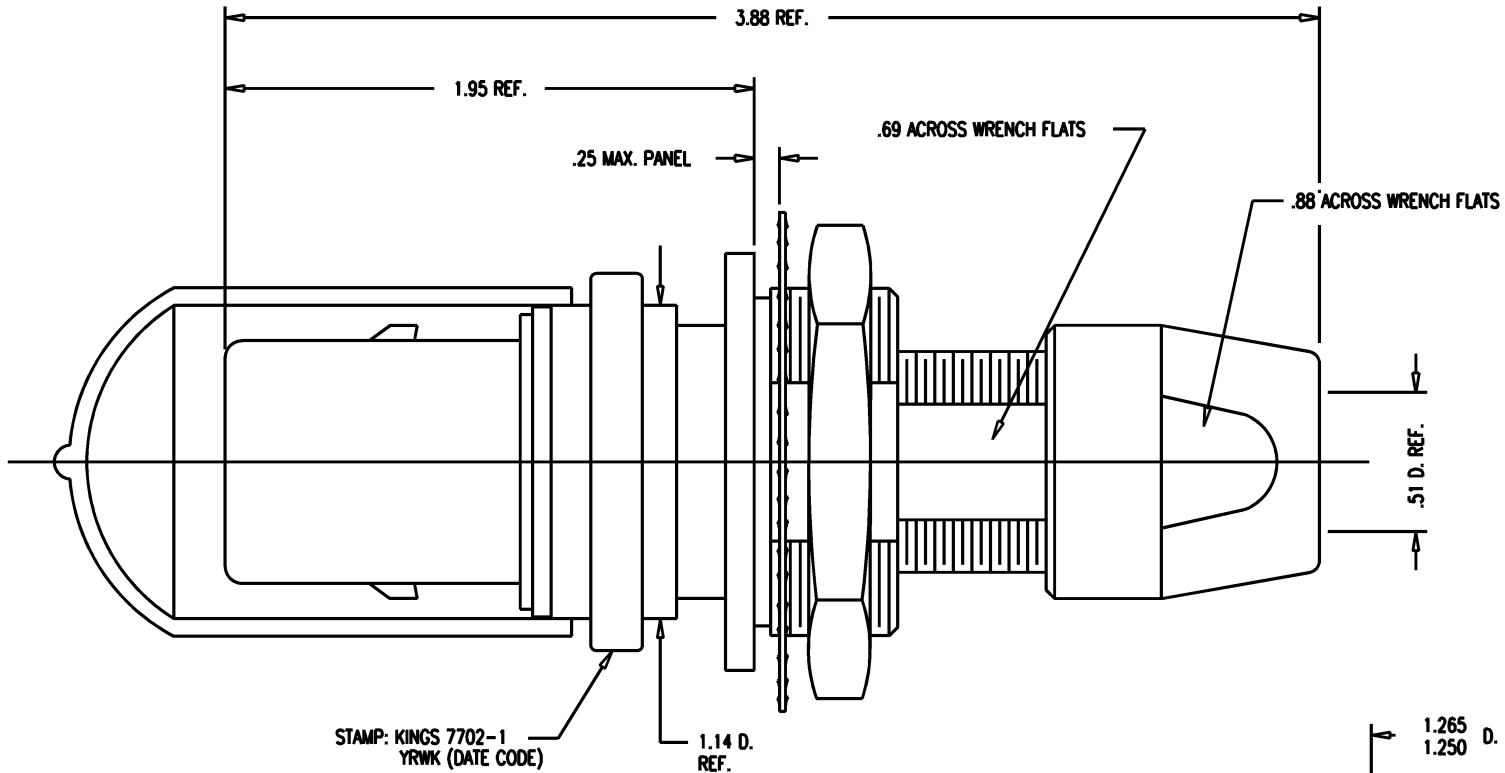


GSD

7702-1

REVISIONS

ISSUE	CHANGES
0	ER 35427 KH 04/12/95
1	CN 37942 E TML 12/16/99



MOUNTING HOLE

GSD

NOTES:

1. FOR USE WITH 700 CABLE GROUP.
2. FOR CABLING INSTRUCTIONS SEE KAI-8010.
3. FOR CABLE TRIMMING USE KTJ-300 AND KTD-300.
4. FOR CRIMPING USE DIE SIZE 2040.

5. MATERIALS:

INSULATORS-TEFLON, ASTM-D-4894
 LOCKWASHER-SPRING STEEL, PER ASTM A682
 CONDUCTIVE GASKET-CONSIL C 87-10004, 60-70 DUROMETER
 GASKETS-SILICONE RUBBER, ZZ-R-765
 CAP-VINYL
 K-GRIP SLEEVE-COMMERCIAL BRONZE, ASTM-B-135
 OUTER CONTACT-PHOSPHOR BRONZE, ASTM-B-103
 BODY-BER. COP., ASTM-B-196
 ALL OTHER METAL PARTS-BRASS, ASTM-B16

6. FINISHES:

CENTER CONTACT-GOLD PLATE PER MIL-G-45204
 LOCKWASHER
 NUTS
 COLLET
 OUTER BODIES
 BODY RING
 ALL OTHER METAL PARTS-SILVER PLATE PER QQ-S-365

} KINGS TARNISH RESISTANT NICKEL FINISH (TR-5)

7. ELECTRICAL CHARACTERISTICS:

NOMINAL IMPEDANCE: 75 OHMS
 FREQUENCY RANGE: DC-500 MHZ
 VOLTAGE BREAKDOWN: CENTER CONDUCTOR/INNER GROUND: 1500 VRMS
 INNER GROUND/OUTER GROUND: 500 VRMS

77021S

SCALE 2:1

APPROX SURFACE AREA

USED ON

REF: KP-8012-707-400

PL, BKHD, TRI-LOC
 SERIAL DIGITAL

DRAWN	KH	04/12/95
DESIGN	DW	04/13/95
APPR.		DATE

KINGS
 ELECTRONICS CO., INC.
 ROCK HILL, SOUTH CAROLINA 29730

7702-1