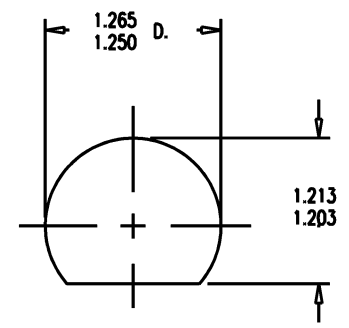
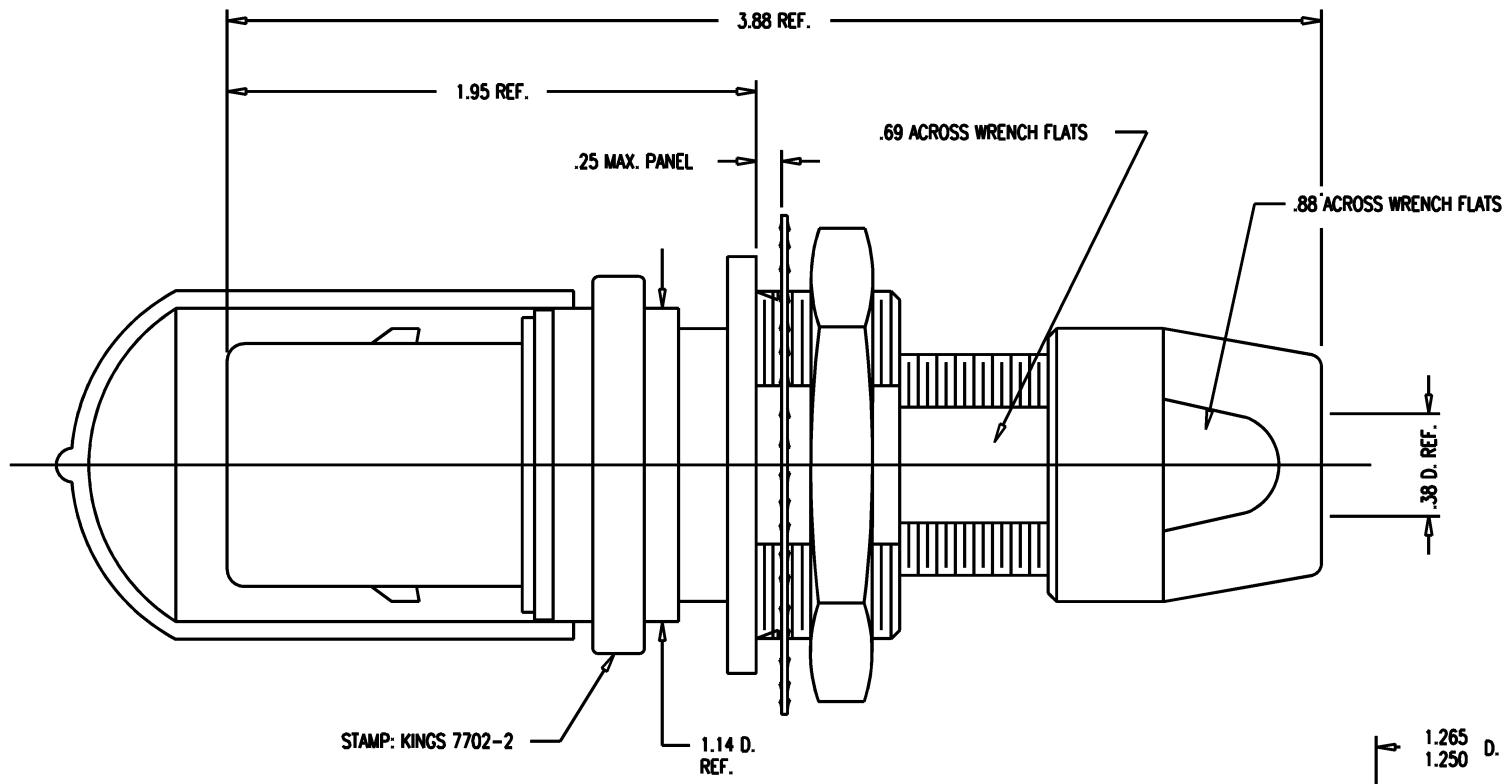


DASH NO.	M CODE	MADE FROM
----------	--------	-----------

GSD

7702-2

REVISIONS	
ISSUE	CHANGES
0	ER 35428 KH 04/13/95
1	CN 39531 C AM 07/12/06
2	CN 39576 E AM 08/16/06



MOUNTING HOLE

GSD

NOTES:

1. FOR USE WITH 730 CABLE GROUPS.
2. FOR CABLING INSTRUCTIONS SEE KAI-8010.
3. FOR CABLE TRIMMING USE KTJ-303 AND KTD-303.
4. FOR CRIMPING USE DIE KTH-2002.

5. MATERIALS:

INSULATORS-TEFLON, ASTM-D-4894
 LOCKWASHER-SPRING STEEL, PER ASTM A682
 CONDUCTIVE GASKET-CONSIL C 87-10004, 60-70 DUROMETER
 GASKETS-SILICONE RUBBER, ZZ-R-765
 CAP-VINYL
 K-GRIP SLEEVE-COMMERCIAL BRONZE, ASTM-B-135
 OUTER CONTACT-PHOSPHOR BRONZE, ASTM-B-103
 BODY-BER. COP., ASTM-B-196
 ALL OTHER METAL PARTS-BRASS, ASTM-B16

6. FINISHES:

CENTER CONTACT-GOLD PLATE PER MIL-G-45204
 LOCKWASHER
 NUTS
 COLLET
 OUTER BODIES
 BODY RING
 ALL OTHER METAL PARTS-SILVER PLATE PER QQ-S-365

} KINGS TARNISH RESISTANT NICKEL FINISH (TR-5)

7. ELECTRICAL CHARACTERISTICS:

NOMINAL IMPEDANCE: 75 OHMS
 FREQUENCY RANGE: DC-500 MHZ
 VOLTAGE BREAKDOWN: CENTER CONDUCTOR/INNER GROUND: 1500 VRMS
 INNER GROUND/OUTER GROUND: 500 VRMS

SCALE 2:1
APPROX SURFACE AREA
USED ON
REF: KP-8012-737-400
PLUG, BULKHEAD, TRI-LOC SERIAL DIGITAL
DRAWN KH 04/13/95
DESIGN DW 07/17/95
APPR. DATE



7702-2