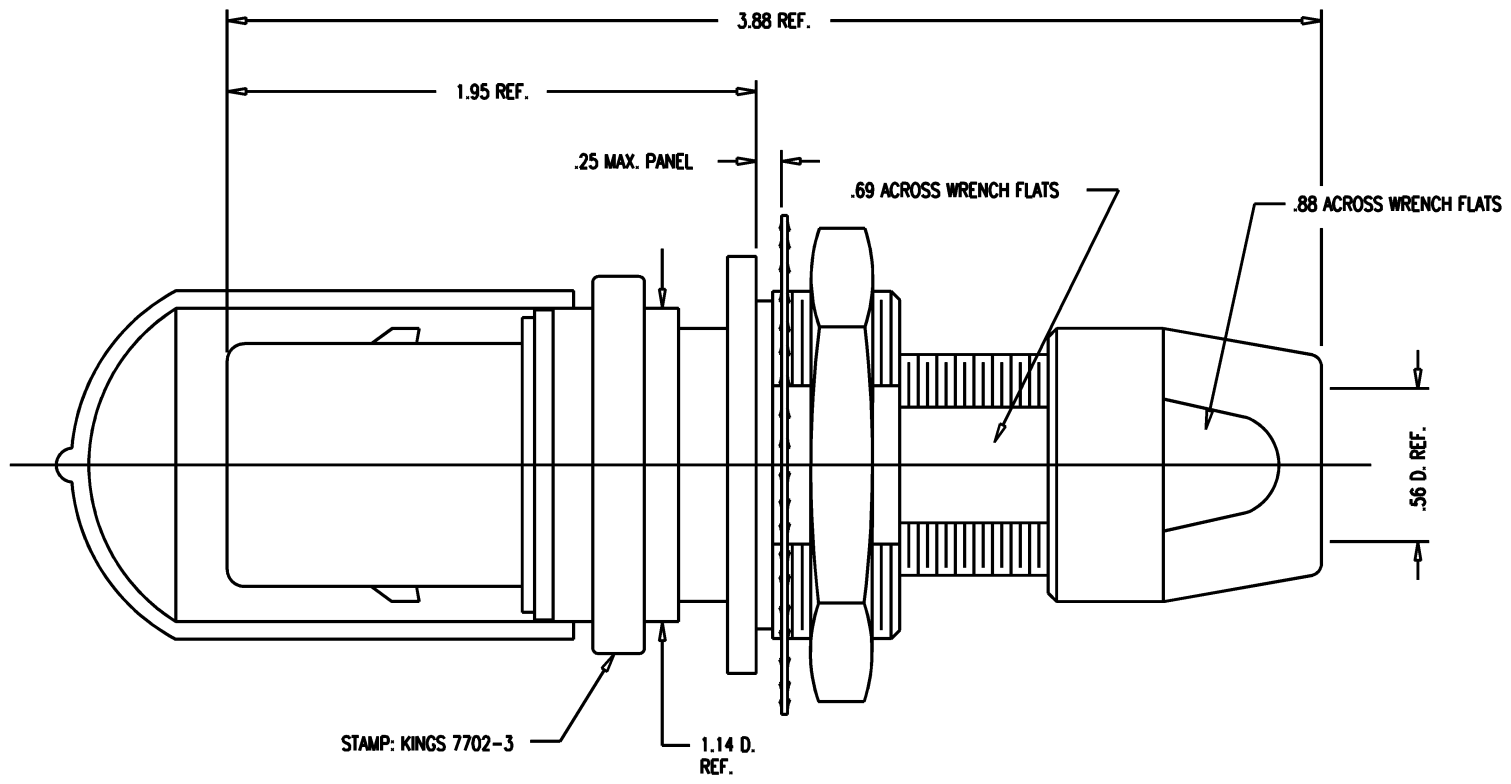


DASH NO.	M CODE	MADE FROM
----------	--------	-----------

GSD

7702-3

REVISIONS	
ISSUE	CHANGES
0	ER 35429 KH 04/17/95
1	CN 36678 A KH 11/07/95



GSD

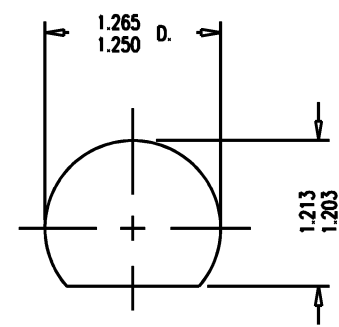
KAM5553

SCALE 2:1	
APPROX SURFACE AREA	
USED ON	
REF: KP-8012-747-400	
PL, BKHD, TRI-LOC SERIAL DIGITAL	
DRAWN KH	04/17/95
DESIGN DW	04/18/95
APPR.	DATE
 ELECTRONICS CO., INC. TUCKAHOE, NEW YORK 10707	

NOTES:

- FOR USE WITH 740 CABLE GROUP.
- FOR CABLING INSTRUCTIONS SEE KAI-8010.
- FOR CRIMPING USE DIE SIZE KTH-2041.
- MATERIALS:
 - INSULATORS: TEFLON, ASTM-D-4894
 - LOCKWASHER: SPRING STEEL, PER ASTM-A682
 - CONDUCTIVE GASKET: CONSIL C 87-10004, 60-70 DUROMETER
 - GASKETS: SILICONE RUBBER, ZZ-R-765
 - CAP: VINYL
 - K-GRIP SLEEVE: COM'L BRONZE, ASTM-B-140
 - OUTER CONTACT: PHOSPHOR BRONZE, ASTM-B-103
 - BODY: BER. COPPER, ASTM-B-196
 - ALL OTHER METAL PARTS: BRASS, ASTM-B16

- FINISHES:
 - CENTER CONTACT: GOLD PLATE PER MIL-G-45204
 - LOCKWASHER
 - NUTS
 - COLLET
 - OUTER BODIES
 - BODY RING
 } KINGS TARNISH RESISTANT NICKEL FINISH (TR-5)
- ELECTRICAL CHARACTERISTICS:
 - NOMINAL IMPEDANCE: 75 ~W
 - FREQUENCY RANGE: DC-500 MHZ
 - VOLTAGE BREAKDOWN: CENTER CONDUCTOR/INNER GROUND: 1500 VRMS
 - INNER GROUND/OUTER GROUND: 500 VRMS



MOUNTING HOLE

7702-3