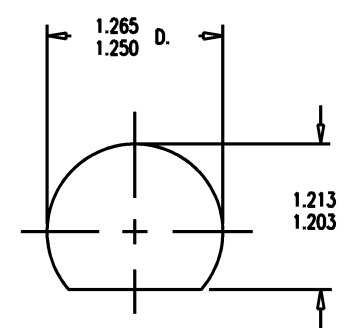
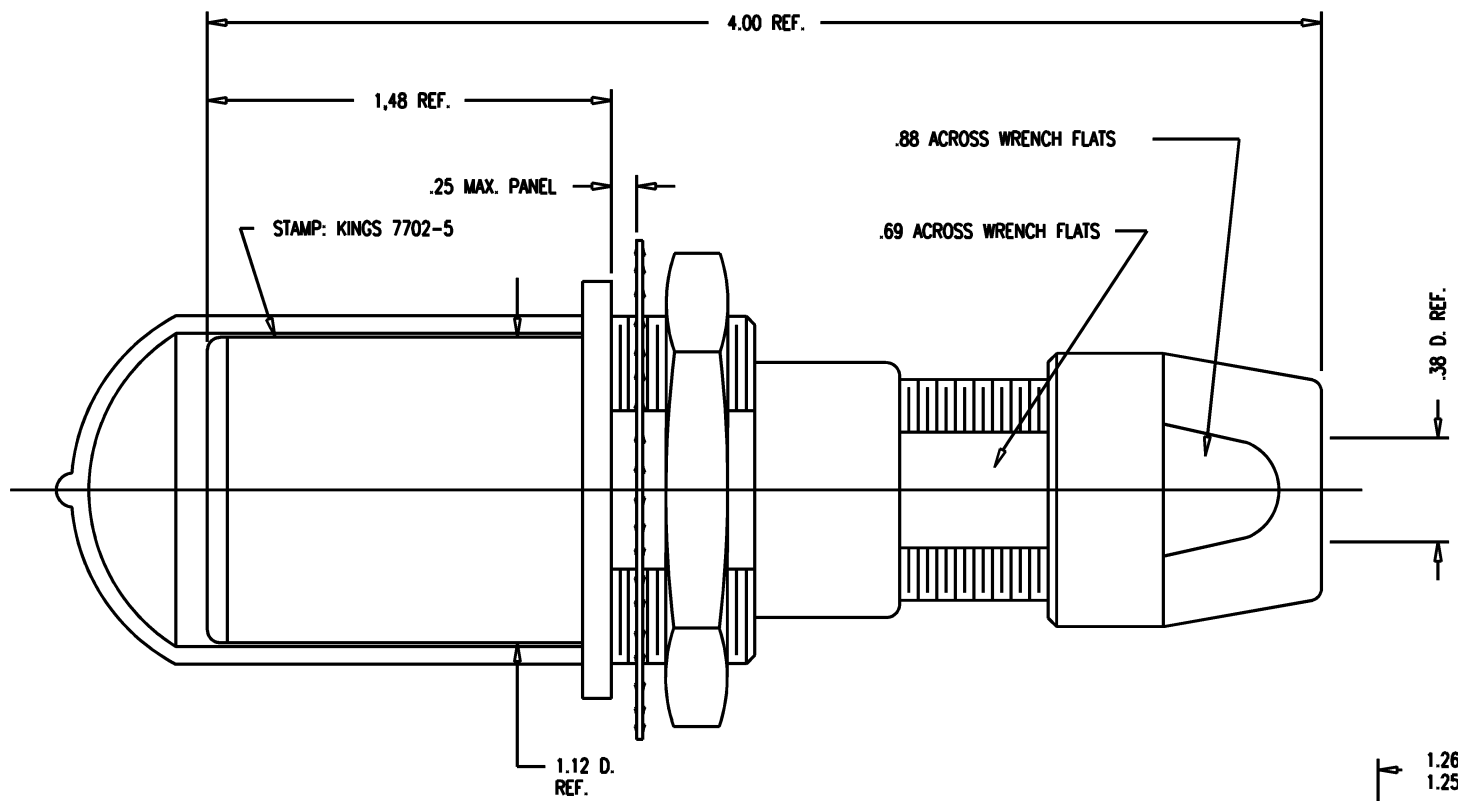


DASH NO.	M CODE	MADE FROM
----------	--------	-----------

# GSD

7702-5

REVISIONS	
ISSUE	CHANGES
0	ER 35431 KH 04/17/95
1	CN 37238 D KH 02/03/97
2	CN 39206 C HVN 01/15/05
3	CN 39531 C AM 07/12/06



MOUNTING HOLE

# GSD

**NOTES:**

1. FOR USE WITH 730 CABLE GROUPS.
2. FOR CABLING INSTRUCTIONS SEE KAI-8010.
3. FOR CABLE TRIMMING USE KTJ-303 AND KTD-303.
4. FOR CRIMPING USE DIE KTH-2002.

**5. MATERIALS:**

- INSULATORS-TEFLON, ASTM-D-8494
- LOCKWASHER-SPRING STEEL, PER ASTM A682
- GASKETS-SILICONE RUBBER, ZZ-R-765
- CAP-VINYL
- K-GRIP SLEEVE-COMMERCIAL BRONZE, ASTM-B-135
- CENTER CONTACT
- OUTER CONTACT SPRING } BER. COP., ASTM-B-196
- INSERT
- ALL OTHER METAL PARTS-BRASS, ASTM-B16

**6. FINISHES:**

- CENTER CONTACT
- OUTER CONTACT SPRING } GOLD PLATE PER MIL-G-45204
- LOCKWASHER
- NUTS
- COLLET
- BODIES } KINGS TARNISH RESISTANT NICKEL FINISH (TR-5)

**7. ELECTRICAL CHARACTERISTICS:**

- NOMINAL IMPEDANCE: 75 OHMS
- FREQUENCY RANGE: DC-500 MHZ
- VOLTAGE BREAKDOWN: CENTER CONDUCTOR/INNER GROUND: 1500 VRMS
- INNER GROUND/OUTER GROUND: 500 VRMS

SCALE 2:1	
APPROX SURFACE AREA	
USED ON	
REF: KP-8022-737-400	
JACK, BULKHEAD, TRI-LOC SERIAL DIGITAL	
DRAWN KH	DATE 04/17/95
DESIGN DW	DATE 04/18/95
APPR.	DATE



7702-5