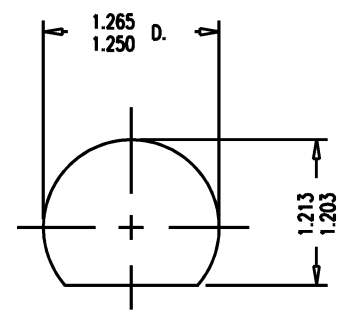
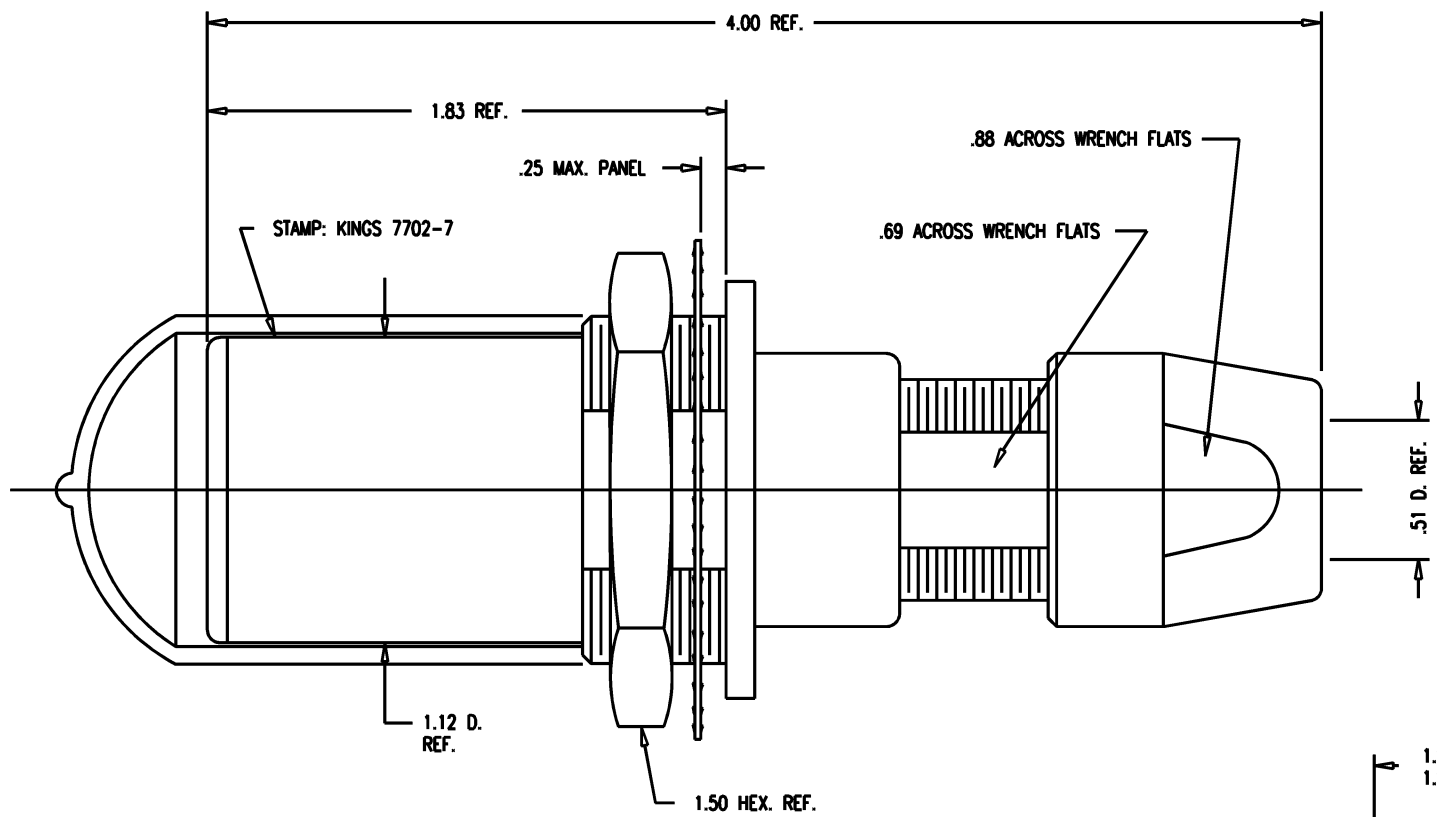


DASH NO.	M CODE	MADE FROM
----------	--------	-----------

GSD

7702-7

REVISIONS	
ISSUE	CHANGES
0	ER 35433 KH 04/17/95
1	CN 37238 D KH 02/03/97



MOUNTING HOLE

GSD

NOTES:

- FOR USE WITH 700 CABLE GROUPS.
- FOR CABLING INSTRUCTIONS SEE KAI-8010.
- FOR CABLE TRIMMING USE KTJ-300 AND KTD-300.
- FOR CRIMPING USE DIE KTH-2040.
- MATERIALS:
 - INSULATORS-TEFLON, ASTM-D-4894
 - LOCKWASHER-SPRING STEEL, ASTM-A-682
 - GASKETS-SILICONE RUBBER, ZZ-R-765
 - CAP-VINYL
 - K-GRIP SLEEVE-COMMERCIAL BRONZE, ASTM-B-135
 - CENTER CONTACT } BER. COP., ASTM-B-196
 - OUTER CONTACT SPRING }
 - INSERT
 - ALL OTHER METAL PARTS-BRASS, ASTM-B16

- FINISHES:
 - CENTER CONTACT } GOLD PLATE PER MIL-G-45204
 - OUTER CONTACT SPRING }
 - LOCKWASHER }
 - NUTS } KINGS TARNISH RESISTANT FINISH (TR-5)
 - COLLET }
 - BODIES }
 - ALL OTHER METAL PARTS-SILVER PLATE PER QQ-S-365
- ELECTRICAL CHARACTERISTICS:
 - NOMINAL IMPEDANCE: 75 OHMS
 - FREQUENCY RANGE: DC-500 MHZ
 - VOLTAGE BREAKDOWN: CENTER CONDUCTOR/INNER GROUND: 1500 VRMS
 - INNER GROUND/OUTER GROUND: 500 VRMS

KAM5565

SCALE 2:1
APPROX SURFACE AREA
USED ON
REF: KP-8021-707-400
JACK, BULKHEAD, TRI-LOC SERIAL DIGITAL
DRAWN KH DATE 04/17/95
DESIGN DW DATE 04/18/95
APPR. DATE

KINGS
ELECTRONICS CO., INC.
TUCKAHOE, NEW YORK 10707

7702-7