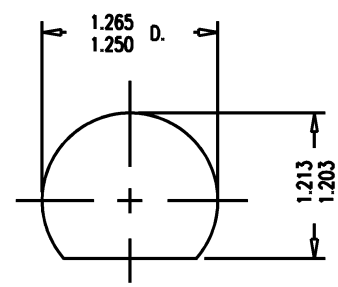
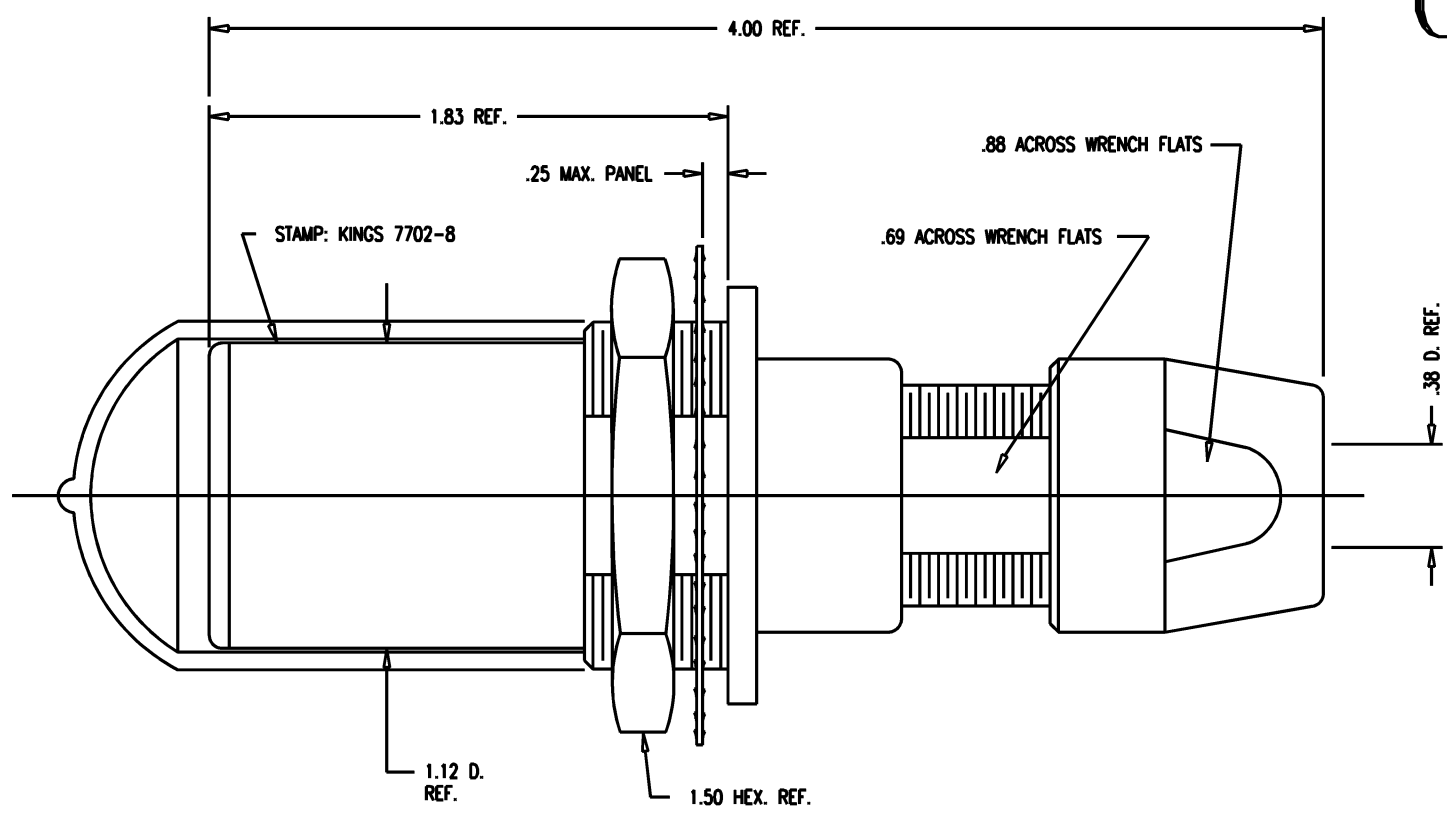


DASH NO.	M CODE	MADE FROM
----------	--------	-----------

GSD

7702-8

REVISIONS	
ISSUE	CHANGES
0	ER 35434 KH 04/17/95
1	CN 37238 D KH 02/03/97
2	CN 39531 C AM 07/12/06
3	CN 39576 E AM 08/16/06



MOUNTING HOLE

GSD

NOTES:

- FOR USE WITH 730 CABLE GROUP.
- FOR CABLING INSTRUCTIONS SEE KAI-8010.
- FOR CABLE TRIMMING USE KTJ-303 AND KTD-303.
- FOR CRIMPING USE DIE KTH-2002.

5. MATERIALS:
- INSULATORS-TEFLON, ASTM-D-1457
 - LOCKWASHER-SPRING STEEL, ASTM-A-682
 - GASKETS-SILICONE RUBBER, ZZ-R-765
 - CAP-VINYL
 - K-GRIP SLEEVE-COMMERCIAL BRONZE, ALLOY 220
 - CENTER CONTACT
 - OUTER CONTACT SPRING } BER. COP., ASTM-B-196
 - INSERT
 - ALL OTHER METAL PARTS-BRASS, QQ-B-626

6. FINISHES:
- CENTER CONTACT
 - OUTER CONTACT SPRING } GOLD PLATE PER MIL-G-45204
 - LOCKWASHER
 - NUTS
 - COLLET
 - BODIES } KINGS TARNISH RESISTANT FINISH (TR-5)
 - ALL OTHER METAL PARTS-SILVER PLATE PER QQ-S-365
7. ELECTRICAL CHARACTERISTICS:
- NOMINAL IMPEDANCE: 75 OHMS
 - FREQUENCY RANGE: DC-500 MHZ
 - VOLTAGE BREAKDOWN: CENTER CONDUCTOR/INNER GROUND: 1500 VRMS
 - INNER GROUND/OUTER GROUND: 500 VRMS

SCALE 2:1	
APPROX SURFACE AREA	
USED ON	
REF: KP-8021-737-400	
JACK, BULKHEAD, TRI-LOC SERIAL DIGITAL	
DRAWN KH	DATE 04/17/95
DESIGN DW	DATE 04/18/95
APPR.	DATE
 ROCK HILL, SOUTH CAROLINA 29730	
7702-8	