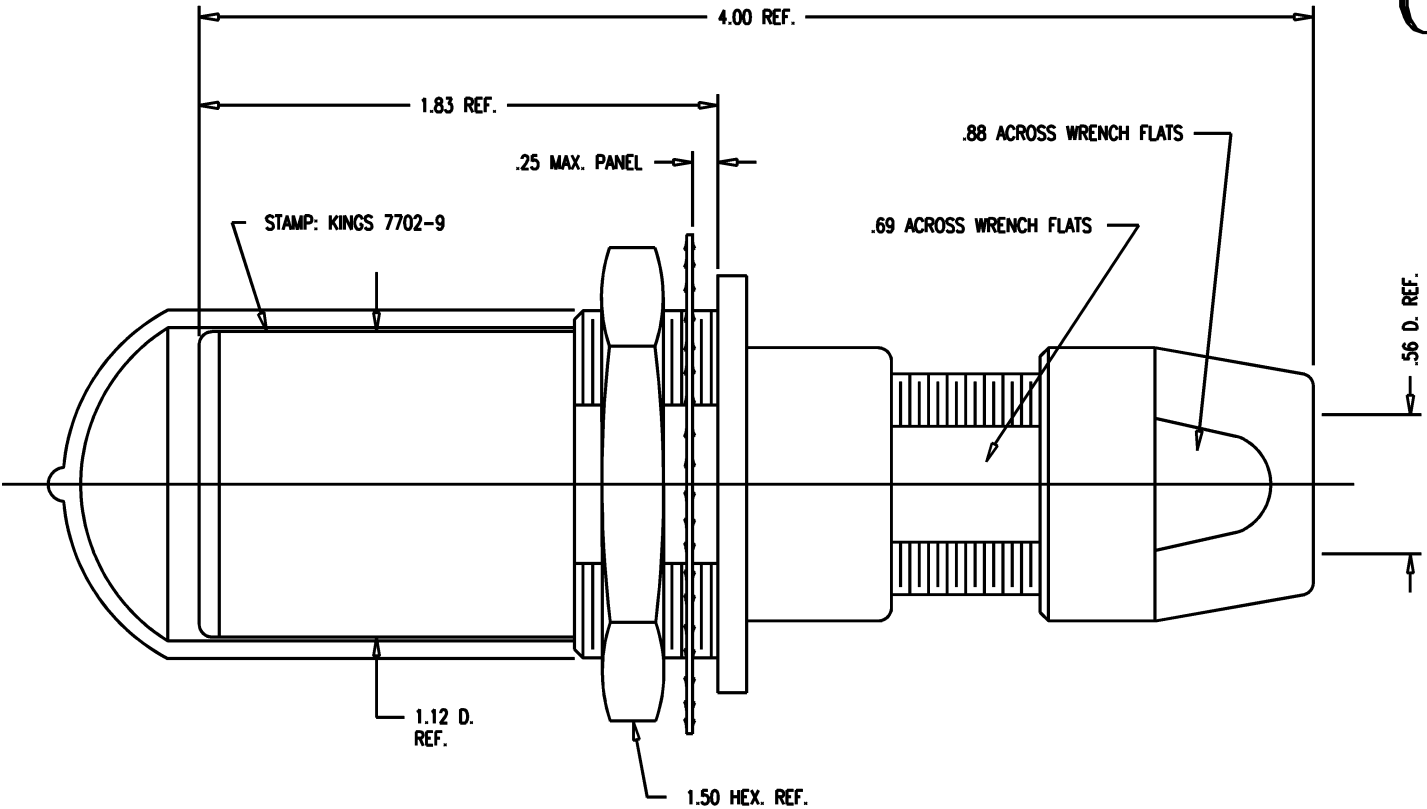


DASH NO.	M CODE	MADE FROM
----------	--------	-----------

GSD



7702-9

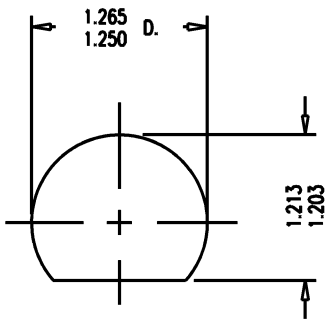
REVISIONS	
ISSUE	CHANGES
0	ER 35435 KH 04/17/95
1	CN 37238 D KH 02/03/97
2	CN 37289 A KH 03/13/97

KAM5573

NOTES:

- FOR USE WITH 740 CABLE GROUP.
- FOR CABLING INSTRUCTIONS SEE KAI-8010.
- FOR CABLE TRIMMING USE KTJ-300 AND KTD-304.
- FOR CRIMPING USE DIE KTH-2041.
- MATERIALS:
 INSULATORS-TEFLON, ASTM-D-4894
 LOCKWASHER-SPRING STEEL, ASTM-A-682
 GASKETS-SILICONE RUBBER, ZZ-R-765
 CAP-VINYL
 K-GRIP SLEEVE-COMMERCIAL BRONZE, ASTM-B-135
 CENTER CONTACT
 OUTER CONTACT SPRING } BER. COP., ASTM-B-196
 INSERT
 ALL OTHER METAL PARTS-BRASS, ASTM-B16

- FINISHES:
 CENTER CONTACT } GOLD PLATE PER MIL-G-45204
 OUTER CONTACT SPRING }
 LOCKWASHER }
 NUTS } KINGS TARNISH RESISTANT NICKEL FINISH (TR-5)
 COLLET }
 OUTER BODIES }
 ALL OTHER METAL PARTS-SILVER PLATE PER QQ-S-365
- ELECTRICAL CHARACTERISTICS:
 NOMINAL IMPEDANCE: 75 OHMS
 FREQUENCY RANGE: DC-500 MHZ
 VOLTAGE BREAKDOWN: CENTER CONDUCTOR/INNER GROUND: 1500 VRMS
 INNER GROUND/OUTER GROUND: 500 VRMS



GSD MOUNTING HOLE

SCALE 2:1	
APPROX SURFACE AREA	
USED ON	
REF: KP-8021-747-400	
JK, BKHD, TRI-LOC SERIAL DIGITAL	
DRAWN KH	DATE 04/17/95
DESIGN DW	DATE 04/18/95
APPR.	DATE
KINGS ELECTRONICS CO., INC. TUCKAHOE, NEW YORK 10707	
7702-9	