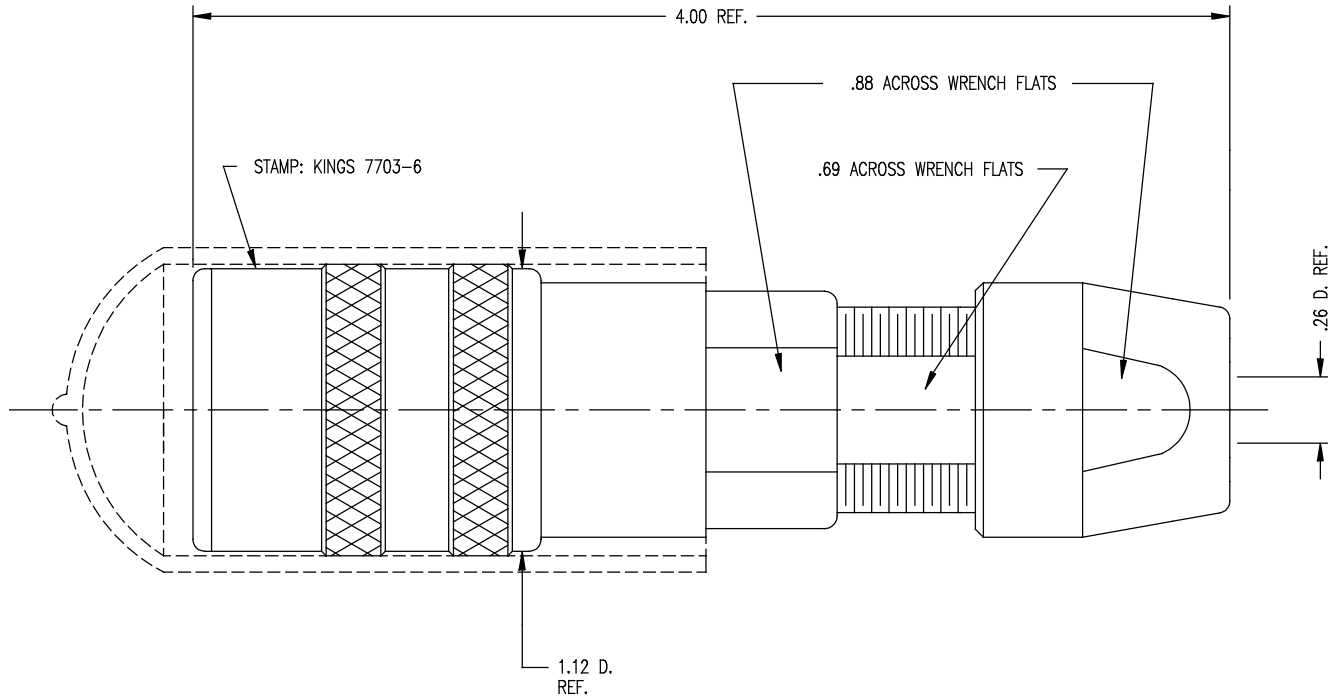


DASH NO.	M CODE	MADE FROM
----------	--------	-----------

GSD

7703-6

REVISIONS	
ISSUE	CHANGES
0	ER 37089 KH 08/08/96
1	CN 37238 D KH 02/03/97
2	CN 38024 E HVN 07/06/00



NOTES:

- FOR USE WITH BELDEN 88232 & COMM SCOPE 8000257 (780 CABLE GROUP).
- FOR CABLING INSTRUCTIONS SEE KAI-8010.
- FOR CRIMPING USE DIE SIZE KTH-2002.
- MATERIALS:
 INSULATORS: TEFLON, ASTM-D-4894
 GASKETS: SILICONE RUBBER, ZZ-R-765
 CAP: VINYL
 K-GRIP SLEEVE: COM'L BRONZE, ASTM-B-135
 CENTER CONTACT }
 OUTER CONTACT SPRING } BER. COPPER, ASTM-B-196
 INSERT }
 ALL OTHER METAL PARTS: BRASS, ASTM-B16

- FINISHES:
 CENTER CONTACT }
 OUTER CONTACT SPRING } GOLD PLATE PER MIL-G-45204
 NUTS }
 COLLET } KINGS TARNISH RESISTANT NICKEL FINISH (TR-5)
 BODIES }
 ALL OTHER METAL PARTS: SILVER PLATE PER QQ-S-365
- ELECTRICAL CHARACTERISTICS:
 NOMINAL IMPEDANCE: 75 ~W
 FREQUENCY RANGE: DC-500 MHZ
 VOLTAGE BREAKDOWN: CENTER CONDUCTOR/INNER GROUND: 1500 VRMS
 INNER GROUND/OUTER GROUND: 500 VRMS

KAM6259

SCALE 2:1	
APPROX SURFACE AREA	
WAS: E-19092	
USED ON	
REF:	
JACK, TRI-LOC, SERIAL DIGITAL	
DRAWN KH	DATE 12/01/95
DESIGN FD	DATE 12/02/95
APPR. FD	DATE 12/11/95

KINGS
ELECTRONICS CO., INC.
TUCKAHOE, NEW YORK 10707

GSD

7703-6