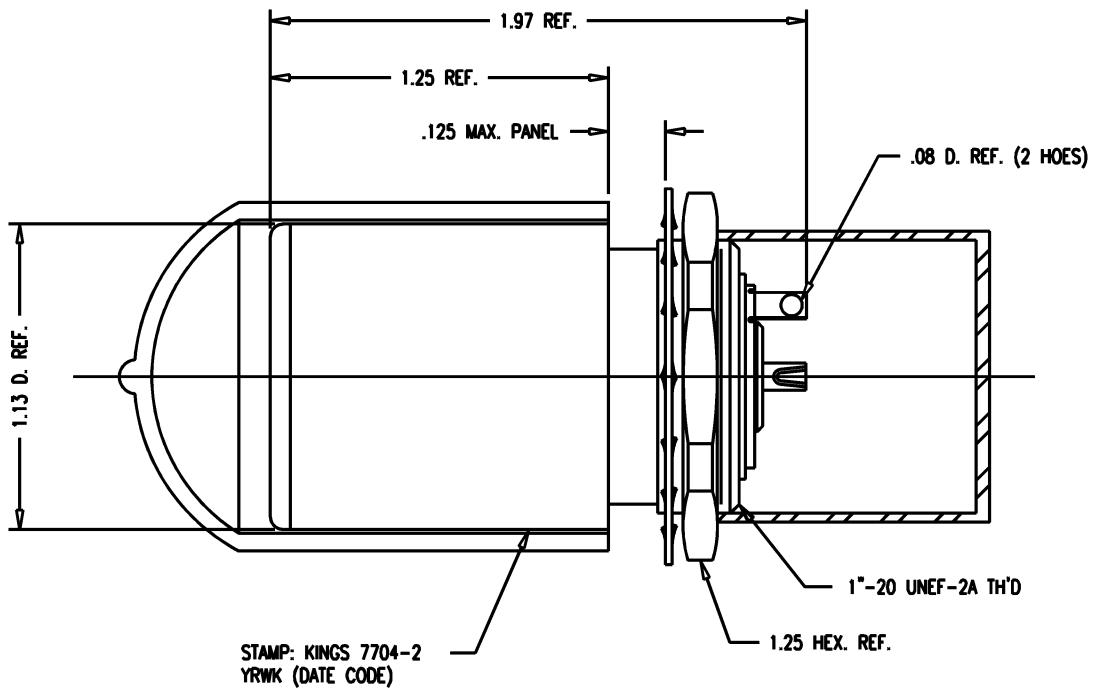


DASH NO.	M CODE	MADE FROM
----------	--------	-----------

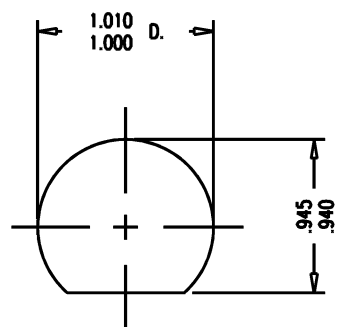
SD



STAMP: KINGS 7704-2
YRWK (DATE CODE)

NOTES:

- MATERIALS:
 - INSULATORS-TEFLON, ASTM-D-4894
 - CAP-VINYL
 - CENTER CONTACT
 - OUTER CONTACT SPRING } BER. COP., ASTM-B-196
 - INSERT
 - LOCKWASHER-PHOSPHOR BRONZE, ASTM-B-103
 - ALL OTHER METAL PARTS-BRASS, ASTM-B16
- FINISHES:
 - OUTER CONTACT SPRING } GOLD PLATE PER MIL-G-45204
 - CENTER CONTACT
 - ALL OTHER METAL PARTS-KINGS TARNISH RESISTANT NICKEL FINISH (TR-5)
- ELECTRICAL CHARACTERISTICS:
 - NOMINAL IMPEDANCE: 75 OHMS
 - FREQUENCY RANGE: DC-500 MHZ
 - VOLTAGE BREAKDOWN: CENTER CONDUCTOR/INNER GROUND: 1500 VRMS
 - INNER GROUND/OUTER GROUND: 500 VRMS



MOUNTING HOLE

SD

7704-2

REVISIONS	
ISSUE	CHANGES
0	ER 35437 KH 04/19/95
1	CN 36681 E KH 11/09/95
2	CN 36754 E ME 12/22/95
3	CN 37274 D PG 03/12/97
4	CN 37424 C MRM 08/26/97
5	CN 38122 C BDH 11/07/00

77042C

SCALE 2:1	
APPROX SURFACE AREA	
USED ON	
REF: KP-8060-002-000	
RECEPTACLE, BKHD, TRI-LOC SERIAL DIGITAL	
DRAWN KH	DATE 04/19/95
DESIGN DW	DATE 04/20/95
APPR.	DATE

KINGS
ELECTRONICS CO., INC.
ROCK HILL, SOUTH CAROLINA 29730

7704-2