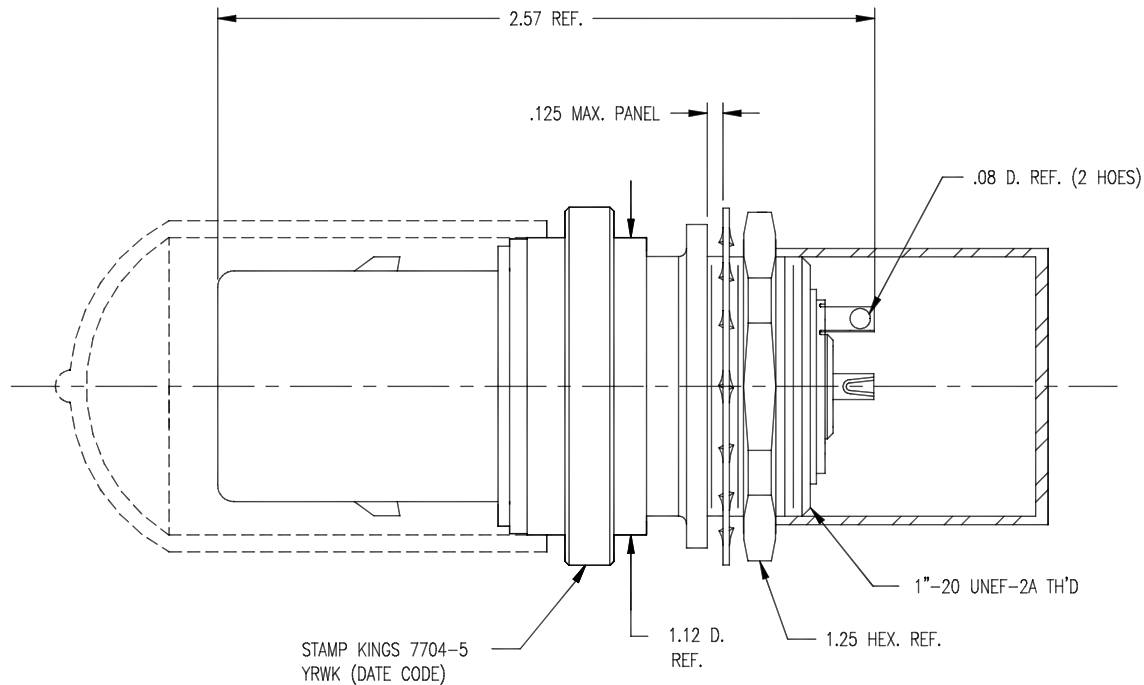


DASH NO.	M CODE	MADE FROM
----------	--------	-----------

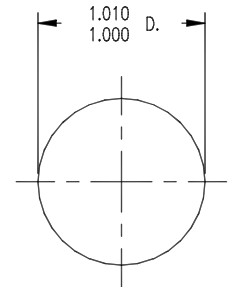
GSD



STAMP KINGS 7704-5
YRWK (DATE CODE)

- NOTES:
- MATERIALS:
 - CAPS: VINYL
 - INSULATORS: TEFLON, ASTM-D-4894
 - GASKETS: SILICONE RUBBER, ZZ-R-765
 - CONDUCTIVE GASKET: CONSIL C 87-10004, 60-70 DUROMETER
 - LOCKWASHER
 - RETAINING RING } SPRING STEEL, PER ASTM A682
 - E-RING }
 - OUTER CONTACT: PHOSPHOR BRONZE, ASTM-B-103
 - BODY: BER. COPPER, ASTM-B-196
 - ALL OTHER METAL PARTS: BRASS, ASTM-B16

- FINISHES:
 - CENTER CONTACTS: GOLD PLATE PER MIL-G-45204
 - ALL OTHER METAL PARTS: KINGS TARNISH RESISTANT NICKEL FINISH (TR-5)
- ELECTRIAL CHARACTERISTICS:
 - FREQUENCY RANGE: DC-500 MHZ
 - NOMINAL IMPEDANCE: 75 ~W
 - VOLTAGE BREAKDOWN: CENTER CONDUCTOR/INNER GROUND: 1500 VOLTS RMS
 - INNER GROUND/OUTER GROUND: 500 VOLTS RMS



MOUNTING HOLE

GSD

REVISIONS	
ISSUE	CHANGES
0	ER 36669 ME 11/01/95
1	CN 37209 A KH 06/10/97
2	CN 37786 D HVN 03/16/99
3	CN 38120 C BDH 11/07/00
4	CN 38137 C TML 01/05/01
F	REVISED PER ER17266 GGR 8/06/2009

7704-5

QGS0991

THIS DRAWING, THE DESIGNS AND IDEAS EMBODIED IN THE DEVICE TO WHICH IT RELATES, AND THE METHOD OF PRODUCING THE DEVICE, ARE THE PROPERTY OF WINCHESTER ELECTRONICS CORPORATION AND SHALL NOT BE EMPLOYED, COPIED, OR DISCLOSED TO ANYONE, IN ANY MANNER WITHOUT THE CONSENT OF WINCHESTER ELECTRONICS CORPORATION.

SCALE 2:1	
APPROX SURFACE AREA	
USED ON	
REF: KP-8050-002-000	
RCPT, BKHD, TRI-LOC, SERIAL DIGITAL	
DRAWN ME	DATE 11/01/95
DESIGN FD	DATE 11/01/95
APPR.	DATE

	Winchester Electronics 82 Barnes Industrial Road North Wallingford, CT 06492
--	---

7704-5