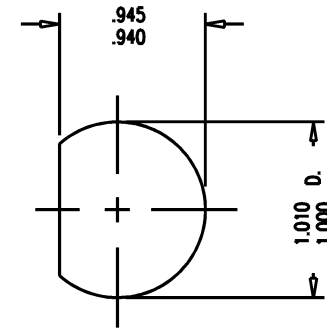
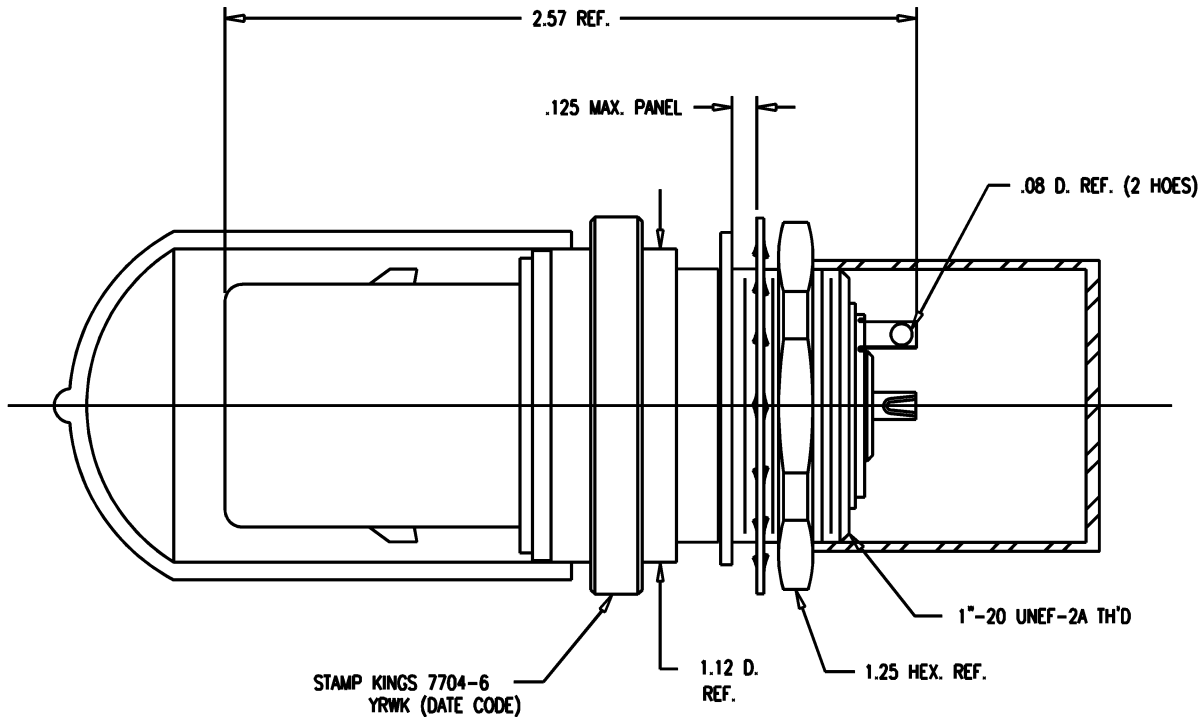


# GSD



MOUNTING HOLE

# GSD

REVISIONS	
ISSUE	CHANGES
0	ER 35436 KH 04/25/95
1	CN 36514 E ME 08/09/95
2	CN 37196 E KH 11/12/96
3	CN 37209 A KH 06/10/97
4	CN 37762 C HVN 01/19/99
5	CN 37779 D HVN 02/23/99
6	CN 38176 C TML 01/10/01

7704-6

WAS:  
KAM5611 7704-6S

SCALE 2:1

APPROX SURFACE AREA

USED ON

REF: KP-8050-002-000

RCPT, BKHD, TRI-LOC,  
SERIAL DIGITAL

DRAWN KH	DATE 04/25/95
DESIGN DW	DATE 04/26/95
APPR.	DATE

**KINGS**  
ELECTRONICS CO., INC.  
ROCK HILL, SOUTH CAROLINA 29730

7704-6

**NOTES:**

**1. MATERIALS:**

CAPS: VINYL  
 INSULATORS: TEFLON, ASTM-D-4894  
 GASKETS: SILICONE RUBBER, ZZ-R-765  
 CONDUCTIVE GASKET: CONSIL C 87-10004, 60-70 DUROMETER  
 LOCKWASHER }  
 RETAINING RING } SPRING STEEL, PER ASTM A682  
 E-RING }  
 OUTER CONTACT: PHOSPHOR BRONZE, ASTM-B-103  
 BODY: BER. COPPER, ASTM-B-196  
 ALL OTHER METAL PARTS: BRASS, ASTM-B16

**2. FINISHES:**

CENTER CONTACTS: GOLD PLATE PER MIL-G-45204  
 ALL OTHER METAL PARTS: KINGS TARNISH RESISTANT NICKEL FINISH (TR-5)

**3. ELECTRICAL CHARACTERISTICS:**

FREQUENCY RANGE: DC-500 MHZ  
 NOMINAL IMPEDANCE: 75 ~W  
 VOLTAGE BREAKDOWN: CENTER CONDUCTOR/INNER GROUND: 1500 VOLTS RMS  
 INNER GROUND/OUTER GROUND: 500 VOLTS RMS