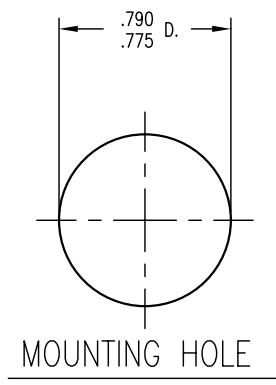
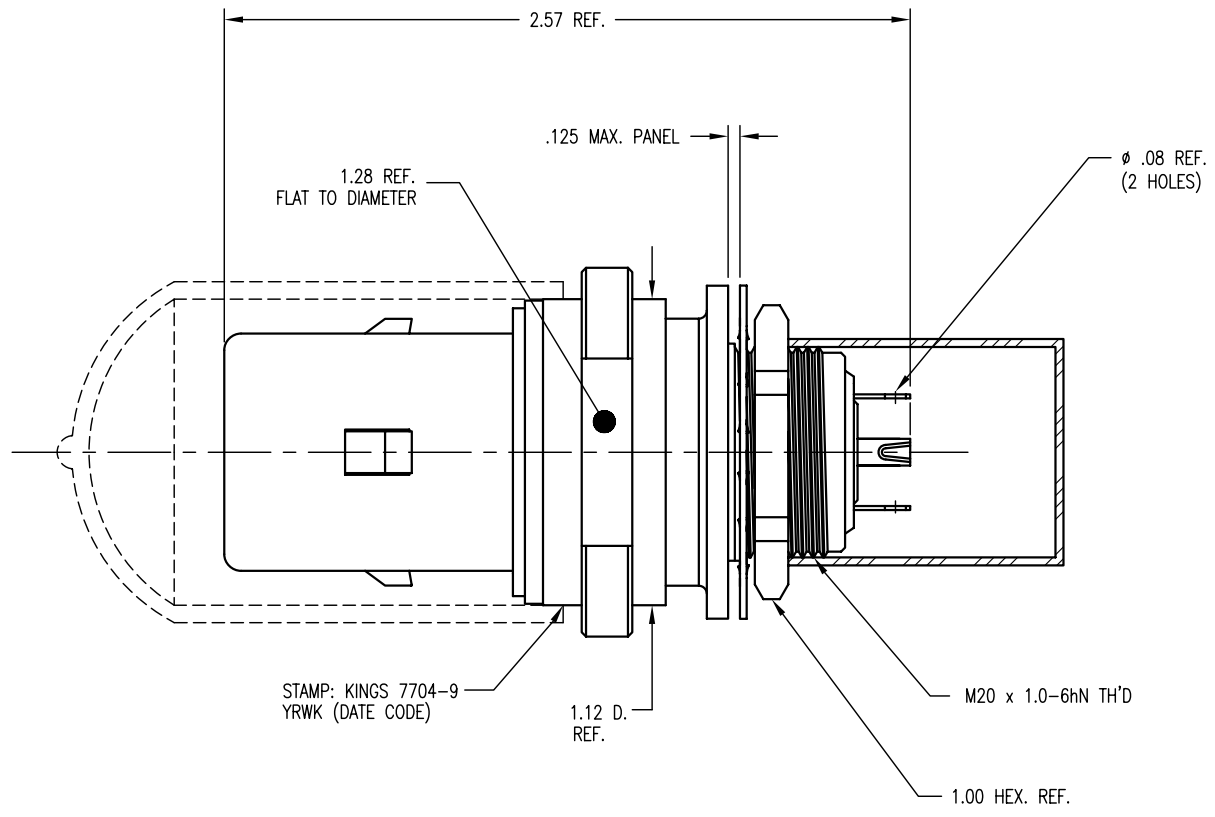


DASH NO. M CODE MADE FROM



- NOTES:
- MATERIALS:**

 - CAPS: VINYL
 - INSULATORS: TEFLON, ASTM-D-4894
 - GASKETS: SILICONE RUBBER, ZZ-R-765
 - CONDUCTIVE GASKET: CONSIL C 87-10004, 60-70 DUROMETER
 - LOCKWASHER } SPRING STEEL, PER ASTM A682
 - RETAINING RING }
 - E-RING }
 - OUTER CONTACT: PHOSPHOR BRONZE, ASTM-B-103
 - BODY: BER. COPPER, ASTM-B-196
 - ALL OTHER METAL PARTS: BRASS, ASTM-B16
 - FINISHES:**

 - CENTER CONTACTS: GOLD PLATE PER MIL-G-45204
 - ALL OTHER METAL PARTS: KINGS TARNISH RESISTANT NICKEL FINISH (TR-5)
 - ELECTRIAL CHARACTERISTICS:**

 - FREQUENCY RANGE: DC-500 MHZ
 - NOMINAL IMPEDANCE: 75 ~W
 - VOLTAGE BREAKDOWN: CENTER CONDUCTOR/INNER GROUND: 1500 VOLTS RMS
 - INNER GROUND/OUTER GROUND: 500 VOLTS RMS

SD7704-9 (SHEET 1 OF 3)

REVISIONS	
ISSUE	CHANGES
0	ER 39004 JPK 01/28/04
B	REVISED PER ER27361 GGR 09/13/10

7704-9S

CUSTOMER
SALES DRAWING

SCALE 2:1

APPROX SURFACE AREA

USED ON

REF: EQR 591 & E-20167

RCPT, BKHD, TRI-LOC
SERIAL DIGITAL

DRAWN J. KENNEDY	DATE 02/18/03
DESIGN J. KENNEDY	DATE 02/18/03
APPR.	DATE

by WINCHESTER

Winchester Electronics
62 Barnes Industrial
Road North
Wallingford, CT 06492

SD7704-9 (SHEET 1 OF 3)