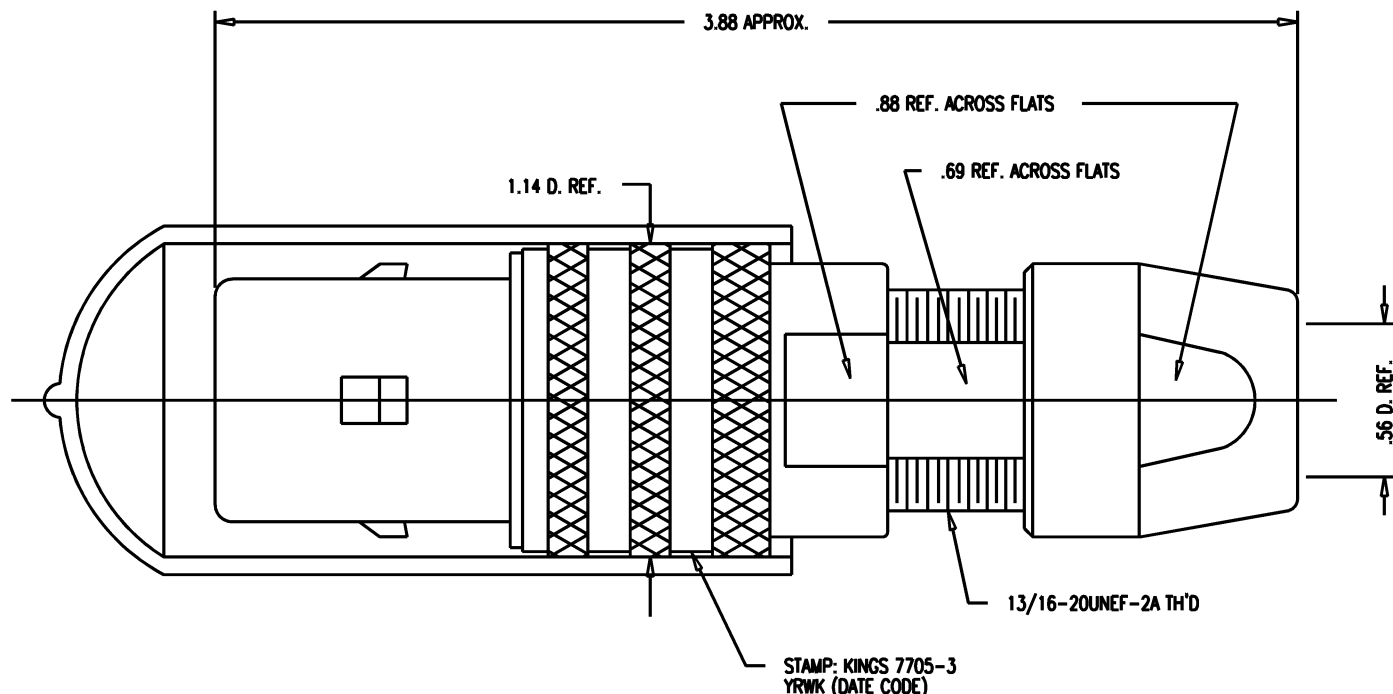


DASH NO.	M CODE	MADE FROM
----------	--------	-----------

# GSD

7705-3

REVISIONS	
ISSUE	CHANGES
0	ER 35417 KH 05/06/95
1	CN 38123 C BDH 11/08/00



**NOTES:**

- FOR USE WITH 740 CABLE GROUP.
- FOR CABLING INSTRUCTIONS SEE KAI-8010.
- FOR CABLE TRIMMING USE KTJ-300 AND KTD-304
- FOR CRIMPING USE DIE KTH-1000 AND KTH-2041.
- MATERIALS:  
INSULATORS: TEFLON, ASTM-D-4894  
CONDUCTIVE GASKET: CONSIL C 87-10004  
GASKETS: SILICONE RUBBER, ZZ-R-765  
K-GRIP SLEEVE: COM. BRONZE, ASTM-B-135  
OUTER CONTACT: PHOSPHOR BRONZE, QQ-B-750  
FINGER BODY: BER. COPPER, ASTM-B-196  
CENTER CONTACT TIP: DELRIN  
CAP: VINYL  
ALL OTHER METAL PARTS: BRASS, ASTM-B16

- FINISHES:  
CENTER CONTACT: HARD GOLD PLATE, PER MIL-G-45204  
NUT  
COLLET  
OUTER BODIES } KINGS TARNISH RESISTANT NICKEL FINISH (TR-5)  
ALL OTHER METAL PARTS: SILVER PLATE, PER QQ-S-365
- ELECTRICAL CHARACTERISTICS:  
NOMINAL IMPEDANCE: 75 OHMS  
FREQUENCY RANGE: DC-500 MHZ  
VOLTAGE BREAKDOWN: CENTER CONDUCTOR/INNER GROUND: 1500 VRMS  
INNER GROUND/OUTER GROUND: 500 VRMS

KAM5508

SCALE 2:1
APPROX SURFACE AREA
USED ON
REF: KP-8010-740-400
PLUG, TRI-LOC (SERIAL DIGITAL)
DRAWN KH 04/06/95
DESIGN DW 04/07/95
APPR. DATE

**KINGS**  
ELECTRONICS CO., INC.  
ROCK HILL, SOUTH CAROLINA 29730

7705-3

# GSD