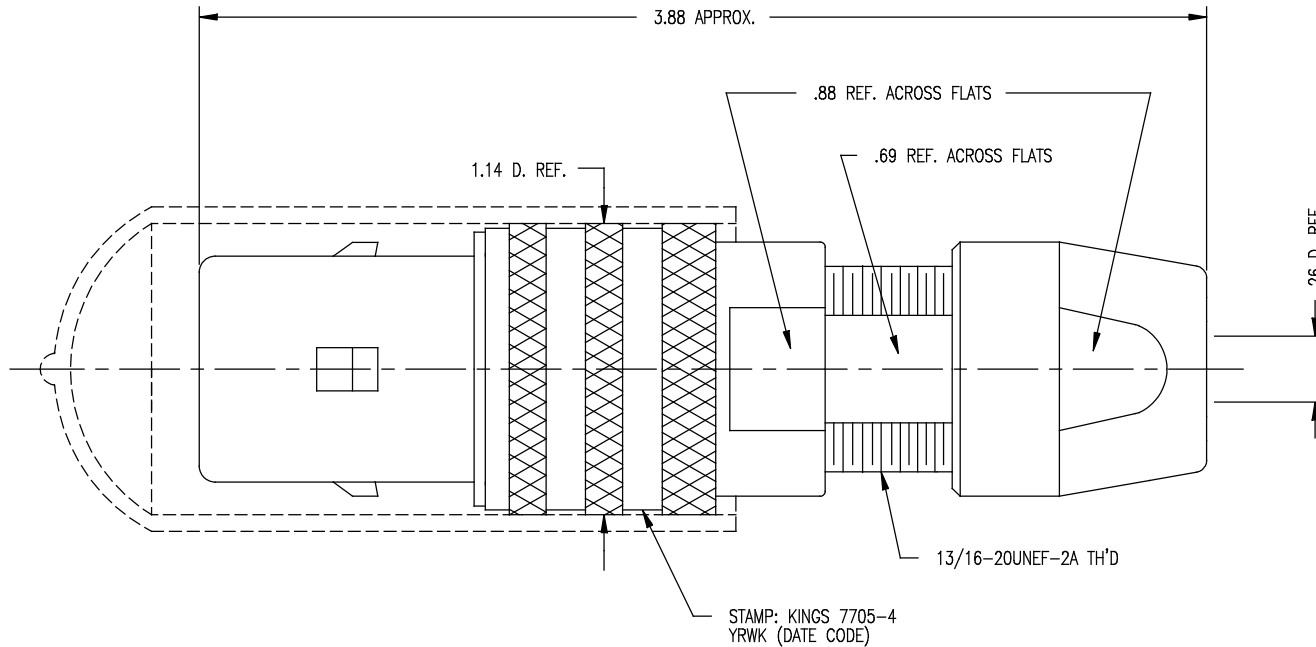


| | | |
|----------|--------|-----------|
| DASH NO. | M CODE | MADE FROM |
|----------|--------|-----------|

GSD

7705-4

| REVISIONS | |
|-----------|----------------------------|
| ISSUE | CHANGES |
| 0 | ER 37088 KH 08/07/96 |
| 1 | CN 38024 E HVN 07/06/00 |
| 2 | CN 38122 C BDH 11/08/00 |



KAM6260

| | |
|-----------------------------------|---------------|
| SCALE 2:1 | |
| APPROX SURFACE AREA | |
| WAS: E-19091 | |
| USED ON | |
| REF: | |
| PLUG, TRI-LOC (SERIAL DIGITAL) | |
| DRAWN KH | DATE 12/01/95 |
| DESIGN FD | DATE 12/02/95 |
| APPR. FD | DATE 12/11/95 |

NOTES:

- FOR USE WITH BELDEN 88232 & COMM SCOPE 8000257 (780 CABLE GROUP).
- FOR CABLING INSTRUCTIONS SEE KAI-8010.
- FOR CRIMPING USE DIE KTH-2002.
- MATERIALS:
INSULATORS: TEFLON, ASTM-D-4894
CONDUCTIVE GASKET: CONSIL C 87-10004
GASKETS: SILICONE RUBBER, ZZ-R-765
K-GRIP SLEEVE: COM. BRONZE TUBE, ASTM-B-135
OUTER CONTACT: PHOSPHOR BRONZE, ASTM-B-103
FINGER BODY: BER. COPPER, ASTM-B-196
CENTER CONTACT TIP: DELRIN
CAP: VINYL
ALL OTHER METAL PARTS: BRASS, ASTM-B16

- FINISHES:
CENTER CONTACT: HARD GOLD PLATE, PER MIL-G-45204
NUT } KINGS TARNISH RESISTANT NICKEL FINISH (TR-5)
COLLET }
OUTER BODIES }
ALL OTHER METAL PARTS: SILVER PLATE, PER QQ-S-365
- ELECTRICAL CHARACTERISTICS:
NOMINAL IMPEDANCE: 75 OHMS
FREQUENCY RANGE: DC-500 MHZ
VOLTAGE BREAKDOWN: CENTER CONDUCTOR/INNER GROUND: 1500 VRMS
INNER GROUND/OUTER GROUND: 500 VRMS

GSD

KINGS
ELECTRONICS CO., INC.
ROCK HILL, SOUTH CAROLINA 29730

7705-4