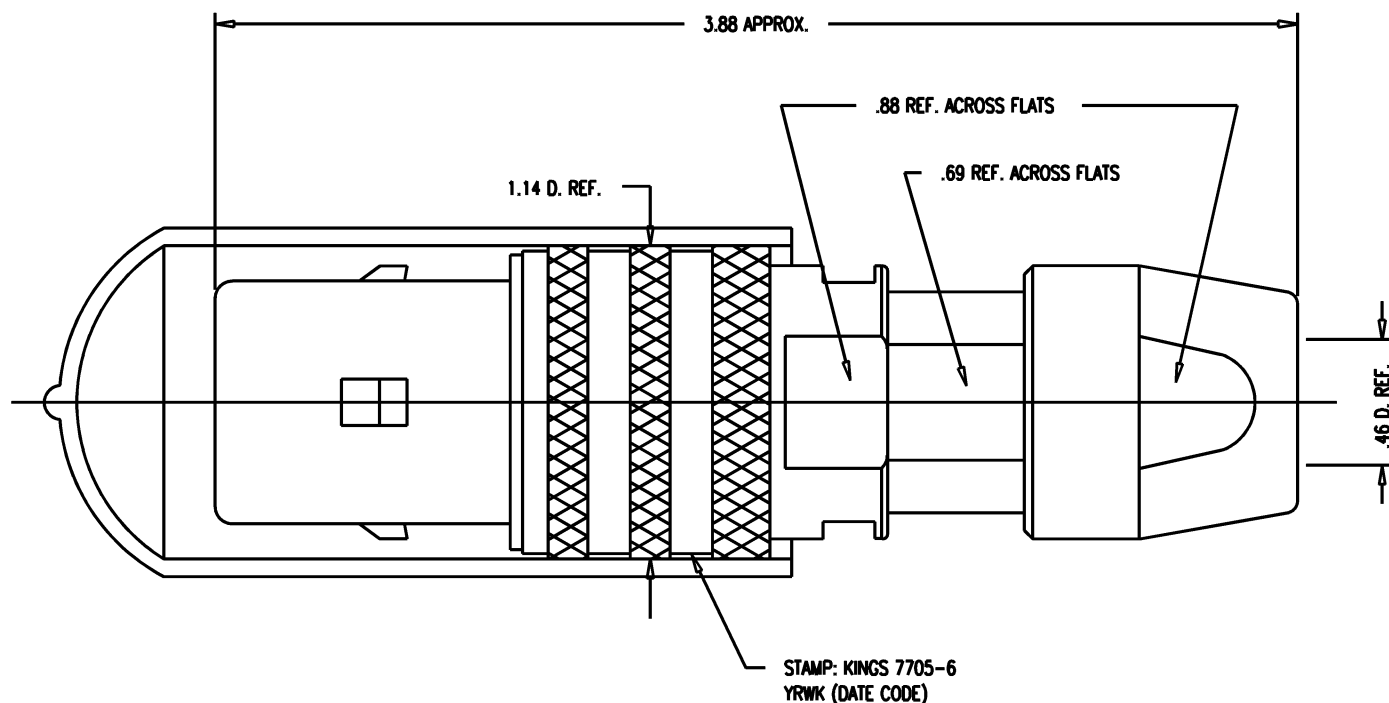


DASH NO.	M CODE	MADE FROM
----------	--------	-----------

GSD

7705-6

REVISIONS	
ISSUE	CHANGES
0	ER 36986 KH 05/29/96
1	CN 37012 E KH 06/18/96
2	CN 38122 C BDH 11/07/00
3	CN 38154 C BDH 12/14/00



NOTES:

- FOR USE WITH BELDEN 1859A (79 CABLE GROUP).
- FOR CABLING INSTRUCTIONS SEE KAI-8011.
- FOR CRIMPING USE DIE KTH-2040.
- MATERIALS:
INSULATORS: TEFLON, ASTM-D-1457
CONDUCTIVE GASKET: CONSIL C 87-10004
GASKETS: SILICONE RUBBER, ZZ-R-765
K-GRIP SLEEVE: COM. BRONZE TUBE, ALLOY 220
OUTER CONTACT: PHOSPHOR BRONZE, QQ-B-750
FINGER BODY: BER. COPPER, ASTM-B-196
CENTER CONTACT TIP: DELRIN
CAP: VINYL
ALL OTHER METAL PARTS: BRASS, ASTM-B16

5. FINISHES:

- CENTER CONTACT: HARD GOLD PLATE, PER MIL-G-45204
- NUT } KINGS TARNISH RESISTANT FINISH (TR-5)
- COLLET }
- OUTER BODIES }
- ALL OTHER METAL PARTS: SILVER PLATE, PER QQ-S-365

6. ELECTRICAL CHARACTERISTICS:

- NOMINAL IMPEDANCE: 75 OHMS
- FREQUENCY RANGE: DC-500 MHZ
- VOLTAGE BREAKDOWN: CENTER CONDUCTOR/INNER GROUND: 1500 VRMS
- INNER GROUND/OUTER GROUND: 500 VRMS

KAM6634

SCALE 2:1

APPROX SURFACE AREA

WAS: E-19361

USED ON

REF:

PLUG, TRI-LOC
(SERIAL DIGITAL)

DRAWN KH 08/29/96

DESIGN DW 08/30/96

APPR. DATE

KINGS
ELECTRONICS CO., INC.
ROCK HILL, SOUTH CAROLINA 29730

7705-6

GSD