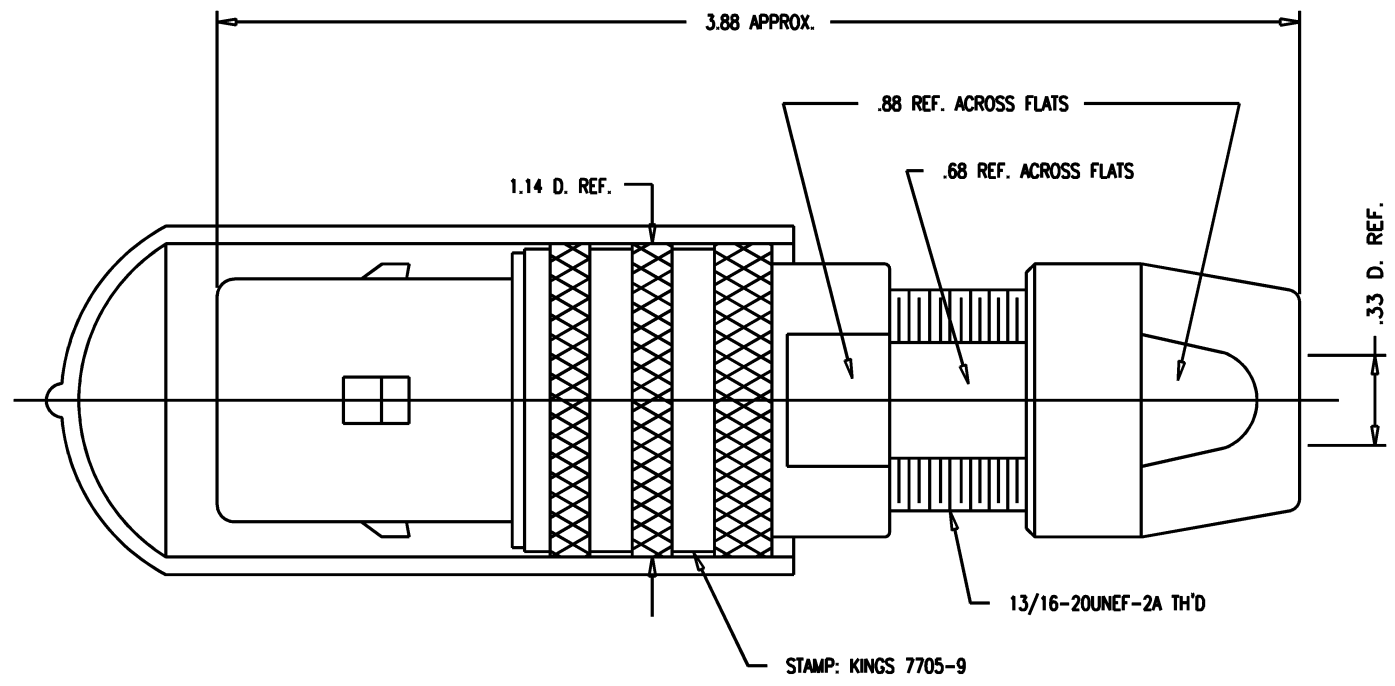


DASH NO.	M CODE	MADE FROM
----------	--------	-----------

GSD

7705-9

REVISIONS	
ISSUE	CHANGES
0	ER 37272 KH 02/27/97
1	CN 39576 E AM 08/14/06



NOTES:

- FOR USE WITH 760 CABLE GROUP.
- FOR CABLING INSTRUCTIONS SEE KAI-8010.
- FOR CRIMPING USE KTH-1000 AND KTH-2002.
- MATERIALS:**
 INSULATORS: TEFLON, ASTM-D-4894
 CONDUCTIVE GASKET: CONSIL C 87-10004
 GASKETS: SILICONE RUBBER, ZZ-R-765
 K-GRIP SLEEVE: COM. BRONZE TUBE, ASTM-B-135
 OUTER CONTACT: PHOSPHOR BRONZE, ASTM-B-103
 FINGER BODY: BER. COPPER, ASTM-B-196
 CENTER CONTACT TIP: DELRIN
 CAP: VINYL
 ALL OTHER METAL PARTS: BRASS, ASTM-B16
- FINISHES:**
 CENTER CONTACT: HARD GOLD PLATE, PER MIL-G-45204
 NUT }
 COLLET } KINGS TARNISH RESISTANT NICKEL FINISH (TR-5)
 OUTER BODIES }
 ALL OTHER METAL PARTS: SILVER PLATE, PER QQ-S-365
- ELECTRICAL CHARACTERISTICS:**
 NOMINAL IMPEDANCE: 75 OHMS
 FREQUENCY RANGE: DC-500 MHZ
 VOLTAGE BREAKDOWN: CENTER CONDUCTOR/INNER GROUND: 1500 VRMS
 INNER GROUND/OUTER GROUND: 500 VRMS

SCALE 2:1	
APPROX SURFACE AREA	
USED ON	
REF: KP-8010-760-400	
PLUG, TRI-LOC (SERIAL DIGITAL)	
DRAWN KH	DATE 02/27/97
DESIGN LI	DATE 02/27/97
APPR. FH	DATE 02/27/97

KINGS
ELECTRONICS CO., INC.
ROCK HILL, SOUTH CAROLINA 29730

GSD

7705-9