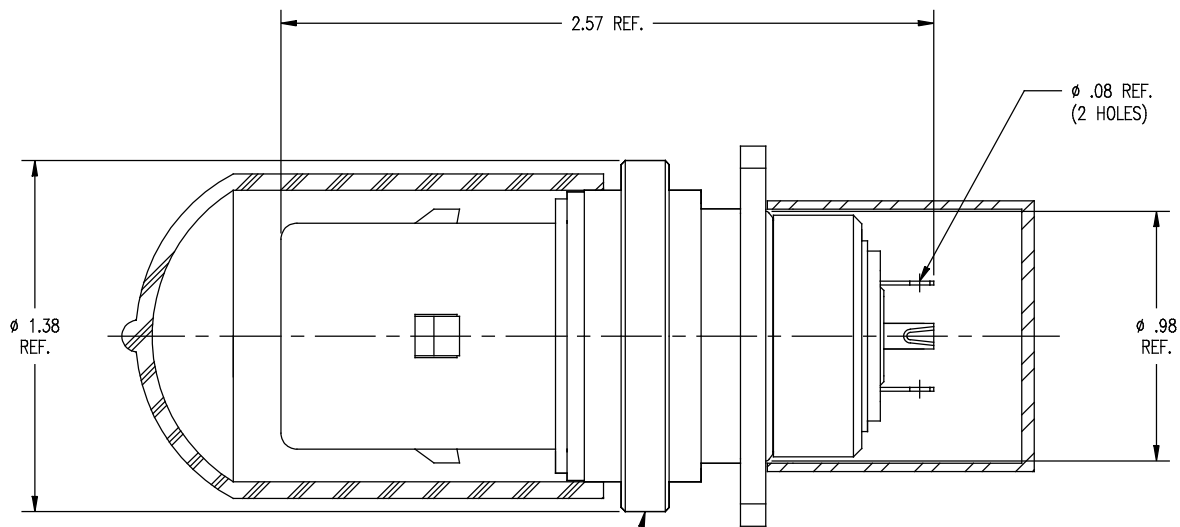


DASH NO.	M CODE	MADE FROM
----------	--------	-----------

GSD

7707-1

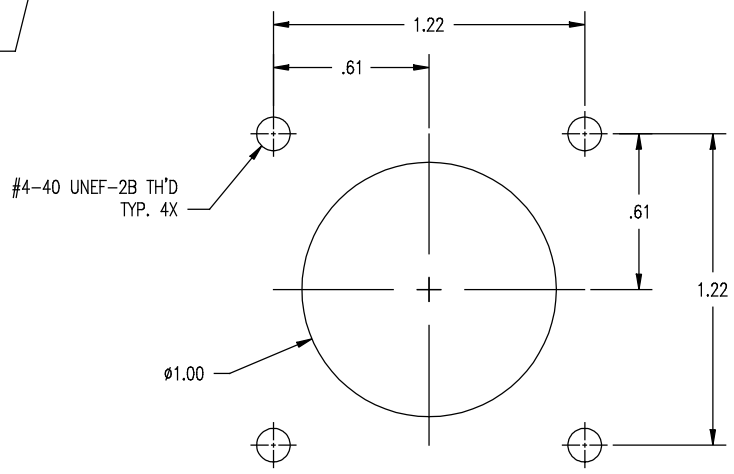
REVISIONS	
ISSUE	CHANGES
0	ER 39334 JPK 09/27/05
1	CN 39561 E JPK 08/07/06



KINGS 7707-1
YRWK (DATE CODE)

NOTES:

- MATERIALS:
 - CAPS: VINYL
 - INSULATORS: TEFLON, ASTM-D4894
 - GASKETS: SILICONE RUBBER, A-A-59588
 - CONDUCTIVE GASKETS: CONSIL C 87-10004, 60-70 DUROMETER
 - RETAINING RING } SPRING STEEL, ASTM-A682
 - E-RING }
 - OUTER CONTACT: PHOSPHOR BRONZE, ASTM-B103
 - BODY: BERYLLIUM COPPER, ASTM-B196
 - ALL OTHER METAL PARTS: BRASS, ASTM-B16
- FINISHES:
 - CENTER CONTACT: GOLD PLATE, ASTM-B488
 - ALL OTHER METAL PARTS: NICKEL PLATE, SAE-AMS-QQ-N-290
- ELECTRICAL CHARACTERISTICS:
 - FREQUENCY RANGE: DC-500 MHZ
 - NOMINAL IMPEDANCE: 75 OHMS
 - VOLTAGE BREAKDOWN: CENTER CONDUCTOR TO INNER GROUND: 1500 VRMS
 - INNER GROUND TO OUTER GROUND: 500 VRMS
- SIMILAR TO: LEMO FBK-4A (MAY BE USED ON IKEGAMI HK-388P CAMERA)



MOUNTING HOLES

GSD

7707-1SD

SCALE 2 : 1	
APPROX SURFACE AREA N/A	
USED ON	
REF: EQR 930 & E-20348	
RECEIPT, TRI-LOC, PANEL MT	
DRAWN J. KENNEDY	DATE 06/07/05
DESIGN J. KENNEDY	DATE 06/07/05
APPR.	DATE
 ROCK HILL, SOUTH CAROLINA 29730	

7707-1