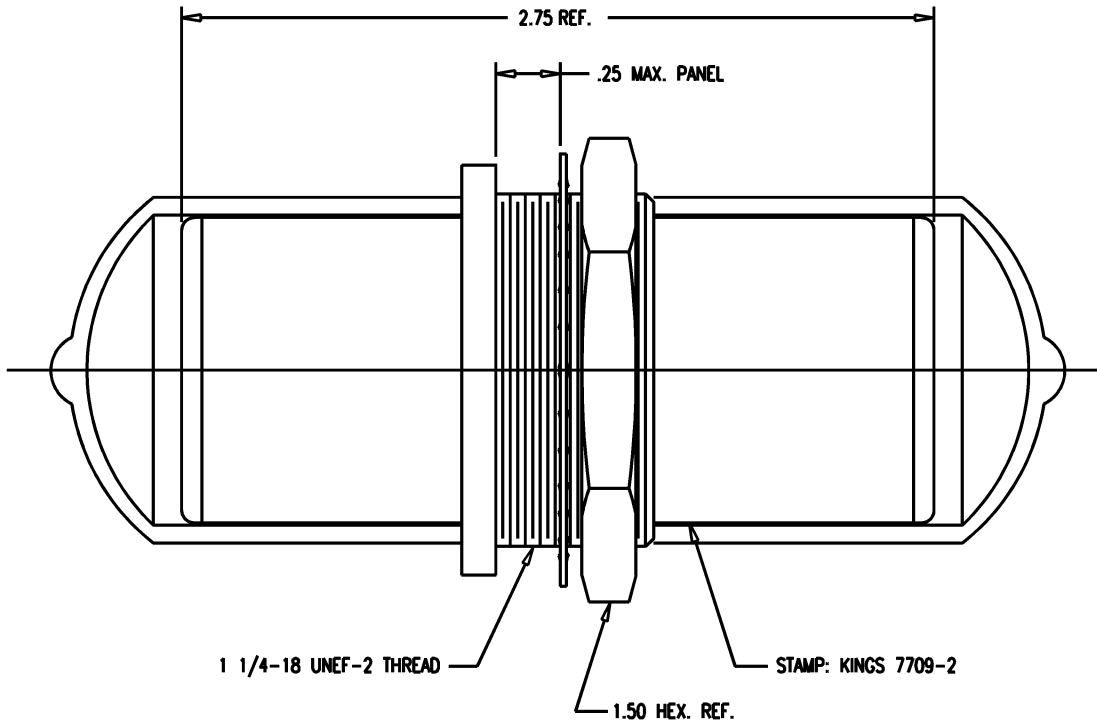


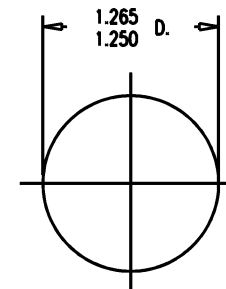
SD

7709-2



NOTES:

1. MATERIALS:
 - INSULATORS: TEFLON, ASTM-D-4894
 - CAP: VINYL
 - OUTER CONTACT SPRING } BER. COPPER, ASTM-B-196
 - CENTER CONTACT }
 - INSERT }
 - LOCKWASHER: PHOS. BRONZE, ASTM-B-103
 - ALL OTHER METAL PARTS: BRASS, ASTM-B16
2. FINISHES:
 - OUTER CONTACT SPRING } GOLD PLATE PER MIL-G-45204
 - CENTER CONTACT }
 - ALL OTHER METAL PARTS: KINGS TARNISH RESISTANT NICKEL FINISH (TR-5)
3. ELECTRICAL CHARACTERISTICS:
 - NOMINAL IMPEDANCE: 75 OHMS
 - FREQUENCY RANGE: DC-500 MHz
 - VOLTAGE BREAKDOWN: CENTER CONDUCTOR/INNER GROUND: 1500 VOLTS RMS
 - INNER GROUND/OUTER GROUND: 500 VOLTS RMS



MOUNTING HOLE

SD

REVISIONS

ISSUE	CHANGES
0	ER 36669 ME 10/31/95
1	CN 36754 A ME 12/22/95
2	CN 37374 D PG 03/12/97

QGS1003

SCALE 2:1

APPROX SURFACE AREA

USED ON

REF: KP-8040-007-000

ADPT, F-F, BKHD, TRI-LOC
SERIAL DIGITAL

DRAWN ME DATE 10/31/95

DESIGN FD DATE 10/31/95

APPR. DATE

KINGS
ELECTRONICS CO., INC.
TUCKAHOE, NEW YORK 10707

7709-2