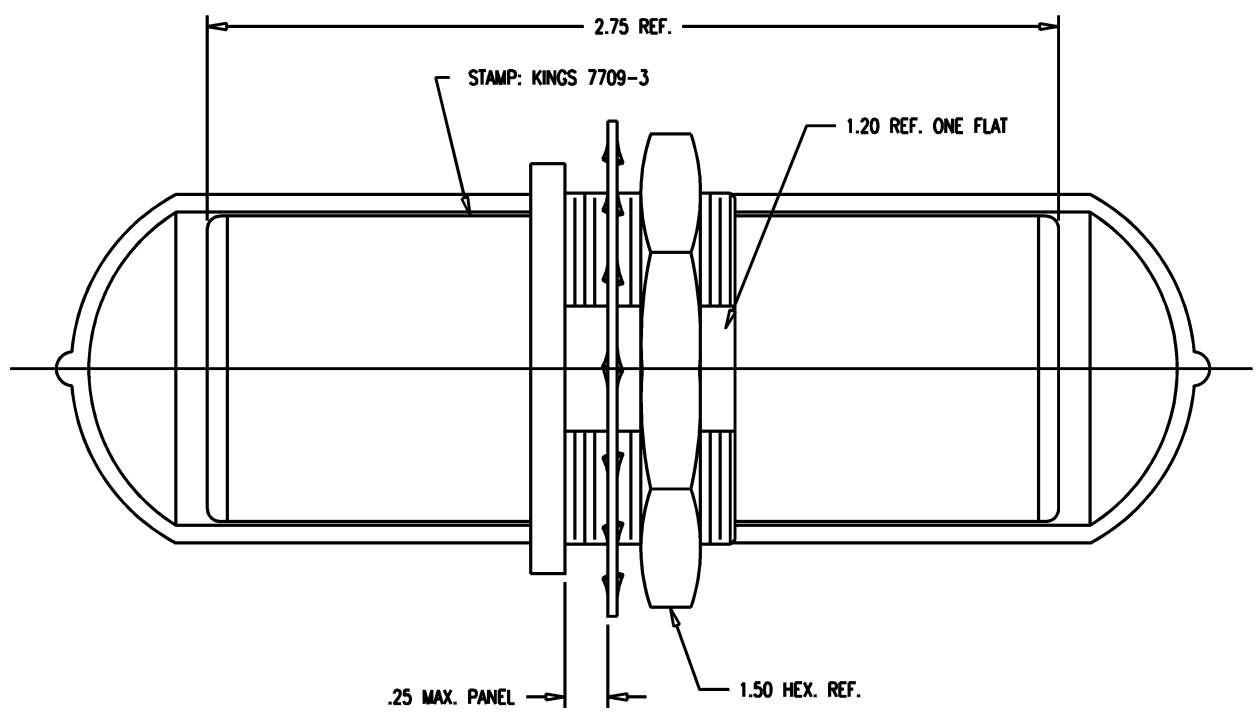
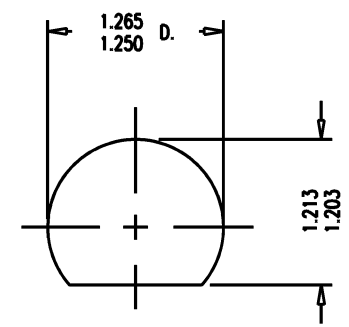


SD



NOTES:

1. MATERIALS:
  - INSULATORS-TEFLON, ASTM-D-4894
  - CAP-VINYL
  - CENTER CONTACT
  - OUTER CONTACT SPRING } BER. COP., ASTM-B-196
  - INSERT
  - LOCKWASHER-PHOSPHOR BRONZE, ASTM-B-103
  - ALL OTHER METAL PARTS-BRASS, ASTM-B16
2. FINISHES:
  - OUTER CONTACT SPRING } GOLD PLATE PER MIL-G-45204
  - CENTER CONTACT
  - ALL OTHER METAL PARTS-KINGS TARNISH RESISTANT NICKEL FINISH (TR-5)
3. ELECTRICAL CHARACTERISTICS:
  - FREQUENCY RANGE: DC-500 MHZ
  - NOMINAL IMPEDANCE: 75 OHMS
  - VOLTAGE BREAKDOWN: CENTER CONDUCTOR/INNER GROUND: 1500 VRMS
  - INNER GROUND/OUTER GROUND: 500 VRMS



MOUNTING HOLE

SD

7709-3

REVISIONS	
ISSUE	CHANGES
0	ER 35441 KH 04/20/95
1	CN 36674 C KH 11/0/95
2	CN 37274 D PG 03/12/97

7709-3SD

SCALE 2:1	
APPROX SURFACE AREA	
USED ON	
REF: KP-8040-007-000	
ADAPTER, F-F, BKHD, TRI-LOC SERIAL DIGITAL	
DRAWN KH	DATE 04/20/95
DESIGN DW	DATE 04/21/95
APPR.	DATE
<b>KINGS</b> ELECTRONICS CO., INC. TUCKAHOE, NEW YORK 10707	
7709-3	