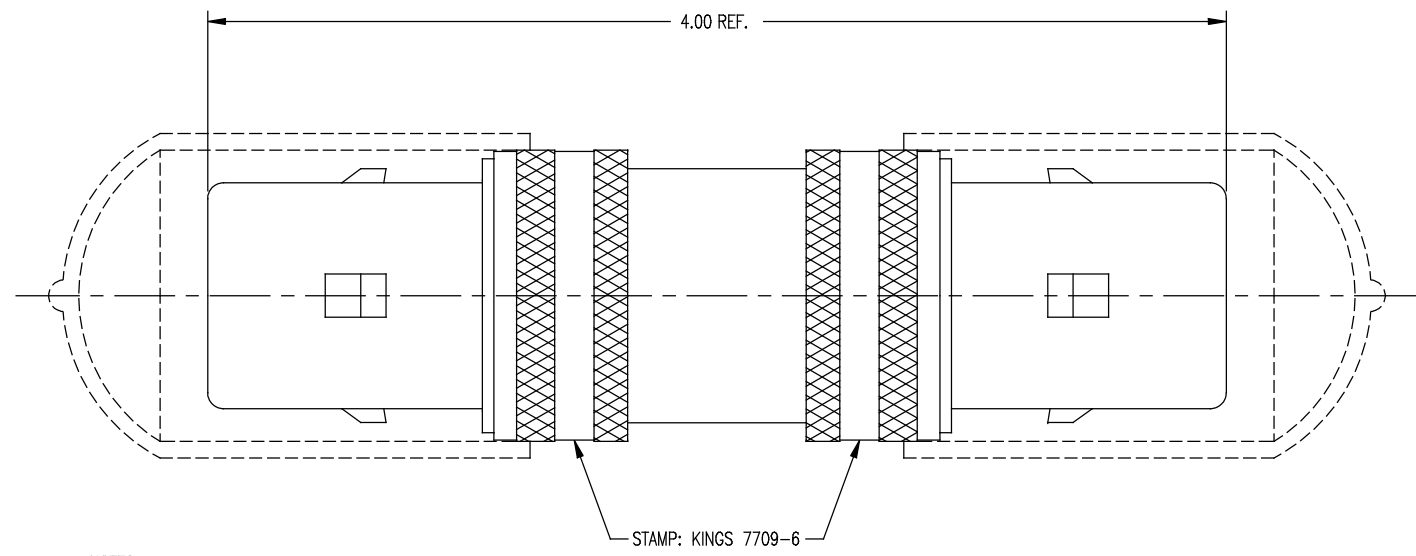


GSD

7709-6

REVISIONS

ISSUE	CHANGES
0	ER 35438 ME 04/25/95



NOTES:

1. MATERIAL:
 - INSULATORS: TEFLON, ASTM-D-4894
 - GASKETS: SILICONE RUBBER, ZZ-R-765
 - CONDUCTIVE GASKETS: CONSIL C 87-10004, 60-70 DUROMETER
 - CONTACT TIPS: DELRIN 150
 - PROTECTIVE CAPS: VINYL
 - E-RING: CARBON SPRING STEEL
 - BODY: BER. COPPER, ASTM-B-196
 - INT. CONTACTS: PHOSPHOR BRONZE, ASTM-B-103
 - ALL OTHER PARTS: BRASS, ASTM-B16
2. FINISH:
 - CENTER CONTACT: HARD GOLD PLATE PER MIL-G-45204
 - ALL OTHER METAL PARTS: KINGS TARNISH RESISTANT NICKEL FINISH (TR-5)
3. ELECTRICAL CHARACTERISTIC:
 - NOMINAL IMPEDANCE: 75 ~W
 - FREQUENCY RANGE: DC TO 500 MHz
 - VOLTAGE BREAKDOWN:
 - CENTER CONDUCTOR/INNER GROUND: 1500 VOLTS RMS
 - INNER GROUND/OUTER GROUND: 500 VOLTS RMS

QGS0374

SCALE	2:1	
APPROX SURFACE AREA		
USED ON		
REF:	KP-8030-000-000	
ADAPTER, M-M, BULKHEAD TRI-LOC, SERIAL DIGITAL		
DRAWN	ME	DATE 04/25/95
DESIGN	DW	DATE 04/28/95
APPR.		DATE

KINGS
ELECTRONICS CO., INC.
TUCKAHOE, NEW YORK 10707

GSD

7709-6