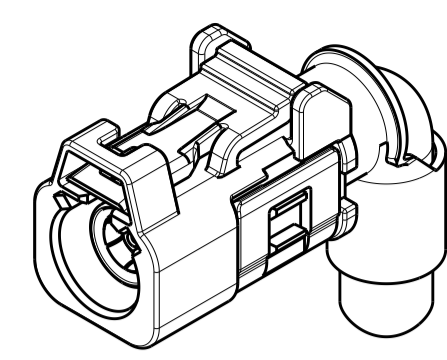
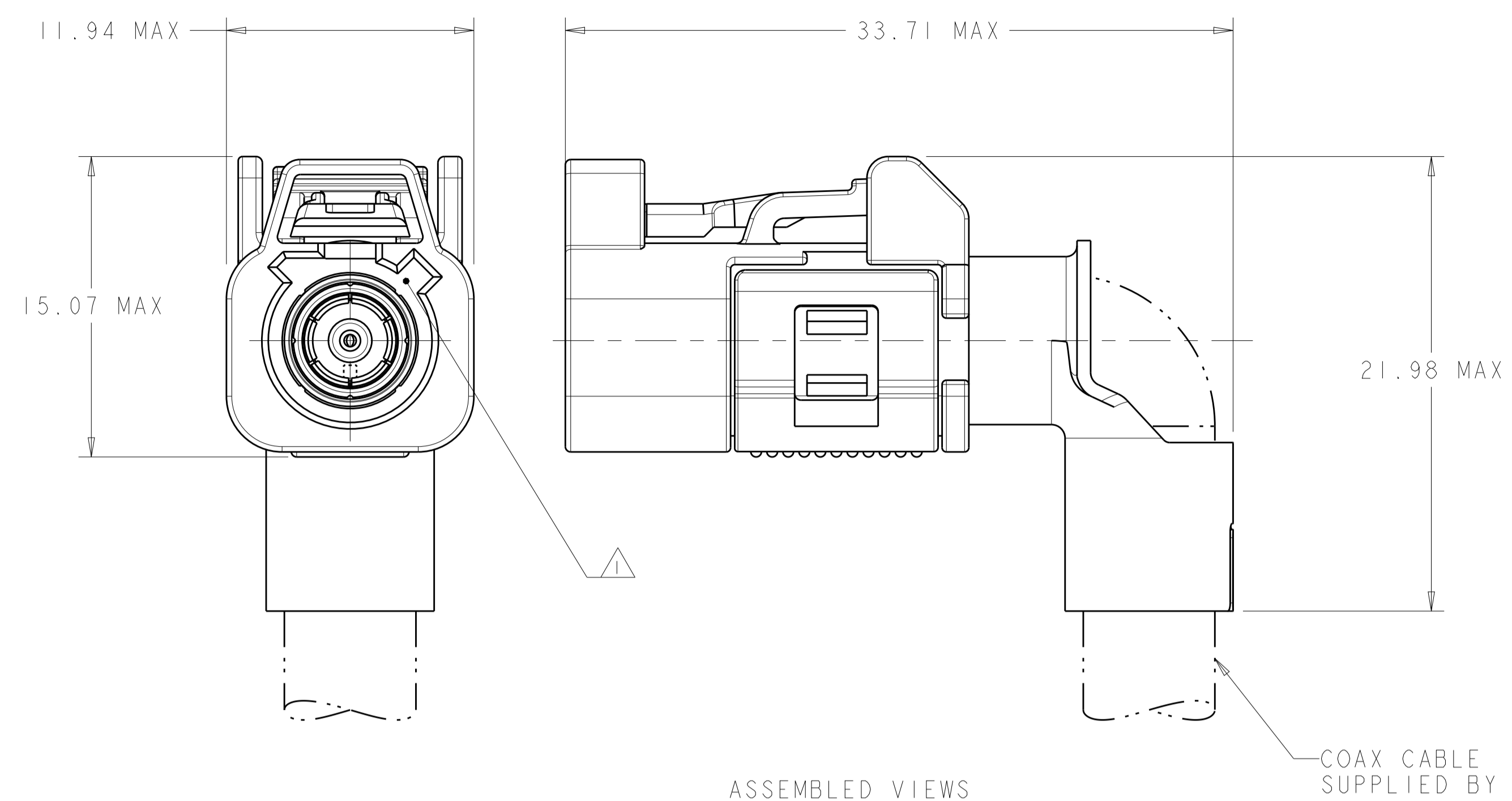
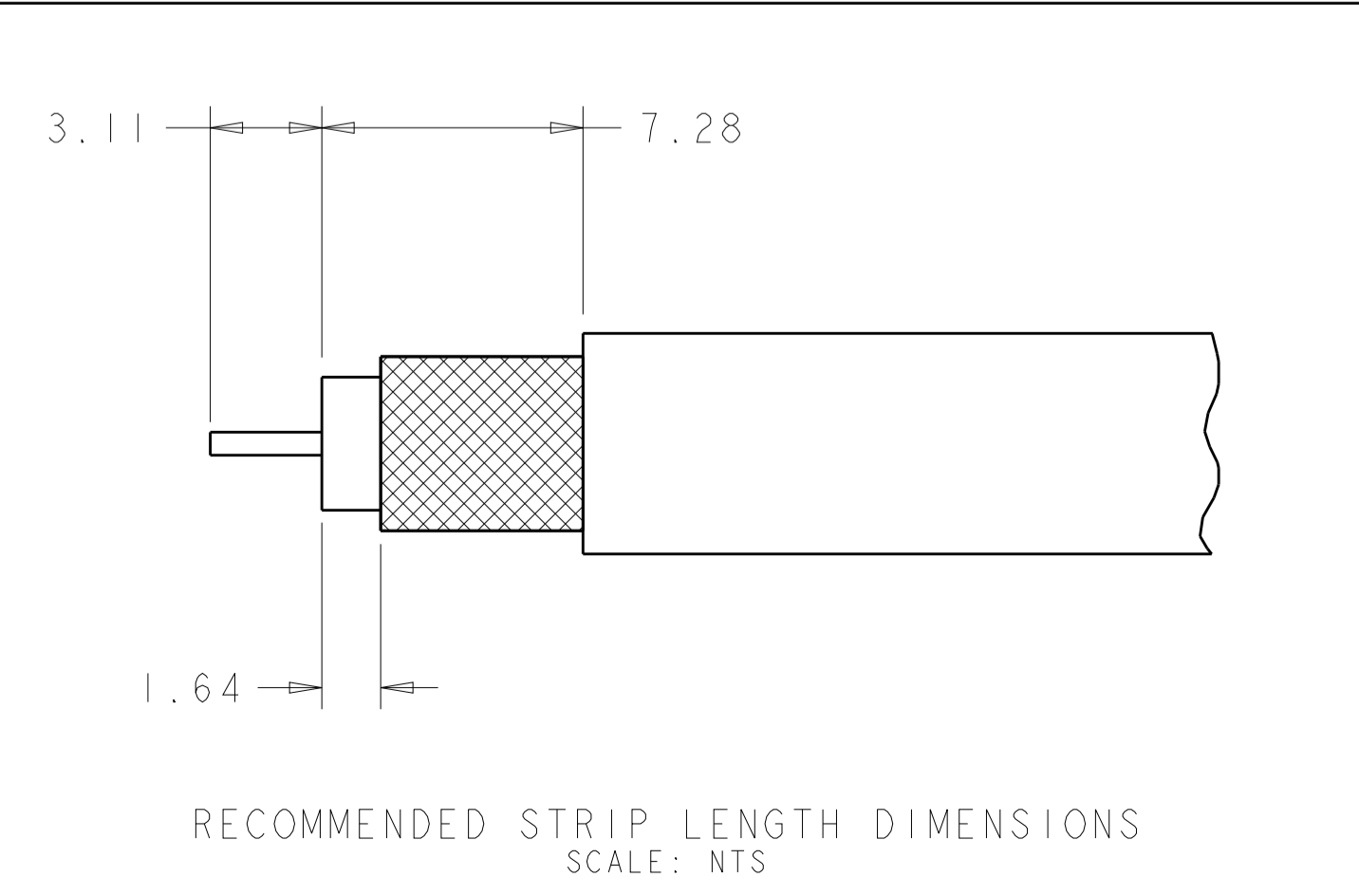
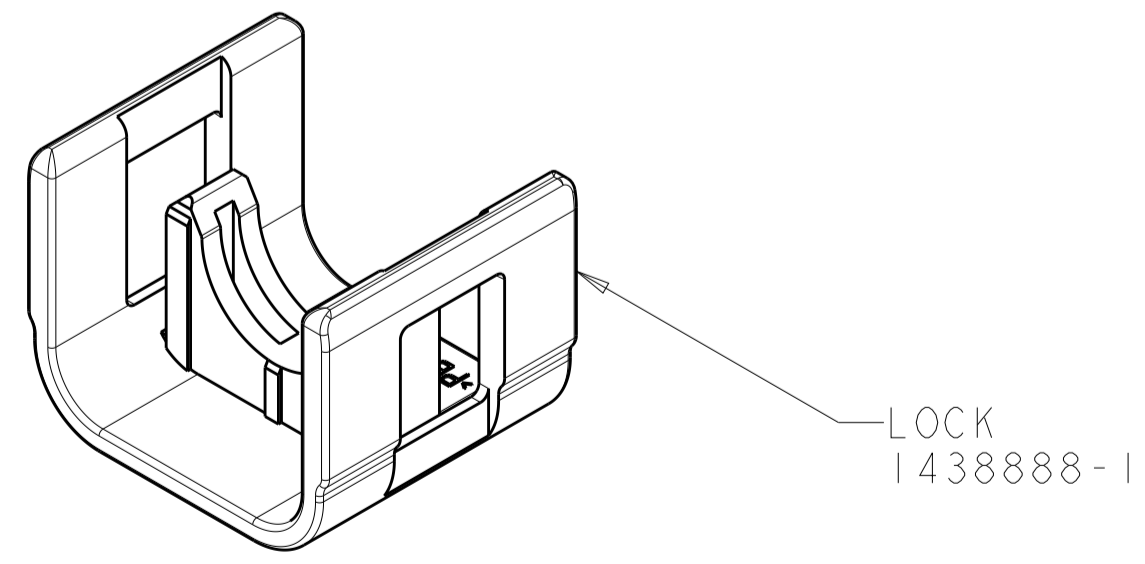
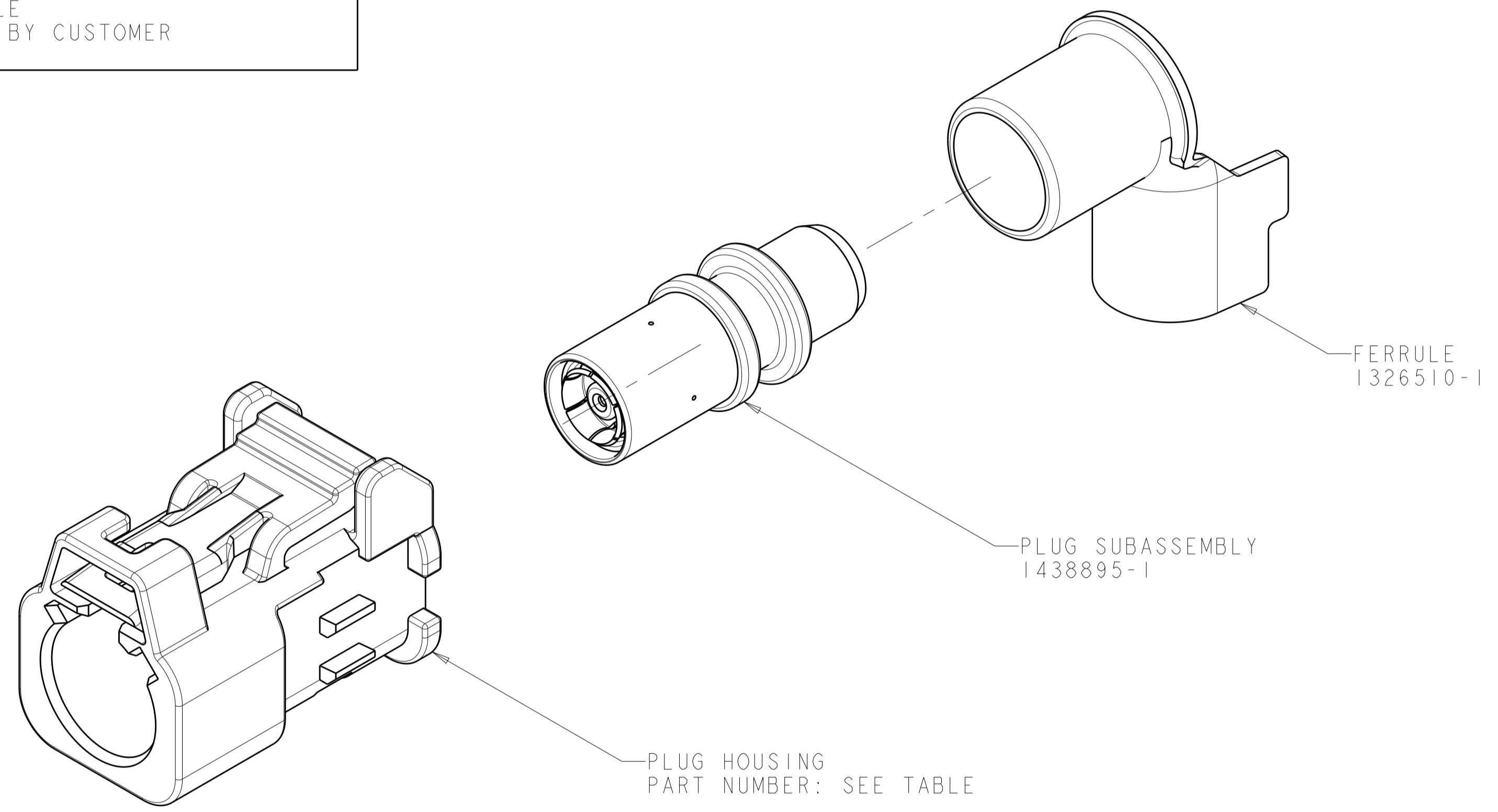


LOC		DIST		REVISIONS			
P	LTN	DESCRIPTION	DATE	DWN	APVD		
B1		ECO-13-012147	29AUG2013	KP	LV		



ISOMETRIC VIEW  
SCALE 2:1

- 1. PLUG ACCEPTS JACKS MEETING DIN 72594-1, ROAD VEHICLES - RADIO FREQUENCY INTERFACE - DIMENSIONS AND ELECTRICAL REQUIREMENTS.
- 2. PLUG SUBASSEMBLY WILL ACCEPT RG-59 COAXIAL CABLE.
- 3. SEE INSTRUCTION SHEET 408-10028.
- 4. SOCKET CONTACT 1438896-4 MUST BE PURCHASED SEPERATELY.



PER DETAIL M	M	PASTEL ORANGE	1-1438893-2	1-776683-2
PER DETAIL K	K	CURRY	1-1438893-0	1-776683-0
PER DETAIL H	H	HEATHER VIOLET	1438893-8	776683-8
PER DETAIL D	D	CLARET VIOLET	1438893-4	776683-4
PER DETAIL C	C	SIGNAL BLUE	1438893-3	776683-3
PER DETAIL B	B	SIGNAL WHITE	1438893-2	776683-2
PER DETAIL A	A	JET BLACK	1438893-1	776683-1
KEYING	KEY CODING	HOUSING COLOR	PLUG HOUSING PART NUMBER	PART NUMBER

THIS DRAWING IS A CONTROLLED DOCUMENT. DWN: D.J.HARDY 05JUN2005  
 CHK: J.W.HALL 25AUG2005  
 APVD: J.W.HALL 25AUG2005

**STE** TE Connectivity

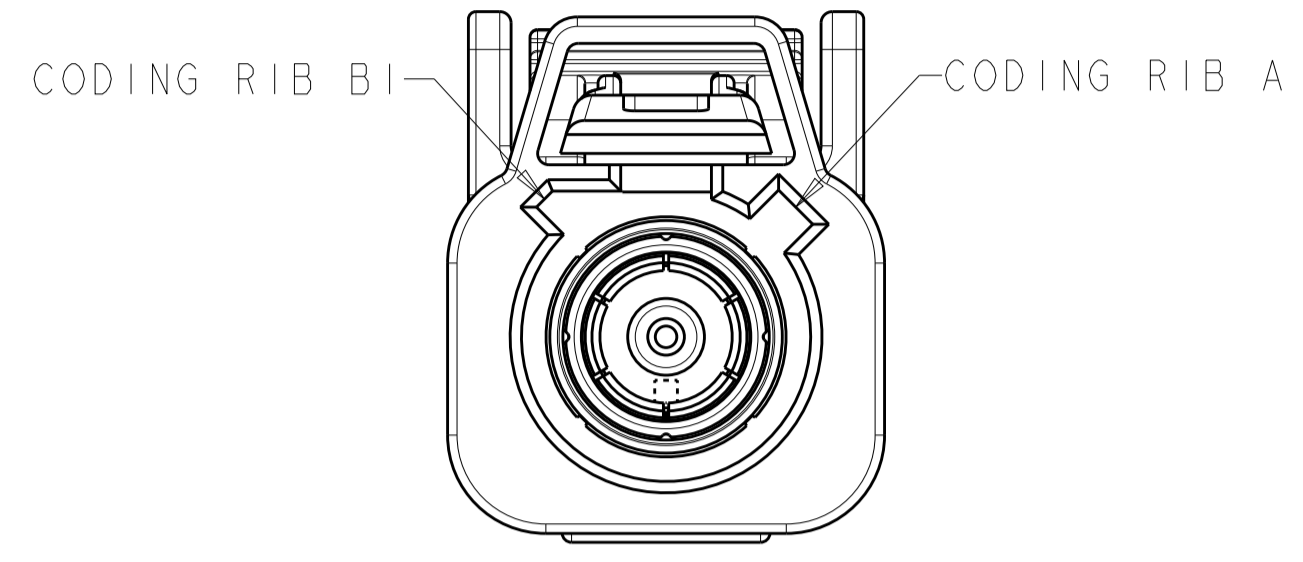
NAME: PLUG KIT, UNASSEMBLED, 1 POSITION, RG-59, 90 DEGREE, FAKRA, SMB

PRODUCT SPEC: -  
 APPLICATION SPEC: 114-13157  
 WEIGHT: -  
 MATERIAL: -  
 FINISH: -

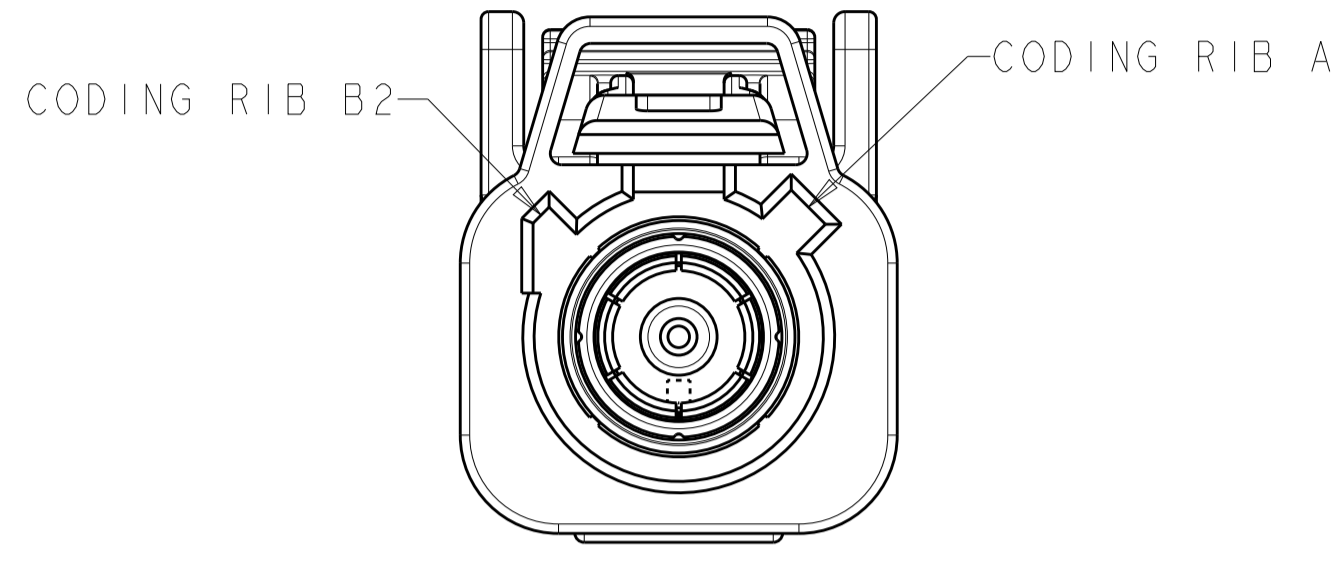
SIZE: A1  
 CAGE CODE: 100779  
 DRAWING NO: 776683

CUSTOMER DRAWING SCALE: 4:1 SHEET 1 OF 2 REV: B1

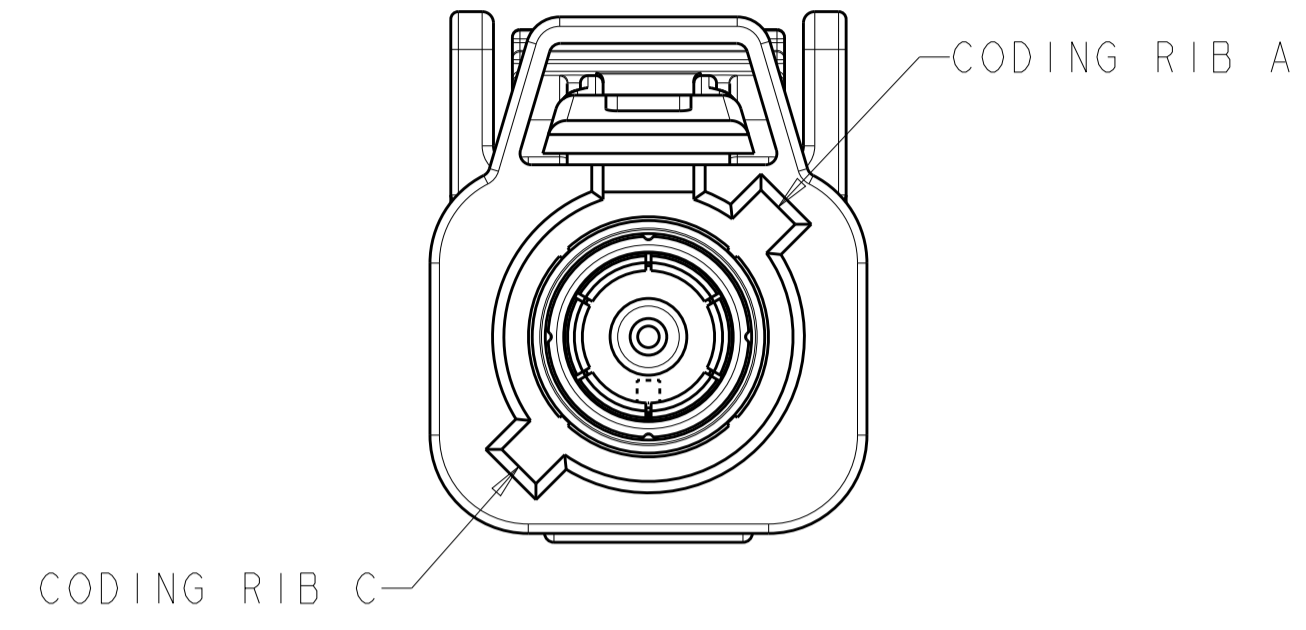
LOC		DIST		REVISIONS				
P	LTN	DATE	DMN	APVD	DESCRIPTION	DATE	DMN	APVD
-	-	-	-	-	SEE SHEET 1	-	-	-



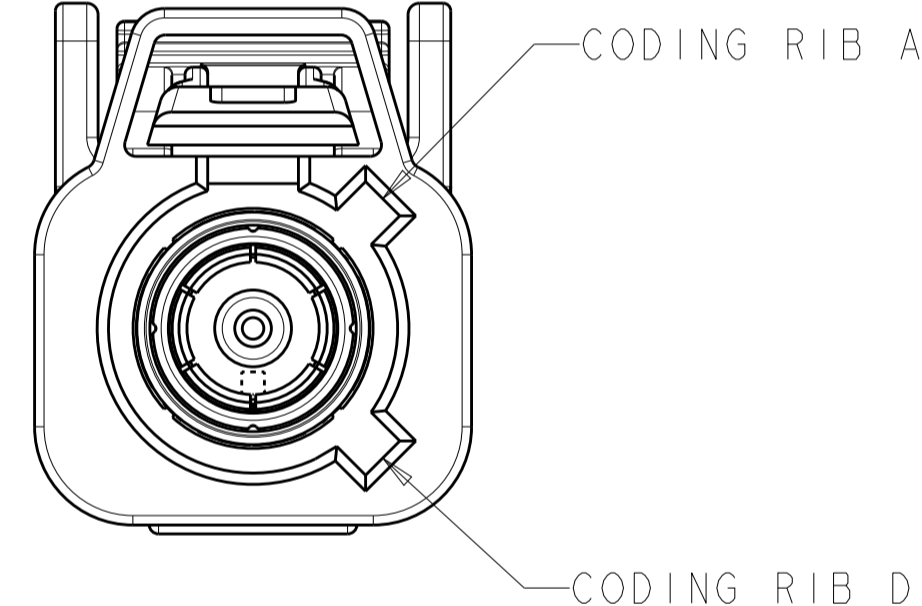
DETAIL A



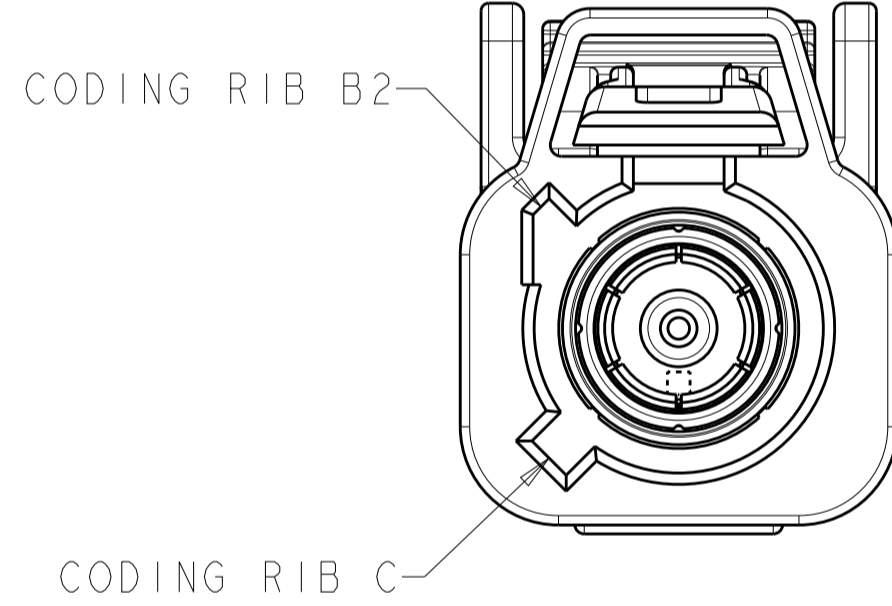
DETAIL B



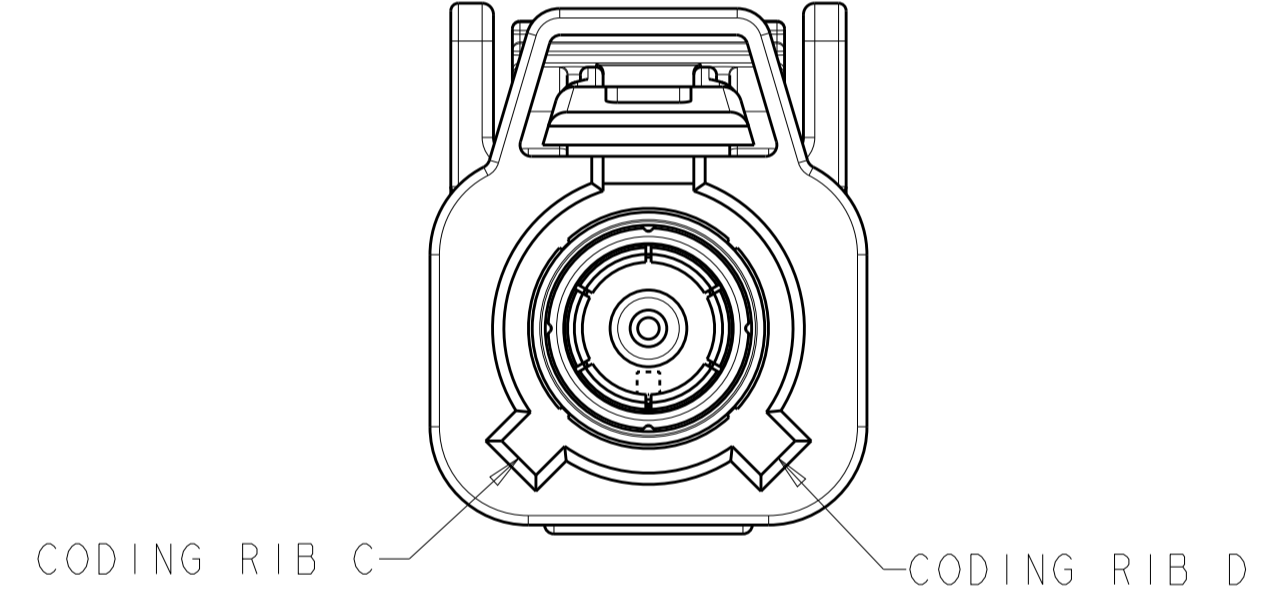
DETAIL C



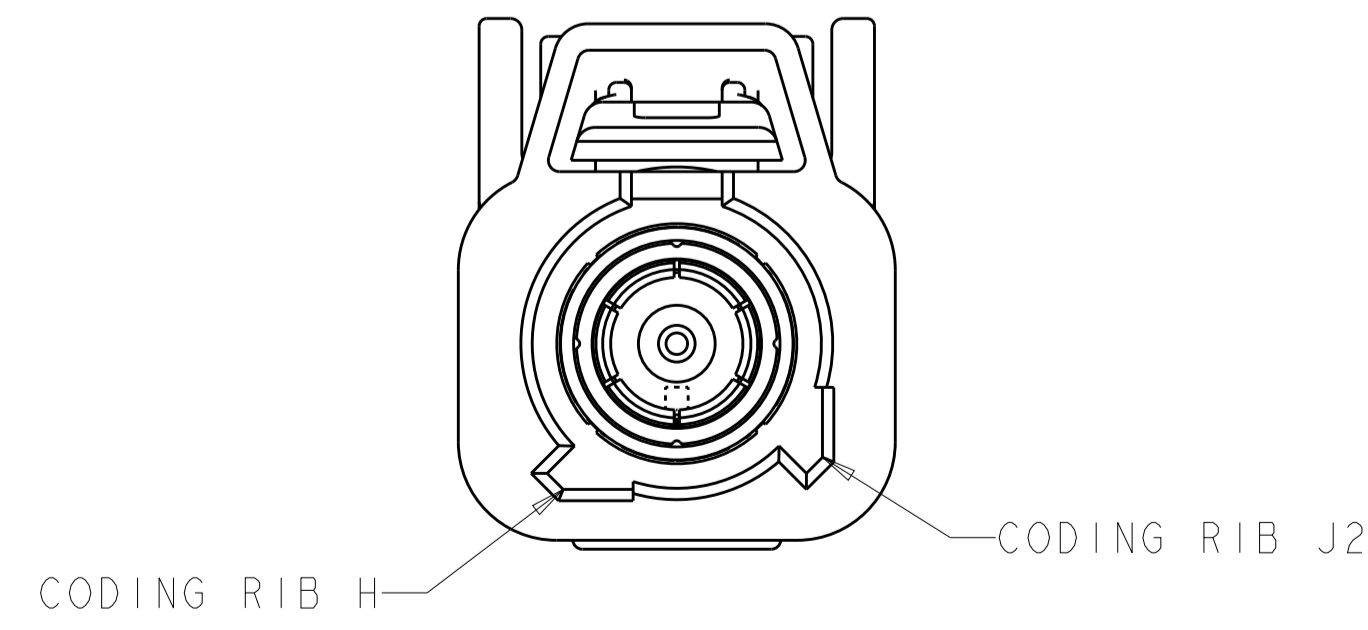
DETAIL D




DETAIL H



DETAIL K



DETAIL M

THIS DRAWING IS A CONTROLLED DOCUMENT.		DMN D. J. HARDY 05JUN2005	 TE Connectivity
DIMENSIONS:		CHK J. W. HALL 25AUG2005	
mm	TOLERANCES UNLESS OTHERWISE SPECIFIED:	APVD J. W. HALL 25AUG2005	NAME PLUG KIT, UNASSEMBLED, 1 POSITION, RG-59, 90 DEGREE, FAKRA, SMB
0 PLC ±	1 PLC ±	PRODUCT SPEC	APPLICATION SPEC
2 PLC ±	3 PLC ±	SIZE 114-13157	RESTRICTED TO
4 PLC ±	ANGLES ±	WEIGHT	A100779C=776683
MATERIAL	FINISH	CUSTOMER DRAWING	SCALE 5:1 SHEET 2 OF 2 REV B1