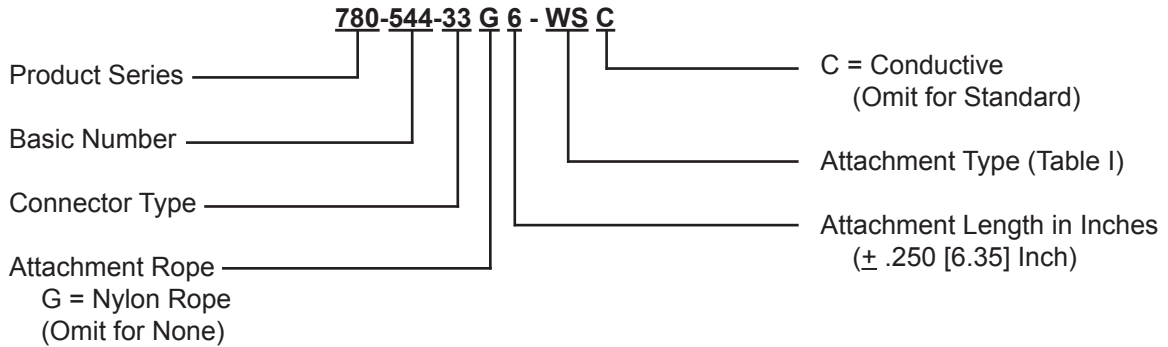


780-544
 "Marshal Bean" Protective Rubber Cover
 Universal RECEPTACLE Cover for ARINC Series 400



ARINC
 Series 400
 (Cannon)



*"To Protect
 and to Serve"*

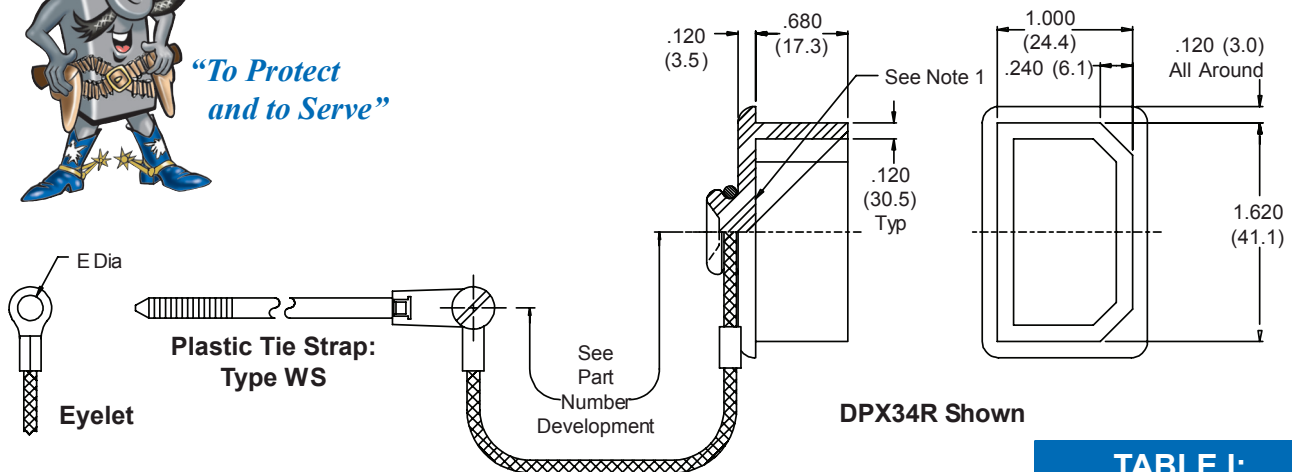
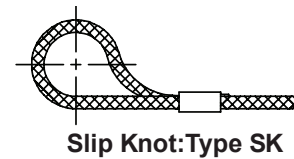


TABLE I: ATTACHMENT TYPE	
Dash No.	E Dia ±.010 (0.3)
00	No Terminal
01	.140 (3.6)
02	.182 (4.6)
03	.191 (4.9)
04	.197 (5.0)
05	.167 (4.2)
06	.125 (3.2)
07	.218 (5.5)
09	.156 (4.0)
WS	With Strap
SK	Slip Knot

NOTES:

1. Cover identified in area shown.
2. Metric dimensions (mm) are indicated in parentheses.
3. This series of covers is similar to Bean Rubber Mfg. Co. DPX33 series, same dash Number, i.e.: DPX-33-WC equivalent to 780-544-33G12-09.
4. Standard material contains trace amounts of sulfur (a vulcanizing agent) which is known to contribute to degradation/corrosion of silver plated components such as braid, etc. Specify MOD Code suffix -675 for sulfur-free material.
5. Standard material contains trace amounts of sulfur (a vulcanizing agent) which is known to contribute to degradation/corrosion of silver plated components such as braid, etc. Specify MOD Code suffix -678 for sulfur-free material.