



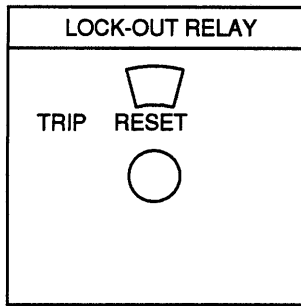
ELECTROSWITCH

UNIT OF ELECTRO SWITCH CORP.
WEYMOUTH, MASSACHUSETTS 02188
TEL: (781)335-5200 FAX: (781)335-4253

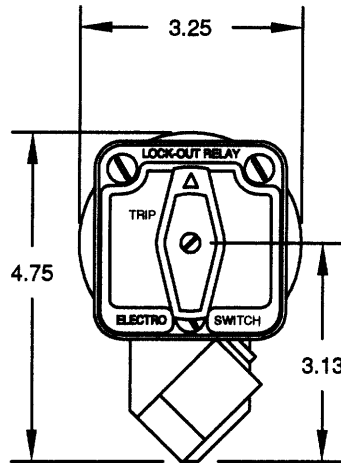
SERIES 24 MANUAL RESET LOCKOUT RELAY

7802D

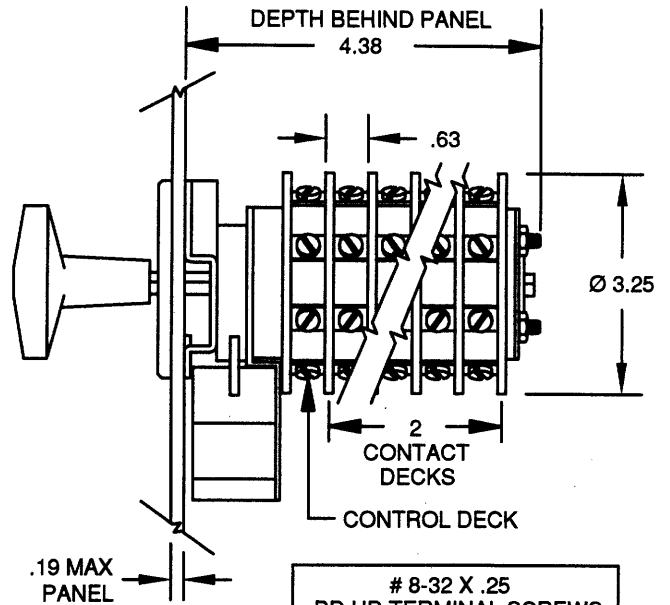
STANDARD NAMEPLATE ENGRAVING



CODE 17C-2L22



(3) #10-32 X .56
MOUNTING SCREWS
SUPPLIED



8-32 X .25
BD.HD.TERMINAL SCREWS
SUPPLIED UN-ASSEMBLED.

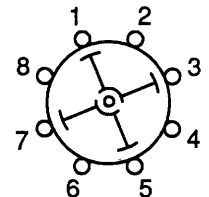
TRIP COIL SPECIFICATIONS

NOMINAL VOLTAGE:	125 VDC	120 VAC
OPERATING RANGE:	30-140 VDC	30-140 VAC
THRESHOLD:	16 VDC (MIN)	20 VDC (MIN)
COIL RESISTANCE:	27.0 Ω	27.0 Ω
COIL BURDEN:	4.6 AMPS @125 VDC	4.5 AMPS @120 VAC

FOR FURTHER INFORMATION REFER TO
TECHNICAL PUBLICATION LOR-1

TYPICAL CONTACT DECK LAYOUT

CONTACTS	POSITION	
	TRIP	RESET
DECK 1	11	13
	12	18
	15	17
	14	16



ADDITIONAL CONTACT DECKS SAME AS
DECK 1 EXCEPT TERMINAL NUMBERS.
(DECK 2: 21 TO 28, DECK 3: 31 TO 38 ETC.)

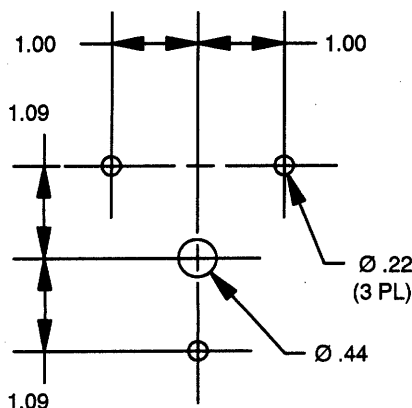


20A-120VAC
15A-240VAC
6A-600VAC
3A-125VDC
1A-250VDC

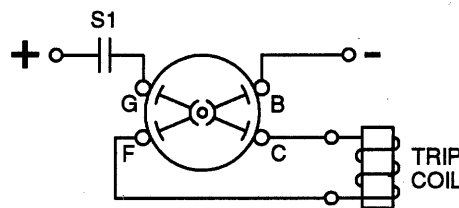


20A-600VAC res
15A-600VAC ind

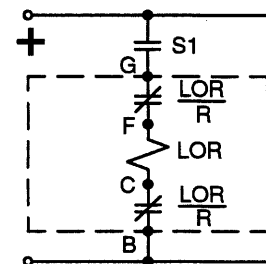
PANEL DRILLING DIMENSIONS



CONTROL CIRCUIT



LAYOUT



SCHEMATIC

CONTACTS	POSITION	
	TRIP	RESET
CONTROL DECK	B	C
	F	G

MADE BY: I.R.U.
APPR. BY: J.M.

DATE: 8/29/78
DATE: 8/30/78

DWG. NO.:
SHEET 1 OF 1

REV E

REVISIONS: WDS 8/26/92 JR
ELECTN 30923
204-10-15