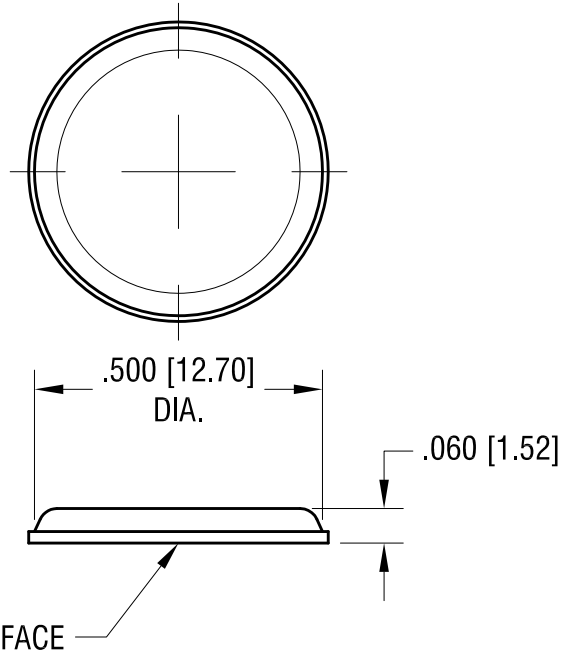


THIS DOCUMENT IS THE PROPERTY OF
KEYSTONE ELECTRONICS CORP. AND
SHALL NOT BE REPRODUCED, DISTRIBUTED
OR USED AS A BASIS FOR MANUFACTURE
WITHOUT PRIOR WRITTEN PERMISSION
FROM KEYSTONE ELECTRONICS CORP.

ACTUAL SIZE



NOTE:
1. PART SUPPLIED 200 PCS PER SHEET

PART NO.	COLOR
781-B	BLACK
781-C	CLEAR

KEYSTONE ELECTRONICS CORP.			
www.keyelco.com • ASTORIA, N.Y. 11105-2017 • Tel (718) 956-8900			
PART NAME CYLINDRICAL SELF-ADHESIVE BUMPER			
MATERIAL MOLDED POLYURETHANE			
FINISH -	DRN BY NT	DATE 3.24.11	
	APP'D LN	SCALE 3X	
TOLERANCES INCH [MM] DECIMAL ± .020 [± 0.50] ANGULAR ± 1° UNLESS OTHERWISE SPECIFIED	CODE C	DWG NO. 781-	

10.18.13	CHANGE AS PER ECN 13-099	A
DATE	DESCRIPTION	REV.