

HEADER WITH LEFT HOLD DOWN (FIGURE 1)				
PART NUMBER	NUMBER OF POWER MODULES	"DIM A"	PLATING OPTION	LEFT HOLD DOWN MODULE LOCATION
78347-100*	1X	15.00	TIN	REFER TO SHEET 2 FOR DETAILS
78347-10**	2X	26.40		

HEADER WITH RIGHT HOLD DOWN (FIGURE 2)				
PART NUMBER	NUMBER OF POWER MODULES	"DIM A"	PLATING OPTION	RIGHT HOLD DOWN MODULE LOCATION
78347-200*	1X	15.00	TIN	REFER TO SHEET 2 FOR DETAILS
78347-20**	2X	26.40		

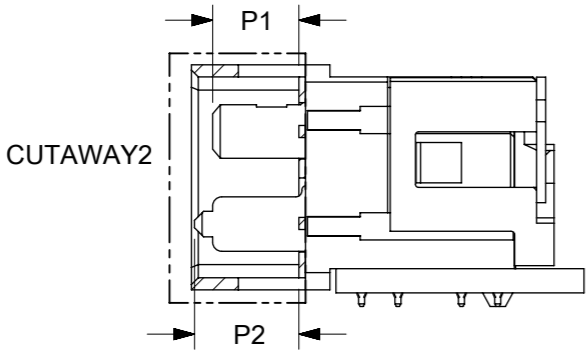


FIGURE 3: BLADE P1 AND P2 LOCATION

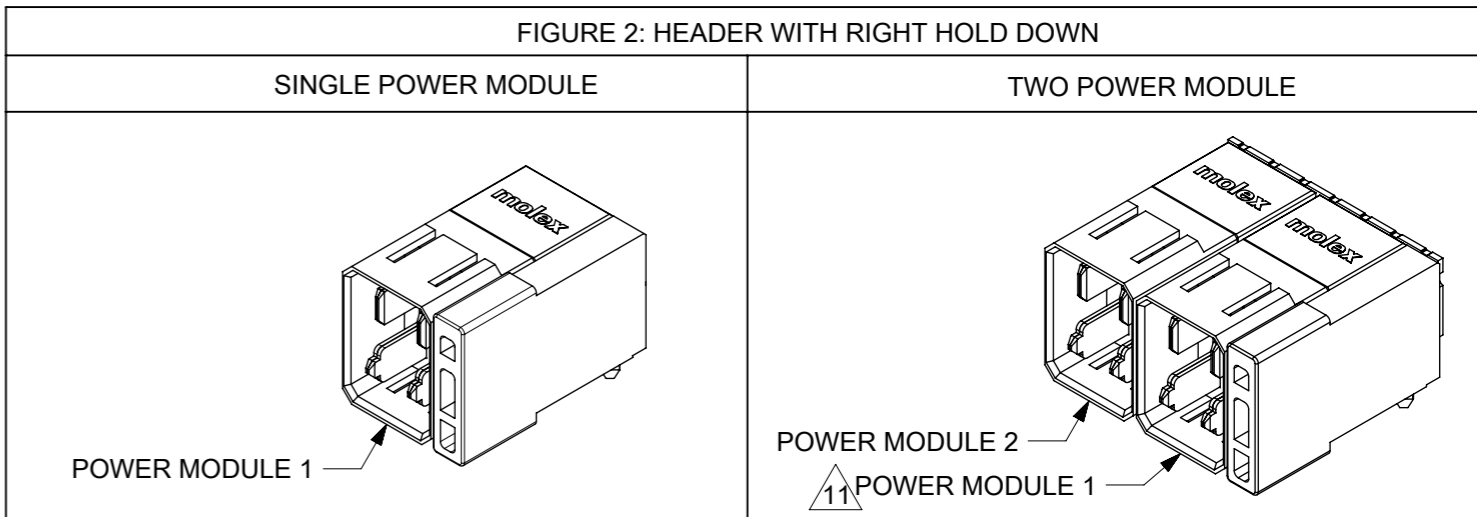
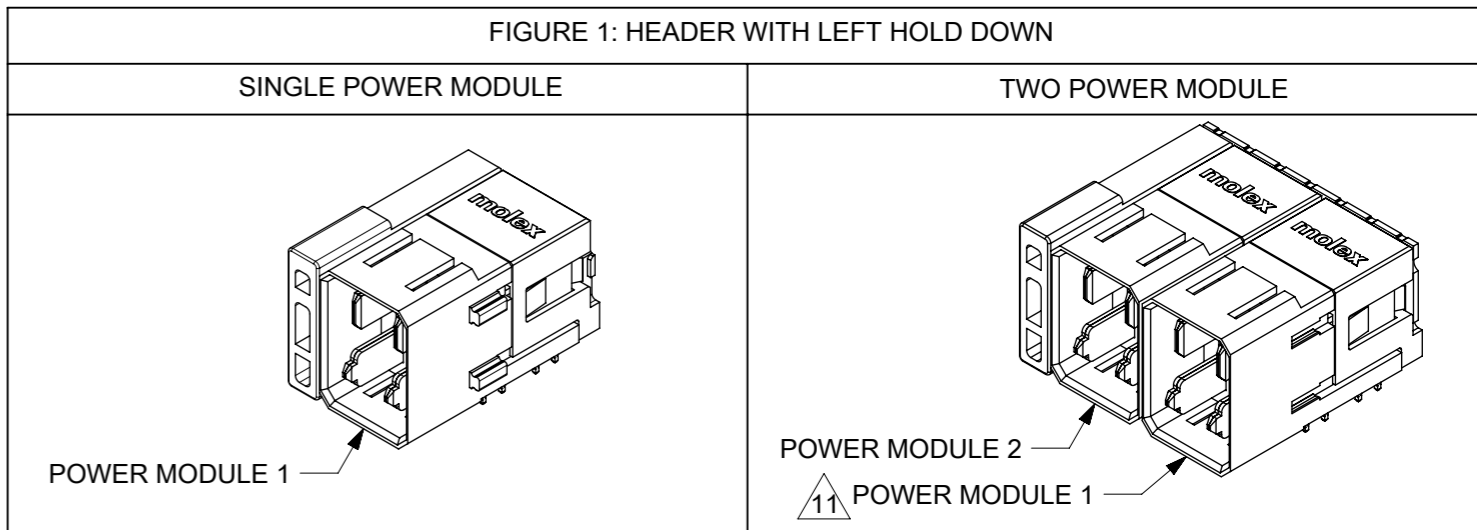
- NOTES:
- MATERIALS:
HOUSING - LCP, GLASS FILLED, UL 94-V0, BLACK.
POWER PIN - COPPER ALLOY.
 - FINISHES:
0.76µm MINIMUM GOLD AT CONTACT AREA AND
2.54µm MINIMUM TIN AT SOLDER TAIL AREA OVER
1.27µm MINIMUM NICKEL UNDERPLATE.
 - PRODUCT SPECIFICATION: PS-78213-001.
 - PACKAGING SPECIFICATION:
PK-78347-001 (1X MODULE WITH HOLD DOWN MODULE)
PK-78347-002 (2X MODULE WITH HOLD DOWN MODULE)
 - REFER TO MOLEX PRODUCT SPECIFICATION PS-78213-001 FOR PLATED THROUGH-HOLE SPECIFICATIONS AND TORQUE FORCE.
 - MATES WITH 78212-**** or 78348-****.
 - PART NUMBER AND YEAR-DAY CODE CAN BE AT THE OPPOSITE SIDE.
 - ADD 11.40mm FOR EACH ADDITIONAL POWER MODULE.
 - THE DETAILS FOR LEFT & RIGHT HOLD DOWN OPTION ARE SHOWN IN SHEET 2, 3 AND SHEET 4 RESPECTIVELY.
 - CONNECTORS ARE PACKED IN A TRAY.
 - FIRST POWER MODULE (#1) STARTS FROM THE RIGHT.
 - REFER TO SD-78211-002 FOR DETAILS OF THE POWER MODULE.
 - ALL PARTS ARE SHIPPED WITH A 2-32 TYPE AB SELF-TAPPING SCREW PART NUMBER 73726-0000.
 - COMPONENT STAY AWAY ZONE FROM CONNECTOR.

DOCUMENT STATUS	P1	RELEASE DATE	2019/03/13	10:32:46
-----------------	----	--------------	------------	----------

PLATING OPTION	HOLD DOWN MODULE LOCATION	*
TIN	LEFT	1
	RIGHT	2

POWER MODULE 2		
*	BLADE LENGTH	
	P1	P2
0	MODULE NOT PRESENT	
1	6.90	6.90
2	5.70	5.70
3	6.90	5.70
4	5.70	6.90

POWER MODULE 1		
*	BLADE LENGTH	
	P1	P2
1	6.90	6.90
2	5.70	5.70
3	6.90	5.70
4	5.70	6.90



THIS DRAWING CONTAINS INFORMATION THAT IS PROPRIETARY TO MOLEX ELECTRONIC TECHNOLOGIES, LLC AND SHOULD NOT BE USED WITHOUT WRITTEN PERMISSION

DIMENSION UNITS	SCALE	CURRENT REV DESC: MIGRATED TO NX	
mm	NTS		
GENERAL TOLERANCES (UNLESS SPECIFIED)			
ANGULAR TOL	± 3.0°	EC NO: 612508	
4 PLACES	±	DRWN: PSHANKARACHA	2019/01/17
3 PLACES	±	CHK'D: ABN	2019/03/12
2 PLACES	± 0.25	APPR: CWANG25	2019/03/13
1 PLACE	±	INITIAL REVISION:	
0 PLACES	±	DRWN: LNG	2010/08/11
DRAFT WHERE APPLICABLE MUST REMAIN WITHIN DIMENSIONS		APPR: SHONG	2011/02/08
THIRD ANGLE PROJECTION	DRAWING	SERIES	MATERIAL NUMBER
	A3-SIZE	78347	SEE TABLE
CUSTOMER		DOC TYPE	DOC PART
GENERAL MARKET		PSD	001
SHEET NUMBER		REVISION	
1 OF 5		B8	

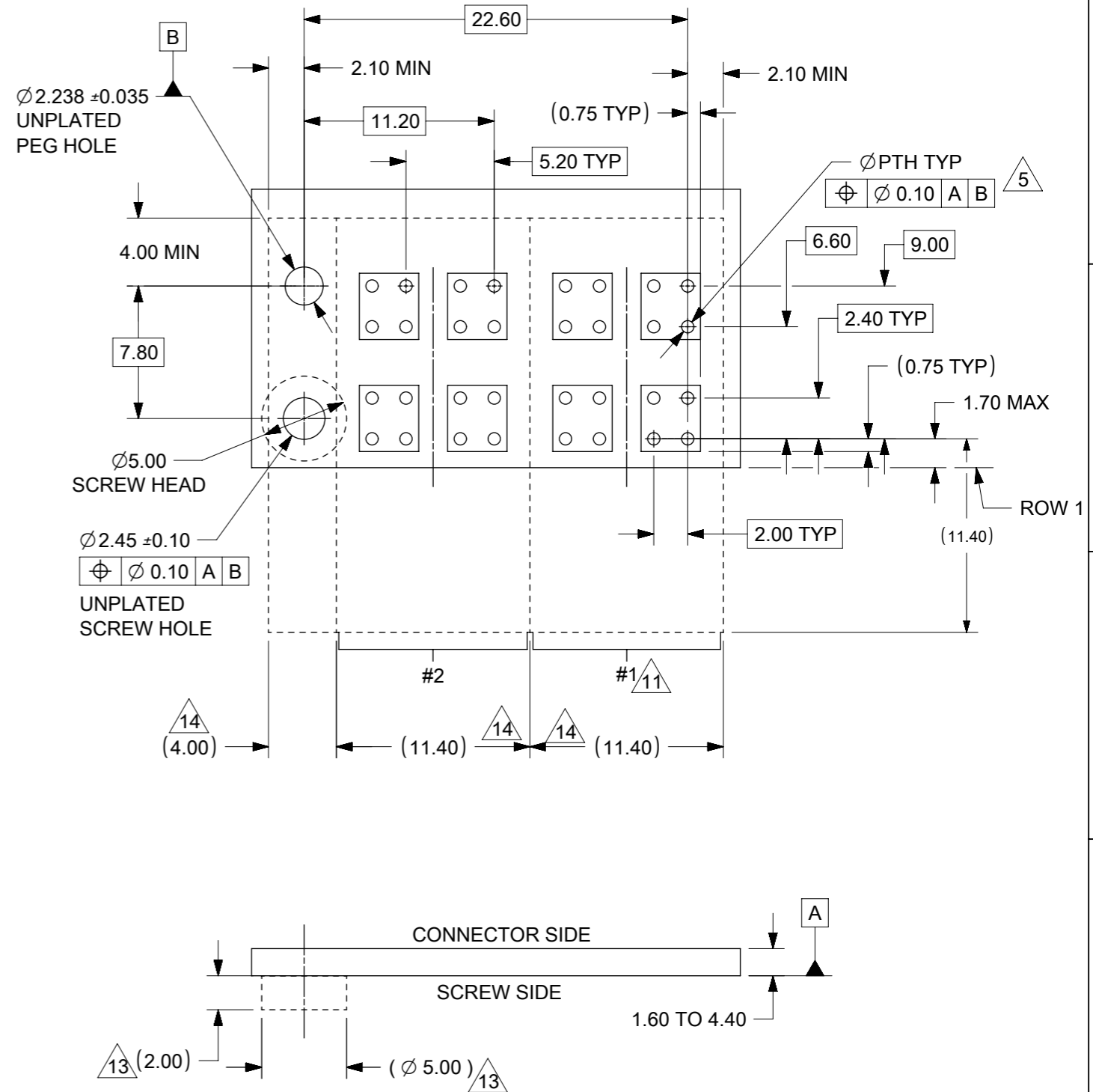
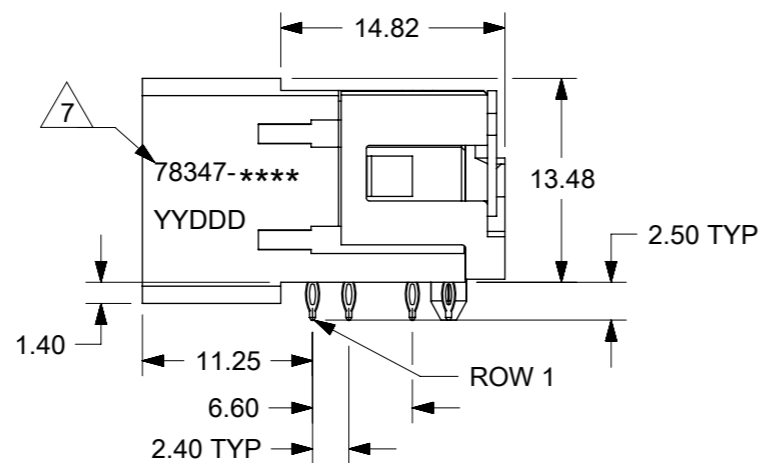
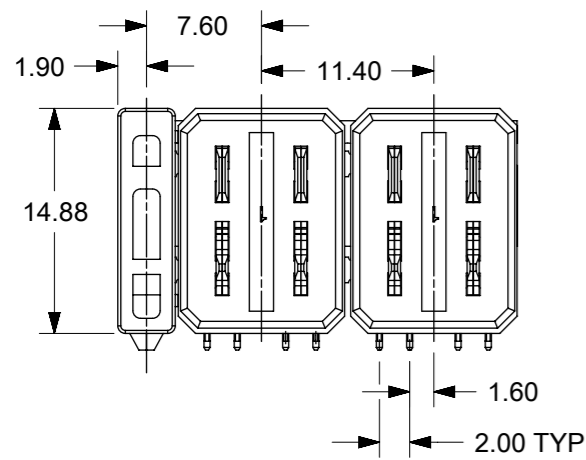
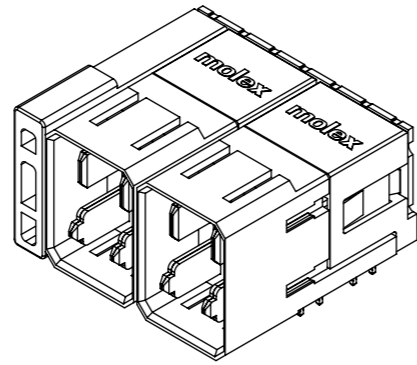
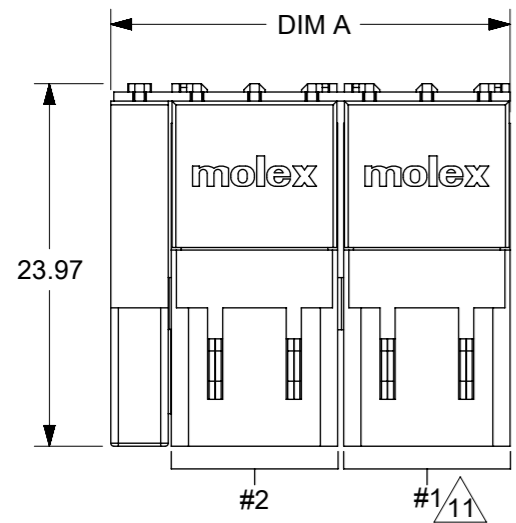
molex

IMPACT POWER, 3 PAIR
R/A HEADER W/HOLD DOWN PRESS-FIT

PRODUCT CUSTOMER DRAWING

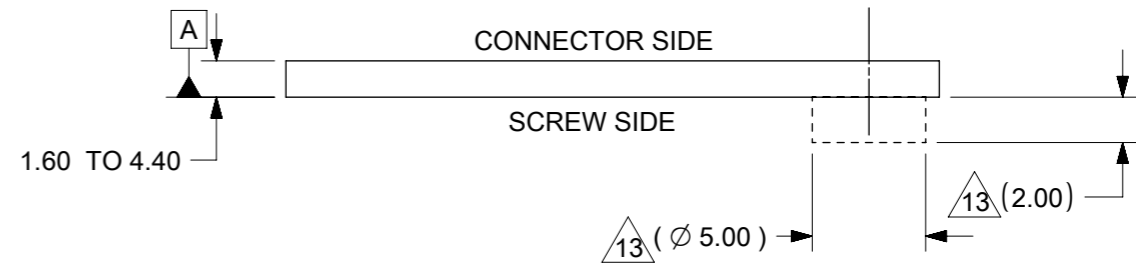
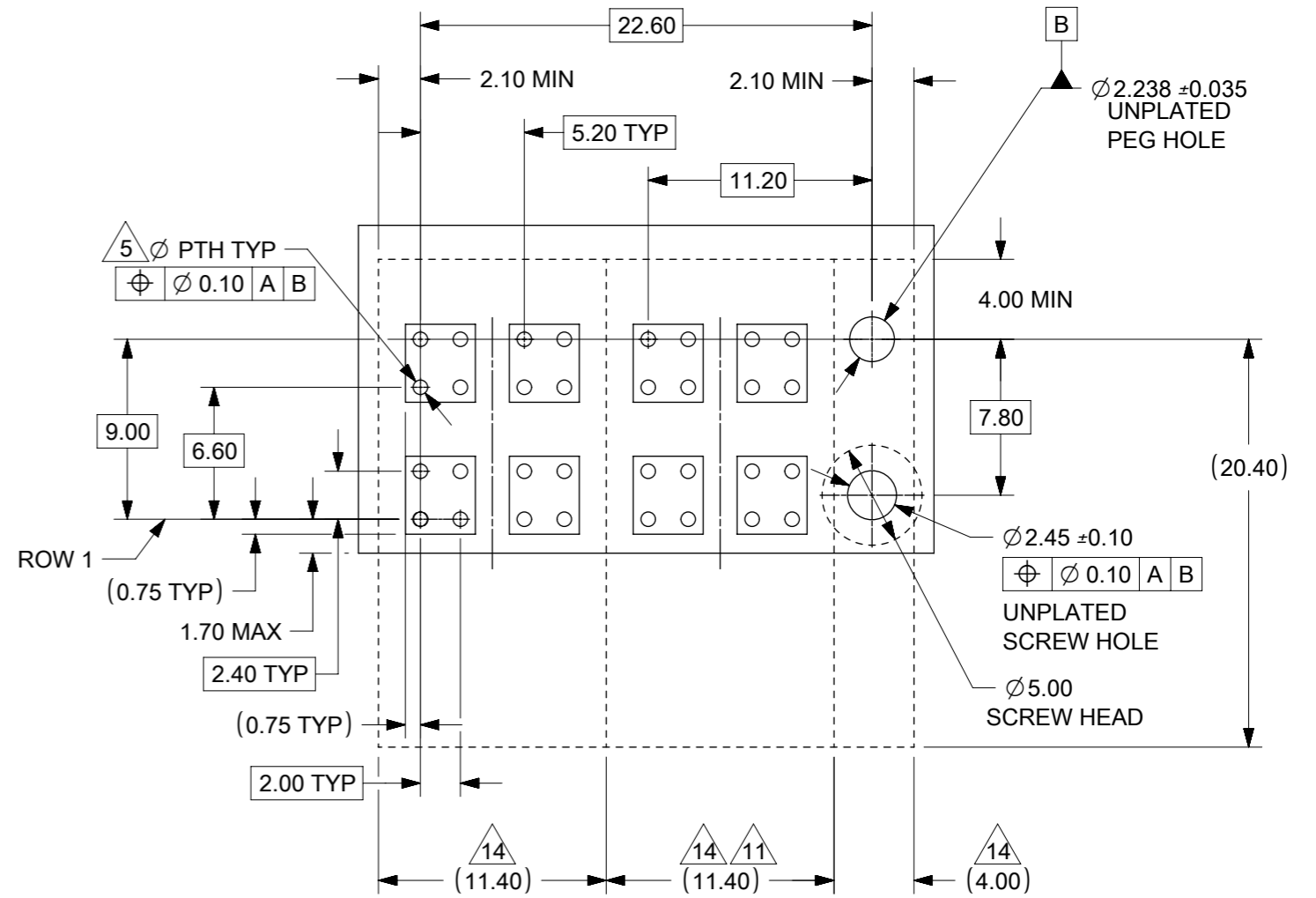
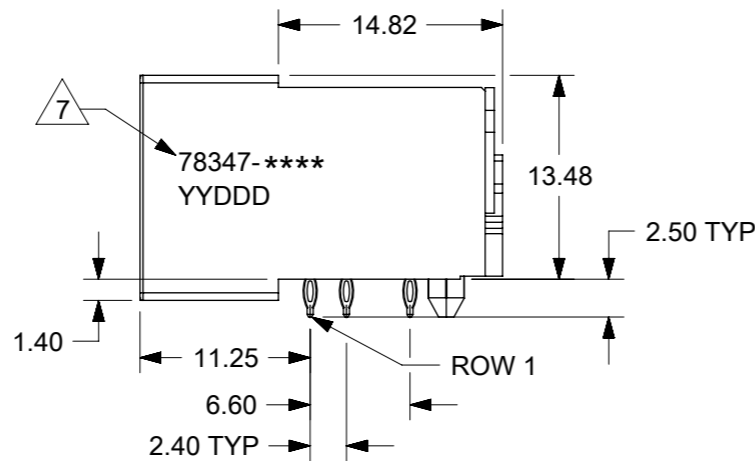
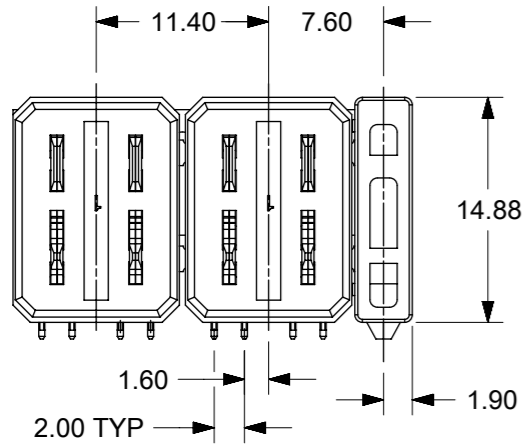
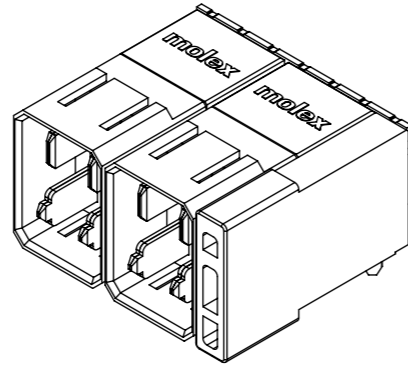
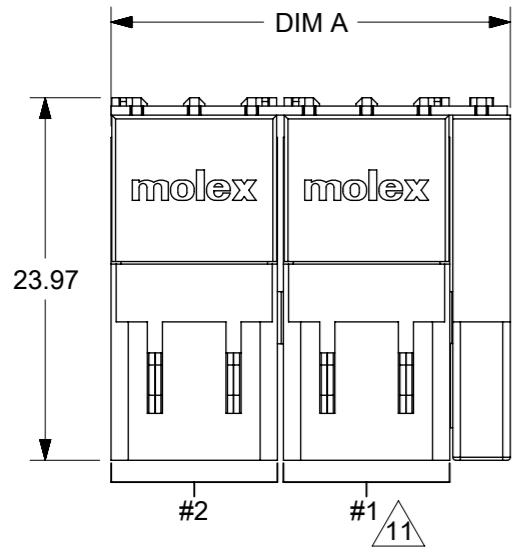
DOCUMENT NUMBER: SD-78347-001

LEFT HOLD DOWN OPTION

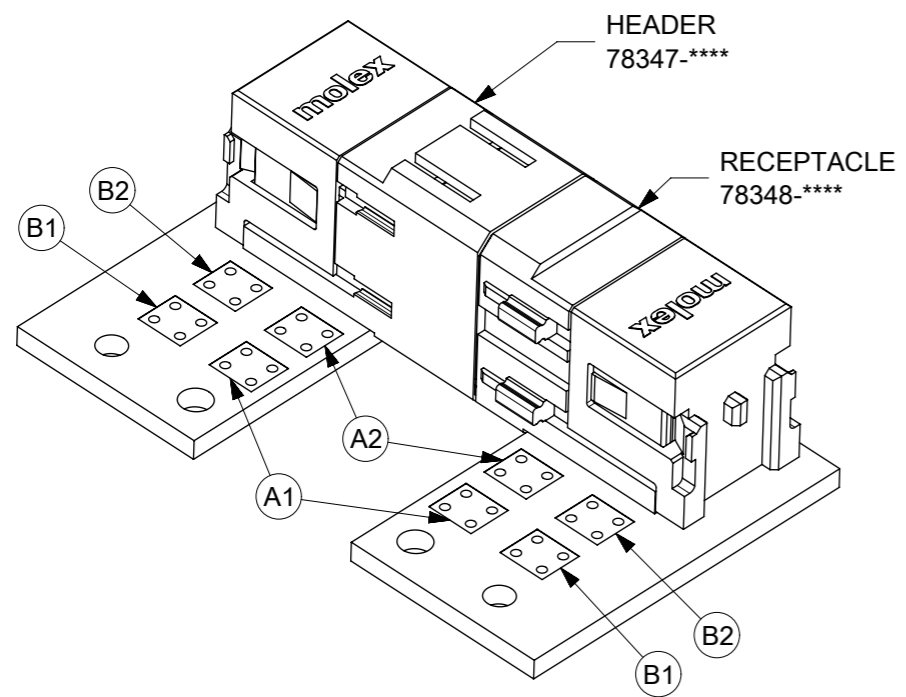


THIS DRAWING CONTAINS INFORMATION THAT IS PROPRIETARY TO MOLEX ELECTRONIC TECHNOLOGIES, LLC AND SHOULD NOT BE USED WITHOUT WRITTEN PERMISSION									
DIMENSION UNITS		SCALE		CURRENT REV DESC: MIGRATED TO NX					
mm		NTS		<p>IMPACT POWER, 3 PAIR R/A HEADER W/HOLD DOWN PRESS-FIT</p> <p>PRODUCT CUSTOMER DRAWING</p>					
GENERAL TOLERANCES (UNLESS SPECIFIED)									
ANGULAR TOL ± 3.0°									
4 PLACES ±									
3 PLACES ±									
2 PLACES ± 0.25				EC NO: 612508		DRWN: PSHANKARACHA 2019/01/17		CHK'D: ABN 2019/03/12	
1 PLACE ±				APPR: CWANG25 2019/03/13		INITIAL REVISION:		DOCUMENT NUMBER	
0 PLACES ±				DRWN: LNG 2010/08/11		APPR: SHONG 2011/02/08		SD-78347-001	
DRAFT WHERE APPLICABLE MUST REMAIN WITHIN DIMENSIONS		THIRD ANGLE PROJECTION		DRAWING		SERIES		MATERIAL NUMBER	
				A3-SIZE		78347		SEE TABLE	
				GENERAL MARKET		CUSTOMER		SHEET NUMBER	
								2 OF 5	

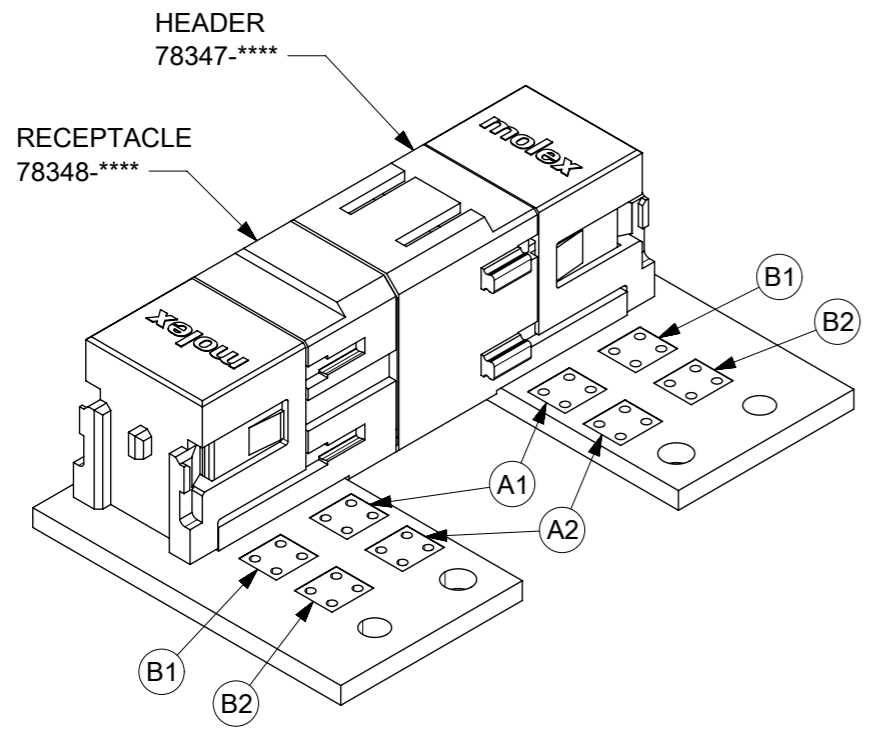
RIGHT HOLD DOWN OPTION



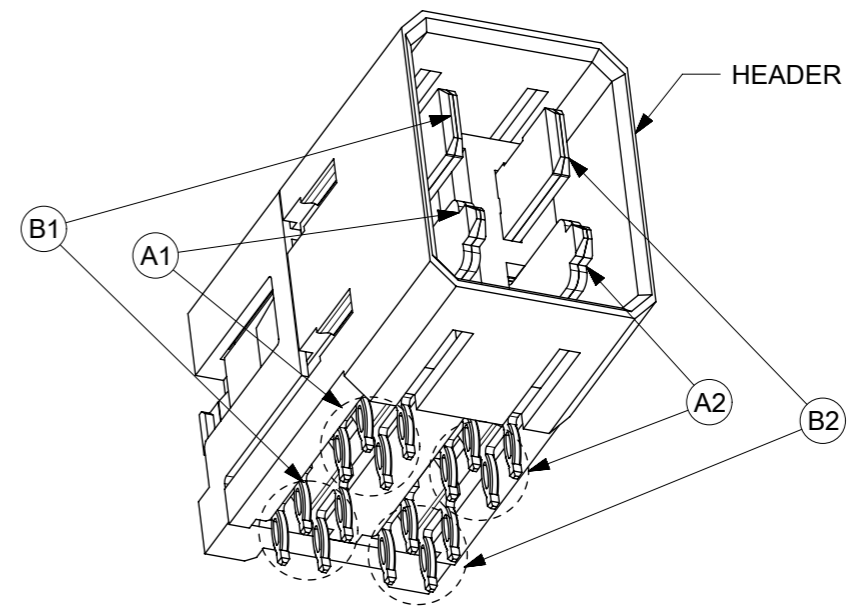
THIS DRAWING CONTAINS INFORMATION THAT IS PROPRIETARY TO MOLEX ELECTRONIC TECHNOLOGIES, LLC AND SHOULD NOT BE USED WITHOUT WRITTEN PERMISSION		CURRENT REV DESC: MIGRATED TO NX		molex	
DIMENSION UNITS	SCALE				
mm	NTS			IMPACT POWER, 3 PAIR R/A HEADER W/HOLD DOWN PRESS-FIT	
GENERAL TOLERANCES (UNLESS SPECIFIED)				PRODUCT CUSTOMER DRAWING	
ANGULAR TOL	± 3.0°	EC NO:	612508	DOCUMENT NUMBER	
4 PLACES	±	DRWN:	PSHANKARACHA 2019/01/17	SD-78347-001	
3 PLACES	±	CHK'D:	ABN 2019/03/12	DOC TYPE	DOC PART
2 PLACES	± 0.25	APPR:	CWANG25 2019/03/13	PSD	001
1 PLACE	±	INITIAL REVISION:		REVISION	
0 PLACES	±	DRWN:	LNG 2010/08/11	B8	
DRAFT WHERE APPLICABLE MUST REMAIN WITHIN DIMENSIONS		APPR:	SHONG 2011/02/08		
THIRD ANGLE PROJECTION		DRAWING	SERIES	MATERIAL NUMBER	CUSTOMER
		A3-SIZE	78347	SEE TABLE	GENERAL MARKET
				SHEET NUMBER	
				3 OF 5	



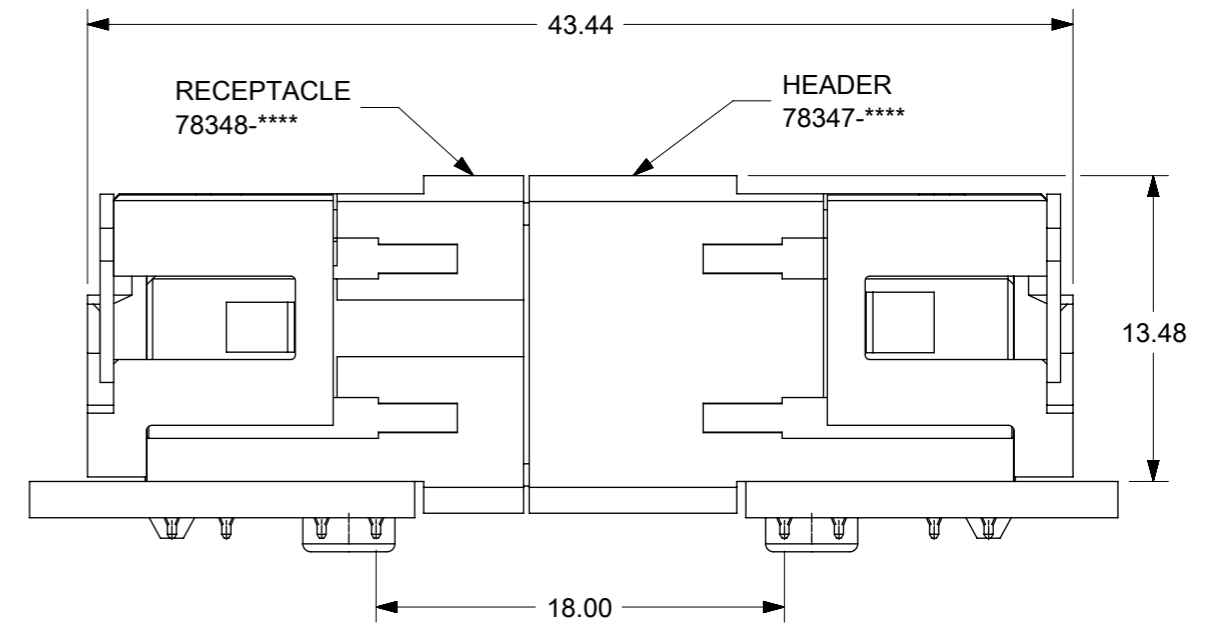
LEFT HOLD DOWN:
1 POWER MODULE AND HOLD DOWN REMOVED TO
ILLUSTRATE CIRCUIT PATH OF MATED SYSTEM



RIGHT HOLD DOWN:
1 POWER MODULE AND HOLD DOWN REMOVED TO
ILLUSTRATE CIRCUIT PATH OF MATED SYSTEM



PIN NUMBER ASSIGNMENT BASED ON HEADER SIDE:
A1, B1 ON THE LEFT,
A2, B2 ON THE RIGHT.



MATED SYSTEM OF 78347 & 78348

THIS DRAWING CONTAINS INFORMATION THAT IS PROPRIETARY TO MOLEX ELECTRONIC TECHNOLOGIES, LLC AND SHOULD NOT BE USED WITHOUT WRITTEN PERMISSION											
DIMENSION UNITS		SCALE		CURRENT REV DESC: MIGRATED TO NX						molex	
mm		NTS									
GENERAL TOLERANCES (UNLESS SPECIFIED)										EC NO: 612508 DRWN: PSHANKARACHA 2019/01/17 CHK'D: ABN 2019/03/12 APPR: CWANG25 2019/03/13 INITIAL REVISION: DRWN: LNG 2010/08/11 APPR: SHONG 2011/02/08	
ANGULAR TOL		± 3.0 °									
4 PLACES		±									
3 PLACES		±									
2 PLACES		± 0.25									
1 PLACE		±									
0 PLACES		±									
DRAFT WHERE APPLICABLE MUST REMAIN WITHIN DIMENSIONS				THIRD ANGLE PROJECTION		DRAWING		SERIES		MATERIAL NUMBER	
						A3-SIZE		78347		SEE TABLE	
DOCUMENT STATUS				P1		RELEASE DATE		2019/03/13		10:32:46	
CUSTOMER		GENERAL MARKET		SHEET NUMBER		4 OF 5		DOC TYPE		PSD	
DOC PART		001		REVISION		B8		DOCUMENT NUMBER		SD-78347-001	