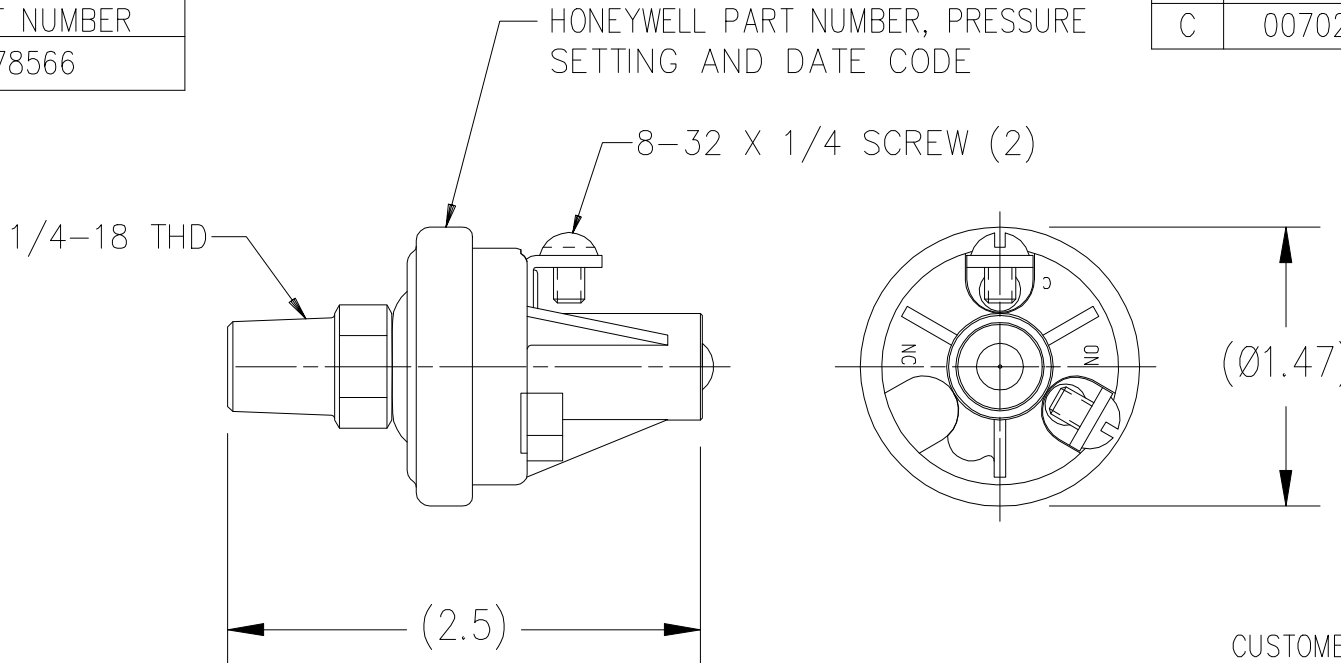


HONEYWELL PART NUMBER
78566

REV	DOCUMENT	CHANGED BY		CHECK
C	0070272	SBH	120CT10	CMH



NOTES:

1. SINGLE CIRCUIT NORMALLY OPEN PRESSURE SWITCH.
2. CLOSING ADJUSTMENT RANGE 3.1 - 7 PSI.
3. SWITCH IS FURNISHED WITH STEEL BASE ASSY. (.562 HEX) AS A STANDARD UNLESS BRASS BASE ASSY. (.562 HEX) IS SPECIFIED AS AN OPTION BY CUSTOMER ADDING SUFFIX "B" TO THE HONEYWELL PART NUMBER ON THE PURCHASE ORDER, e.g. XXXXXB.

CUSTOMER: _____

APPROVED BY: _____

DATE: _____

CUSTOMER
PART NO.: _____

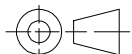
CUSTOMER PRINT

DESIGN UNITS: INCH

TOLERANCES UNLESS NOTED:

NO PLACES	X	±	-
ONE PLACE	.X	±	.020
TWO PLACE	.XX	±	.010
THREE PLACE	.XXX	±	.005
ANGLES	X	±	0° 30'

THIRD ANGLE PROJECTION



DRAWN	H.PAYNE	11MAR03
CHECK	-	-

THIS DRAWING COVERS A PROPRIETARY ITEM AND IS THE PROPERTY OF HONEYWELL. THIS DRAWING IS NOT TO BE COPIED OR USED WITHOUT THE PERMISSION OF HONEYWELL.

INTERPRET PER ASME Y14.5M-1994 OTHER HONEYWELL ENGINEERING STANDARDS MAY APPLY

AUTOCAD 2D

Honeywell

TITLE PRESSURE SWITCH N.O. SCREW TERMINALS 5000 SERIES SWITCH

SIZE	TYPE	CAGE CODE	DRAWING NAME	REV
A	I	-	78566	C

SCALE 1:1 SHEET 1 OF 1