

# Low-frequency accelerometer

## 786-500

### SPECIFICATIONS

<b>Sensitivity, <math>\pm 5\%</math>, 25°C</b>		500 mV/g
<b>Acceleration range, VDC &gt; 22 V</b>		10 g peak
<b>Amplitude nonlinearity</b>		1%
<b>Frequency response<sup>1</sup>:</b>	<b><math>\pm 5\%</math></b>	0.7 - 5,000 Hz
	<b><math>\pm 10\%</math></b>	0.5 - 9,000 Hz
	<b><math>\pm 3</math> dB</b>	0.2 - 14,000 Hz
<b>Resonance frequency</b>		30 kHz
<b>Transverse sensitivity, max</b>		5% of axial
<b>Temperature response:</b>	<b>-25°C</b>	-10%
	<b>+120°C</b>	+10%
<b>Power requirement:</b>		
<b>Voltage source</b>		18 - 30 VDC
<b>Current regulating diode</b>		2 - 10 mA
<b>Electrical noise, equiv. g<sup>1</sup>:</b>		
<b>Broadband</b>	<b>2.5 Hz to 25 kHz</b>	250 $\mu$ g
<b>Spectral</b>	<b>10 Hz</b>	2.5 $\mu$ g/ $\sqrt$ Hz
	<b>100 Hz</b>	1.5 $\mu$ g/ $\sqrt$ Hz
	<b>1,000 Hz</b>	1.5 $\mu$ g/ $\sqrt$ Hz
<b>Output impedance, max</b>		300 $\Omega$
<b>Bias output voltage</b>		12 VDC
<b>Grounding</b>		case isolated, internally shielded
<b>Temperature range</b>		-50° to +120°C
<b>Vibration limit</b>		500 g peak
<b>Shock limit</b>		5,000 g peak
<b>Electromagnetic sensitivity, equiv. g, max</b>		70 $\mu$ g/gauss
<b>Sealing</b>		hermetic
<b>Base strain sensitivity, max</b>		0.0002 g/ $\mu$ strain
<b>Sensing element design</b>		PZT, shear
<b>Weight</b>		90 grams
<b>Case material</b>		316L stainless steel
<b>Mounting</b>		1/4-28 UNF tapped hole
<b>Mating connector</b>		R6 type
<b>Recommended cabling</b>		J10 / J9T2A

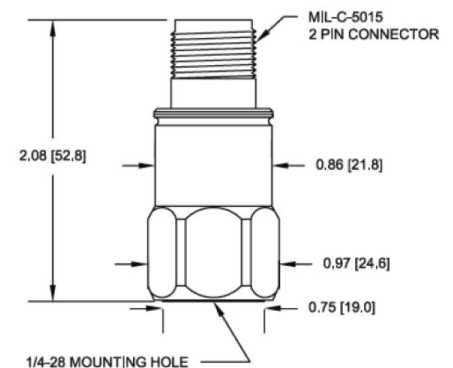
**Notes:** <sup>1</sup> Frequency response limits and spectral noise values are typical.

**Accessories supplied:** SF6 mounting stud (metric mounting available); calibration data (level 2)



### Key features

- Clear signals at low vibration levels
- Certified versions available for use in hazardous areas
- Ideal for slow-speed machinery
- Manufactured in ISO 9001 facility



Connections	
Function	Connector pin
power/signal	A
common	B
ground	shell



Note: Due to continuous process improvement, specifications are subject to change without notice.  
This document is cleared for public release.