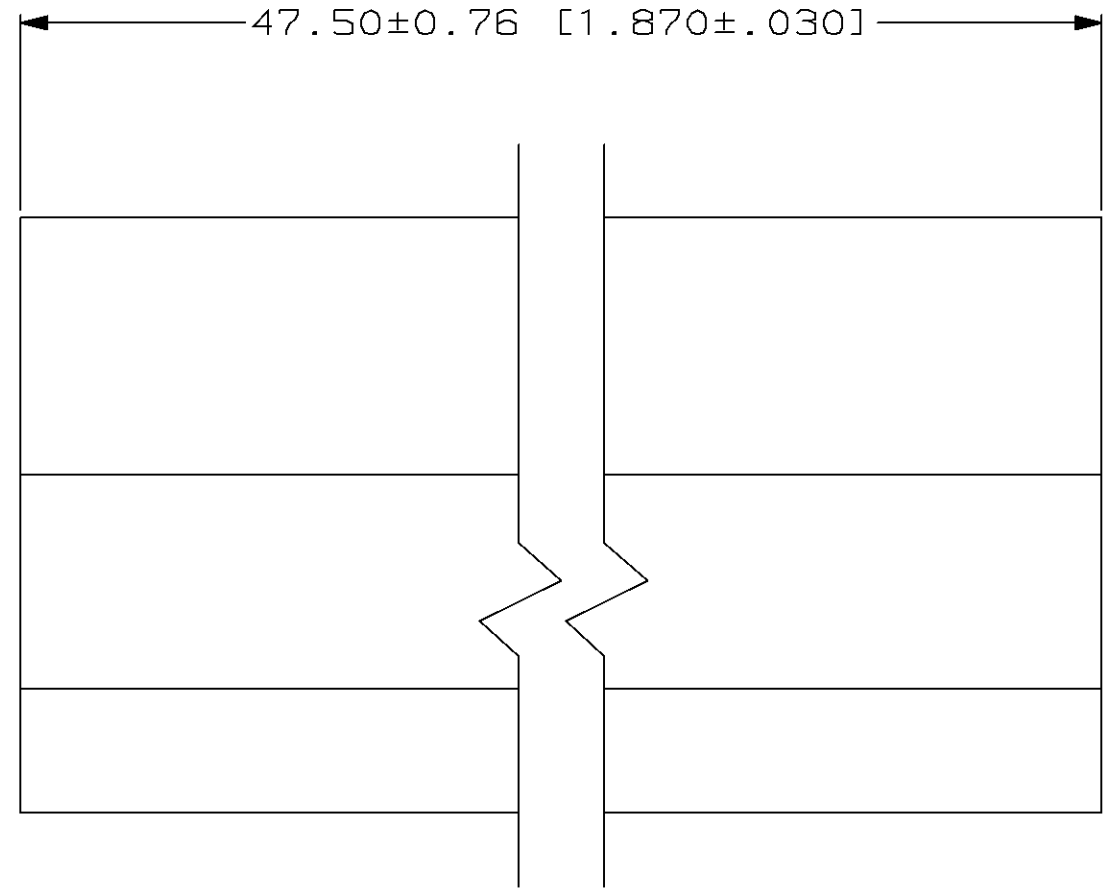
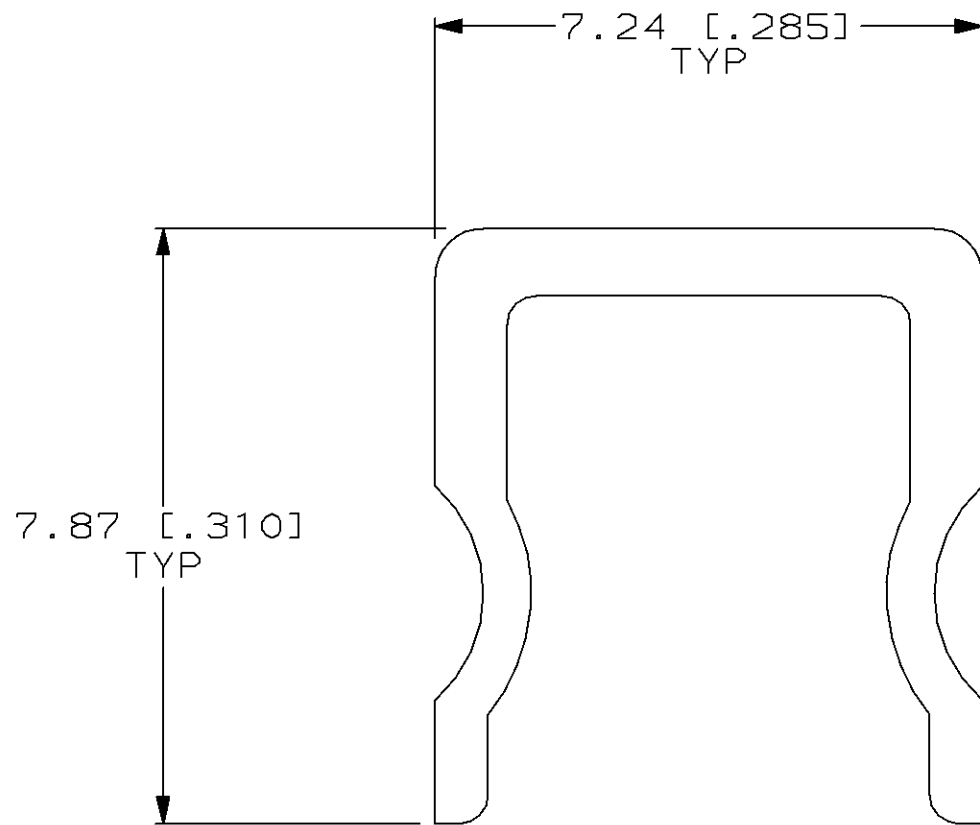


THIS DRAWING IS UNPUBLISHED. RELEASED FOR PUBLICATION, 19 .  
© COPYRIGHT 19 BY AMP INCORPORATED. ALL INTERNATIONAL RIGHTS RESERVED.

LOC	DIST	P	F	ZONE	LTR	DESCRIPTION	DATE	APPD
AR	84				0	RELEASED PER NPR4739, WAS 92-0682-50	4/28/93	-
					A	REV PER EC 0020-681-93	07/01/93	JS



786854-1  
PART NUMBER

DO NOT SCALE PRINT. UNLESS SPECIFIED DIMENSIONS IN mm [INCHES] TOLERANCES ON: 2 PLC DEC ± 0.13 [.005] 3 PLC DEC ± - ANGLES ± -	DR 4/28/93 W.LENKER	<b>AMP</b> AMP Incorporated Harrisburg, PA 17105-3608
	CHK 4-28-93 R.STONE	
	APPD 4-28-93 J.SWAIN	
	APPD 4-28-93 J.FULPONI	
MATERIAL POLYSTYRENE, BLUE	PRODUCT SPEC -	NAME DUST COVER, RCPT HSG, .050, CHAMP™
FINISH -	APPLICATION SPEC -	SIZE <b>B</b> CAGE CODE 00779 DRAWING NO <b>C=786854</b>
	WEIGHT -	SCALE 10:1 SHEET 1 OF 1

THIS DRAWING IS A CONTROLLED DOCUMENT FOR AMP INCORPORATED. IT IS SUBJECT TO CHANGE AND THE CONTROLLING ENGINEERING ORGANIZATION SHOULD BE CONTACTED FOR THE LATEST REVISION.