

Integral cable accelerometer

786F-1

SPECIFICATIONS

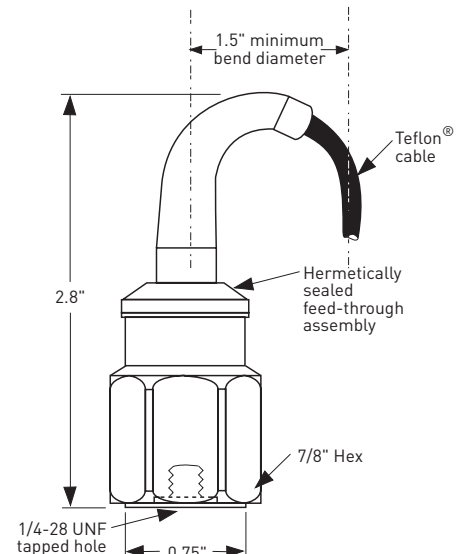
Sensitivity, $\pm 5\%$, 25°C		100 mV/g
Acceleration range		80 g peak
Amplitude nonlinearity		1%
Frequency response, nominal:	$\pm 10\%$	1 - 8,000 Hz
	± 3 dB	0.5 - 13,000 Hz
Resonance frequency		30 kHz
Transverse sensitivity, max		5% of axial
Temperature response:	-50°C	-5%
	+120°C	+5%
Power requirement:		
Voltage source		18 - 30 VDC
Current regulating diode		2 - 10 mA
Electrical noise, equiv. g:		
Broadband	2.5 Hz to 25 kHz	700 μ g
	10 Hz	10 μ g/ \sqrt Hz
	100 Hz	5 μ g/ \sqrt Hz
	1,000 Hz	5 μ g/ \sqrt Hz
Output impedance, max		100 Ω
Bias output voltage		12 VDC
Grounding		case isolated, internally shielded
Temperature range		-50° to +120°C
Vibration limit		500 g
Shock limit, min		5,000 g
Electromagnetic sensitivity, equiv. g, max		70 μ g/gauss
Sealing		hermetic
Base strain sensitivity, max		0.0002 g/ μ strain
Hydrostatic pressure		100 psi
Sensing element design		PZT ceramic / shear
Weight		90 grams (excluding cable)
Case material		316L stainless steel
Mounting		1/4-28 UNF tapped hole
Integral cabling		J9T2A, 16 ft., stripped and tinned, shield isolated from case

Accessories supplied: SF6 mounting stud; calibration data (level 2)



Key features

- Usable in submerged applications up to 30 ft.
- Manufactured in ISO 9001 facility



Connections	
Function	Cable conductor
power/signal	white
common	black
N/C	shield



Note: Due to continuous process improvement, specifications are subject to change without notice. This document is cleared for public release.