

# Class I Div 2 certified dual output sensor




## 786T-D2

### SPECIFICATIONS

<b>Sensitivity, ±5%, 25°C</b>		100 mV/g
<b>Acceleration range, VDC &gt; 25 V</b>		80 g peak
<b>Amplitude nonlinearity</b>		1%
<b>Frequency response:</b>	±5%	3 - 5,000 Hz
	±10%	1 - 7,000 Hz
	±3 dB	0.5 - 12,000 Hz
<b>Resonance frequency</b>		30 kHz
<b>Transverse sensitivity, max</b>		5% of axial
<b>Temperature response:</b>	-25°C	-10%
	+120°C	+10%
<b>Temperature sensor:</b>		
	<b>Output sensitivity</b>	10 mV/°C
	<b>Measurement range</b>	2° to 120°C
<b>Power requirement:</b>	<b>Voltage source</b>	18 - 30 VDC
	<b>Current regulating diode</b>	2 - 10 mA
<b>Electrical noise, equiv. g:</b>		
<b>Broadband</b>	<b>2.5 Hz to 25 kHz</b>	700 µg
<b>Spectral</b>	<b>10 Hz</b>	10 µg/√Hz
	<b>100 Hz</b>	5 µg/√Hz
	<b>1,000 Hz</b>	5 µg/√Hz
<b>Output impedance, max</b>		100 Ω
<b>Bias output voltage, nominal</b>		12 VDC
<b>Grounding</b>		case isolated, internally shielded
<b>Temperature range</b>		-50° to +120°C
<b>Vibration limit</b>		500 g peak
<b>Shock limit</b>		5,000 g peak
<b>Electromagnetic sensitivity, equiv. g, max</b>		70 µg/gauss
<b>Sealing</b>		hermetic
<b>Base strain sensitivity, max</b>		0.0002 g/µstrain
<b>Sensing element design</b>		PZT, shear
<b>Weight</b>		90 grams
<b>Case material</b>		316L stainless steel
<b>Mounting</b>		1/4-28 UNF tapped hole
<b>Output connector</b>		3 pin, MIL-C-5015 style
<b>Mating connector</b>		R6G
<b>Recommended cabling</b>		J9T3A

Accessories supplied: SF6 mounting stud; calibration data (level 2)

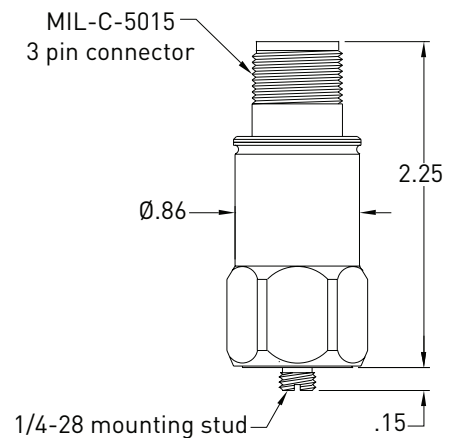
### Certifications

	Class I, Div 2 Groups A, B, C, D Class I, Zone 2 AEx/Ex nA II T4 Tamb: -50°C to 120°C		II 3 G Ex nA IIC T4 Gc	
	Must be installed per 13029. • Ambient temperature range depends on the type cable used during installation. • Cable with FEP jacket, Ta=-50°C to +120°C. • Cable with Santoprene jacket, Ta=-45°C to +115°C.			



### Key features

- Accelerometer with internal temperature sensor
- Certified for use in Class I Div 2 hazardous areas
- Manufactured in ISO 9001 facility



Connections	
Function	Connector pin
accelerometer power / signal	A
accelerometer and temp sensor common	B
temp sensor signal	C
ground / case	shell

Note: Due to continuous process improvement, specifications are subject to change without notice. This document is cleared for public release.