

Piezoelectric velocity transducer

786V

SPECIFICATIONS

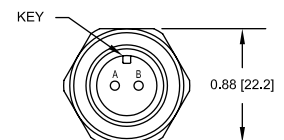
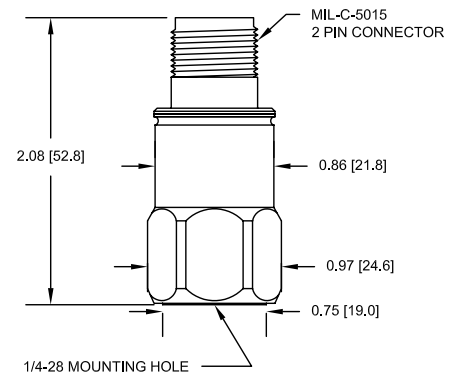
Sensitivity, $\pm 5\%$, 25°C		100 mV/in/sec
Velocity range		50 in/sec peak
Amplitude nonlinearity		$\pm 1\%$ of F.S.
Frequency response:	$\pm 10\%$ ± 3 dB	2 - 6,000 Hz 1 - 12,000 Hz
Resonance frequency, nominal		30 kHz
Transverse sensitivity, max		5% of axial
Power requirement:		
Voltage source		18 - 30 VDC
Current regulating diode		2 - 10 mA
Electrical noise, equiv. in/sec, nominal:		
Broadband	2.5 Hz to 25 kHz	2,050 μ in/sec rms
Spectral	10 Hz	250 μ in/sec/ $\sqrt{\text{Hz}}$
	100 Hz	12 μ in/sec/ $\sqrt{\text{Hz}}$
	1,000 Hz	5 μ in/sec/ $\sqrt{\text{Hz}}$
Output impedance, max		200 Ω
Bias output voltage, nominal		12 VDC
Grounding		case isolated, internally shielded
Temperature range		-50° to +120°C
Vibration limit		500 g peak
Shock limit		5,000 g peak
Electromagnetic sensitivity, equiv. in/sec		25 μ in/sec/gauss
Sealing		hermetic
Relative humidity		100%
Protection rating		IP67
Sensing element design		PZT, shear
Weight		90 grams
Case material		316L stainless steel
Mounting		1/4-28 UNF tapped hole
Output connector		2 pin, MIL-C-5015 style
Mating connector		R6 type
Recommended cabling		J9T2A

Accessories supplied: SF6 mounting stud; calibration data (level 2)



Key features

- Internally integrated to velocity
- High frequency range
- Manufactured in ISO 9001 facility



Connections	
Function	Connector pin
power/signal	A
common	B
ground	shell



Note: Due to continuous process improvement, specifications are subject to change without notice. This document is cleared for public release.