

## DESCRIPTION

The 78P2352 is Teridian's second generation Line Interface Unit (LIU) for 155 Mbps SDH/SONET (OC-3, STS-3, or STM-1) and 140 Mbps PDH (E4) telecom interfaces. The device is a dual channel, single chip solution that includes an integrated CDR in the transmit path for flexible NRZ to CMI conversion. The device can interface to 75Ω coaxial cable using CMI coding or directly to a fiber optics transceiver module using NRZ coding. The 78P2352 is compliant with all respective ANSI, ITU-T, and Telcordia standards for jitter tolerance, generation, and transfer.

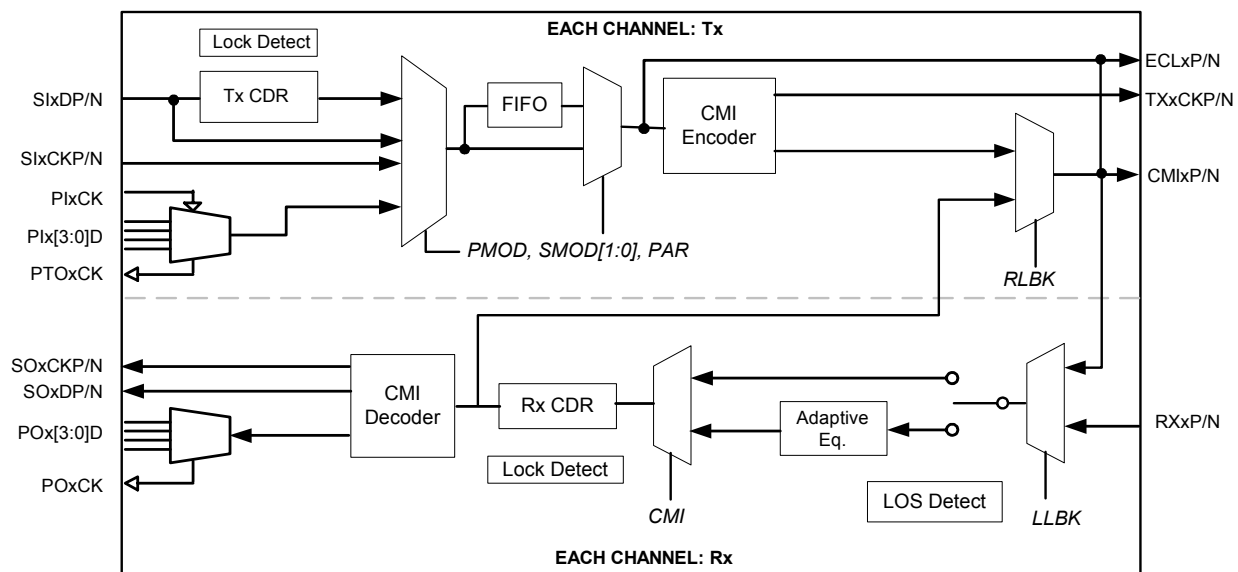
## APPLICATIONS

- Central Office Interconnects
- DSLAMs
- Add Drop Multiplexers (ADMs)
- Multi Service Switches
- Digital Microwave Radios

## FEATURES

- ITU-T G.703 compliant cable driver for 139.264 Mbps or 155.52 Mbps CMI-coded coax transmission
- Integrated adaptive CMI equalizer and CDR in receive path handles over 12.7dB of cable loss
- Serial, LVPECL system interface with integrated CRU in transmit path for flexible NRZ to CMI conversion.
- 4-bit parallel CMOS system interface with master and slave Tx clock modes.
- Selectable LVPECL compatible NRZ media interface for 155.52 Mbps optical transmission.
- Configurable via HW control pins or 4-wire serial port interface
- Compliant with ANSI T1.105.03-1994; ITU-T G.751, G.813, G.823, G.825, G.958; and Telcordia GR-253-CORE for jitter performance.
- Receiver Loss of Signal (LOS) detection compatible with ITU-T G.783
- Operates from a single 3.3V supply
- Standard and thermally enhanced 128-pin JEDEC LQFP package options

## BLOCK DIAGRAM



<b>TABLE OF CONTENTS</b> .....	<b>2</b>
<b>FUNCTIONAL DESCRIPTION</b> .....	<b>4</b>
<b>MODE SELECTION</b> .....	<b>4</b>
<b>REFERENCE CLOCK</b> .....	<b>4</b>
<b>RECEIVER OPERATION</b> .....	<b>4</b>
<i>Receiver Monitor Mode</i> .....	<b>4</b>
<i>Receive Loss of Signal</i> .....	<b>5</b>
<i>Receive Loss of Lock</i> .....	<b>5</b>
<b>TRANSMITTER OPERATION</b> .....	<b>5</b>
<i>Synchronous (Re-timing) Tx Serial Modes</i> .....	<b>5</b>
<i>Plesiochronous Serial Modes</i> .....	<b>6</b>
<i>Synchronous Parallel Modes</i> .....	<b>6</b>
<i>Transmit FIFO Description</i> .....	<b>6</b>
<i>Transmit Driver</i> .....	<b>7</b>
<i>Clock Synthesizer</i> .....	<b>7</b>
<i>Transmit Backplane Equalizer</i> .....	<b>7</b>
<i>Transmit Loss of Lock</i> .....	<b>7</b>
<b>POWER-DOWN FUNCTION</b> .....	<b>7</b>
<b>ANALOG LOOPBACK MODES</b> .....	<b>7</b>
<b>POWER-ON RESET</b> .....	<b>7</b>
<b>SERIAL CONTROL INTERFACE</b> .....	<b>8</b>
<b>PROGRAMMABLE INTERRUPTS</b> .....	<b>8</b>
<b>REGISTER DESCRIPTION</b> .....	<b>9</b>
<b>REGISTER ADDRESSING</b> .....	<b>9</b>
<b>REGISTER TABLE</b> .....	<b>9</b>
<b>LEGEND</b> .....	<b>10</b>
<b>GLOBAL REGISTERS</b> .....	<b>10</b>
<b>ADDRESS 0-0: MASTER CONTROL REGISTER</b> .....	<b>10</b>
<b>ADDRESS 0-1: INTERRUPT CONTROL REGISTER</b> .....	<b>11</b>
<b>PORT-SPECIFIC REGISTERS</b> .....	<b>12</b>
<b>ADDRESS N-0: MODE CONTROL REGISTER</b> .....	<b>12</b>
<b>ADDRESS N-1: SIGNAL CONTROL REGISTER</b> .....	<b>13</b>
<b>ADDRESS N-2: ADVANCED TX CONTROL REGISTER 1</b> .....	<b>14</b>
<b>ADDRESS N-3: ADVANCED TX CONTROL REGISTER 0</b> .....	<b>14</b>
<b>ADDRESS N-4: MODE CONTROL REGISTER 2</b> .....	<b>14</b>
<b>ADDRESS N-5: STATUS MONITOR REGISTER</b> .....	<b>15</b>
<b>PIN DESCRIPTION</b> .....	<b>16</b>
<b>LEGEND</b> .....	<b>16</b>
<b>TRANSMITTER PINS</b> .....	<b>16</b>
<b>RECEIVER PINS</b> .....	<b>17</b>
<b>REFERENCE AND STATUS PINS</b> .....	<b>18</b>
<b>CONTROL PINS</b> .....	<b>19</b>
<b>SERIAL-PORT PINS</b> .....	<b>21</b>
<b>POWER AND GROUND PINS</b> .....	<b>21</b>

**TABLE OF CONTENTS** (continued)

<b>ELECTRICAL SPECIFICATIONS</b> .....	<b>22</b>
<b>ABSOLUTE MAXIMUM RATINGS</b> .....	<b>22</b>
<b>RECOMMENDED OPERATING CONDITIONS</b> .....	<b>22</b>
<b>DC CHARACTERISTICS</b> .....	<b>22</b>
<b>ANALOG PINS CHARACTERISTICS</b> .....	<b>23</b>
<b>DIGITAL I/O CHARACTERISTICS</b> .....	<b>23</b>
<u>Pins of type CI, CIU, CID</u> .....	23
<u>Pins of type CIT</u> .....	23
<u>Pins of type CIS</u> .....	23
<u>Pins of type CO and COZ</u> .....	24
<u>Pins of type PO</u> .....	24
<u>Pins of type PI</u> .....	24
<u>Pins of type OD</u> .....	24
<b>SERIAL-PORT TIMING CHARACTERISTICS</b> .....	<b>25</b>
<b>TRANSMITTER TIMING CHARACTERISTICS</b> .....	<b>26</b>
<b>TIMING DIAGRAM: Transmitter Waveforms</b> .....	<b>26</b>
<b>REFERENCE CLOCK CHARACTERISTICS</b> .....	<b>27</b>
<b>RECEIVER TIMING CHARACTERISTICS</b> .....	<b>27</b>
<b>TIMING DIAGRAM: Receive Waveforms</b> .....	<b>27</b>
<b>TRANSMITTER SPECIFICATIONS FOR CMI INTERFACE</b> .....	<b>28</b>
<b>TRANSMITTER OUTPUT JITTER</b> .....	<b>33</b>
<b>RECEIVER SPECIFICATIONS FOR CMI INTERFACE (Transformer-coupled)</b> .....	<b>34</b>
<b>RECEIVER JITTER TOLERANCE</b> .....	<b>35</b>
<b>RECEIVER JITTER TRANSFER FUNCTION</b> .....	<b>37</b>
<b>CMI MODE LOSS OF SIGNAL CONDITION</b> .....	<b>38</b>
<b>APPLICATION INFORMATION</b> .....	<b>38</b>
<b>EXTERNAL COMPONENTS</b> .....	<b>38</b>
<b>(CMI) TRANSFORMER SPECIFICATIONS</b> .....	<b>38</b>
<b>THERMAL INFORMATION</b> .....	<b>38</b>
<b>MECHANICAL SPECIFICATIONS</b> .....	<b>39</b>
<b>PACKAGE INFORMATION (pinout)</b> .....	<b>41</b>
<b>ORDERING INFORMATION</b> .....	<b>41</b>
<b>Revision History</b> .....	<b>42</b>

## FUNCTIONAL DESCRIPTION

The 78P2352 contains all the necessary transmit and receive circuitry for connection between 139.264Mbps and 155.52Mbps line interfaces and the digital universe. The chip is controllable through pins or serial port register settings.

In hardware mode (pin control) the SPSL pin must be low.

In software mode (SPSL pin high), control pins are disabled and the 78P2352 must be configured via the 4-wire serial port.

## MODE SELECTION

The SDO\_E4 pin or E4 register bit determines which rate the device (both channels) operates in according to the table below. This control, combined with CKSL, also selects the global reference clock frequency.

Rate	SDO_E4 pin	E4 bit
E4	High	1
STM-1, STS-3, OC-3	Low	0

The SEN\_CMI pin or CMI register bit enables the CMI encoder/decoder and selects one of two media for reception and transmission: 75Ω coaxial cable in CMI mode or optical fiber in Fiber (NRZ) mode. Independent channel operation for media type is available with register controls only.

Media (coding)	SEN_CMI pin	CMI bit
75Ω Coax (CMI)	High	1
Fiber (NRZ)	Low	0

The SDI\_PAR pin or PAR register bit selects the interface to the framer to be 4-bit parallel CMOS or serial LVPECL. For each interface there are different transmit timing modes available. See TRANSMITTER OPERATION section for more info.

## REFERENCE CLOCK

The 78P2352 requires a reference clock supplied to the CKREFP/N pins. This reference clock is used for clock recovery in the Rx DLL and Tx DLL. It is also used for transmit re-timing in the synchronous transmit modes. Refer to the TRANSMITTER OPERATION section for timing requirements during synchronous (re-timing) transmit modes.

For reference frequencies of 77.76MHz or lower, the device accepts a single ended CMOS input at CKREFP (with CKREFN grounded). For reference frequencies of 139.264 or 155.52MHz, the device accepts a differential LVPECL clock input at CKREFP/N.

The frequency of this reference input is controlled by the rate selection and the CKSL control pin or register bit.

CKSL pin	Reference Frequency	
	SDO_E4 low	SDO_E4 high
Low	19.44MHz	17.408MHz
Float	77.76MHz	N/A
High	155.52MHz	139.264MHz
CKSL[1:0] bits	E4 bit = 0	E4 bit = 1
0 0	19.44MHz	17.408MHz
1 0	77.76MHz	N/A
1 1	155.52MHz	139.264MHz

## RECEIVER OPERATION

The receiver accepts serial data, at 155.52Mbps or 139.264Mbps from the RXxP/N inputs. In CMI mode, the input is differentially terminated with 75Ω and transformer-coupled to a coaxial connector. In Fiber (NRZ) mode, the input is differentially terminated with 100Ω and AC-coupled to an optical transceiver module. For board designs utilizing both coax and fiber media options, an analog switch or mechanical relay is required to switch between the different terminations and media paths.

The CMI signal first enters an AGC and adaptive equalizer designed to overcome inter-symbol interference caused by long cable lengths. The variable gain differential amplifier automatically controls the gain to maintain a constant voltage level output regardless of the input voltage level. Note that in Fiber (NRZ) mode, the input signals bypass the adaptive equalizer.

The outputs of the data comparators are connected to the clock recovery circuits. The clock recovery system employs a Delay Locked Loop (DLL), which uses a reference frequency derived from the clock applied to the CKREFP/N pins.

In serial mode, the clock and data are decoded and transmitted through the LVPECL drivers. In parallel mode, the data is decoded and converted into four bit parallel segments before being transmitted through the CMOS drivers. Note that in Fiber (NRZ) mode, the CMI decoder is bypassed.

### Receiver Monitor Mode

In CMI mode, the SCK\_MON pin or MONx register bit enables the receiver's monitor mode which adds approximately 20dB of **flat gain** to the receive signal before equalization. Rx Monitor Mode can handle 20dB of flat loss typical of monitoring points with up to 6dB of cable loss. Note that Loss of Signal detection is disabled during Rx Monitor Mode.

**Receive Loss of Signal**

The 78P2352 includes a Loss of Signal (LOS) detector. When the peak value of the received CMI signal is less than approximately 19dB below nominal for approximately 110 UI, Receive Loss of Signal is asserted. The Rx LOS signal is cleared when the received signal is greater than approximately 18dB below nominal for 110 UI.

In ECL mode, the LOSx signal will be asserted when there are no transitions for longer than 2.3µs. The signal is cleared when there are more than 4 transitions in 32 UI. It is generally recommended to use the LOS status signal from the optical transceiver module.

During Rx LOS conditions, the receive clock will remain on the last selected phase tap of the Rx DLL outputting a stable clock while the receive data outputs are squelched and held at logic '0'.

**Note:** Rx Loss of Signal detection is disabled during Local Loopback and Receive Monitor Modes.

**Receive Loss of Lock**

The 78P2352 includes an optional Receiver Loss of Lock detector that will flag if the recovered Rx clock frequency differs from the reference clock by more than ±100ppm in an interval greater than 420µs. This condition is cleared when the frequencies are less than ±100ppm off for more than 500µs.

**Notes:**

1. During Rx Loss of Signal (RLOS), the Rx Loss of Lock indicator is undefined and may report either status.
2. For reliable operation, the LOLOR bit in the Signal Control register should be toggled upon power-up and configuration.

**TRANSMITTER OPERATION**

At the media interface, the transmit driver generates an analog signal for transmission through either a transformer and 75Ω coaxial cable or directly to a fiber optics transceiver for electrical to optical conversion.

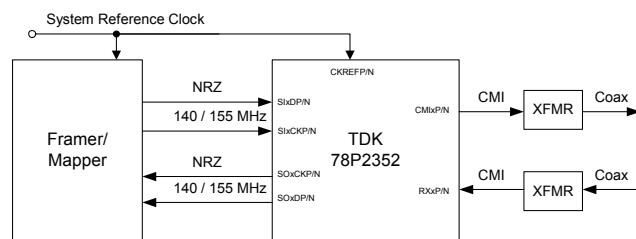
At the host interface, the 78P2352 provides a number interface options for compatibility with most off-the-shelf framers and custom ASICs. A selectable 4-bit parallel or nibble interface is available with both slave or master timing options as well a serial LVPECL interface with various timing recovery modes.

Each of the serial NRZ transmit timing modes can be configured in HW mode or SW mode as shown in the table below.

Serial Mode	HW Control Pins		SW Control Bits	
	SDI_PAR	CKMODE	PAR	SMOD[1:0]
Synchronous clock + data	Low	Low	0	0 0
Synchronous data only	Low	Floating	0	1 0
Plesiochronous data only	Low	High	0	0 1
Loop-timing	n/a	n/a	X	1 1

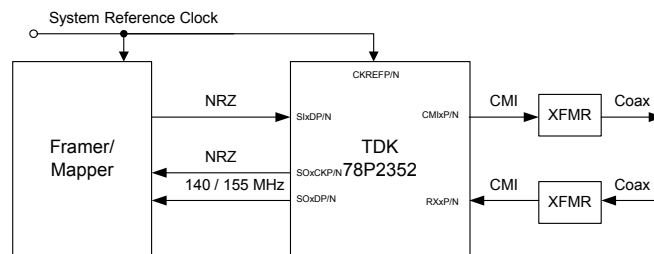
**Synchronous (Re-timing) Tx Serial Modes**

In **Figure 1**, serial NRZ transmit data is input to SIDxP/N pins at LVPECL levels. By default, the data is latched in on the rising edge of SICKxP. An integrated FIFO decouples the on chip and off chip clocks and re-clocks the data using a clean synthesized clock generated from the provided reference clock. As such, the SICKxP/N clock provided by the framer/mapper IC **for both channels must be source synchronous** with the provided reference clock when the FIFO is used.



**Figure 1: Synchronous clock and data available (Tx CDR bypassed, FIFO enabled)**

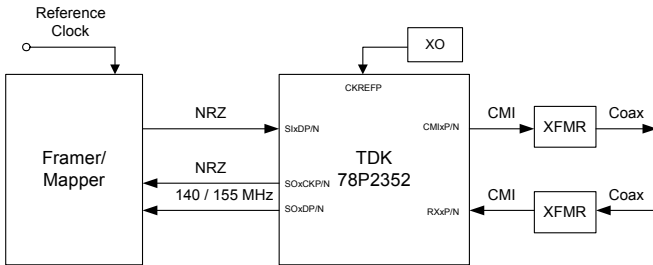
If an off-chip serial transmit clock is not available, as in **Figure 2**, the 78P2352 can recover a Tx clock from the serial NRZ data input and pass the data through the clock decoupling FIFO. The data is then re-clocked or re-timed using a clean synthesized clock generated from the provided reference clock. In this mode, the NRZ transmit source data **for both channels must be source synchronous** with the reference clock applied at CKREFP/N.



**Figure 2: Synchronous data only (Tx CDR enabled, FIFO enabled)**

**Plesiochronous Tx Serial Mode**

Figure 3 represents a common condition where a serial transmit clock is not available and/or the data is not source synchronous to the reference clock input. In this mode, the 78P2352 will recover a transmit clock from the serial plesiochronous data and bypass the internal FIFO and re-timing block. This mode is commonly used for mezzanine cards, modules, and any application where the reference clock cannot always be synchronous to the transmit source clock/data.



**Figure 3: Plesiochronous; data only**  
**(Tx CDR enabled, FIFO bypassed)**

**Synchronous Parallel Modes**

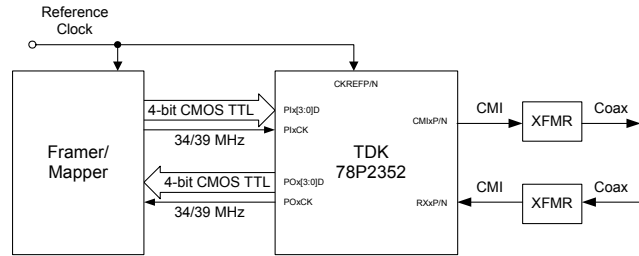
In parallel modes, 4-bit CMOS data segments are input to the chip with a 34.816MHz (E4 ÷ 4) or 38.88MHz (STM1 ÷ 4) synchronous clock. These inputs are re-timed in a 4x8 clock decoupling FIFO and then to a serializer for transmission. Because the data is passed through the FIFO and re-timed using a synthesized clock, the transmit nibble clock and data **for both channels must be source synchronous** to the provided reference clock.

For maximum compatibility with legacy ASICs, the 78P2352 can operate in both slave and master clock modes as shown in Figures 4 and 5 respectively.

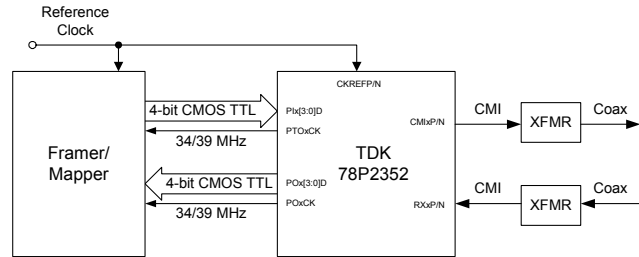
**Note:** A loop-timing mode is also available to allow external remote loopbacks (i.e. line loopback in framer). In this mode, the FIFO is still enabled, but the transmit data will be re-timed using the recovered receive clock

Parallel Mode	HW Control Pins		SW Control Bits	
	SDI_PAR	CKMODE	PAR	PMODE
Slave	High	Low	1	0
Slave + *Loop-timing	High	Float	1	0
Master	High	High	1	1

\*To enable Loop-timing in software mode set SMOD[1:0]=11



**Figure 4: Slave Parallel Mode**



**Figure 5: Master Parallel Mode**

**Transmit FIFO Description**

Since the reference clock and transmit clock/data go through different delay paths, it is inevitable that the phase relationship between the two clocks can vary in a bounded manner due to the fact that the absolute delays in the two paths can vary over time. The transmit FIFO allows long-term clock phase drift between the Tx clock and system reference clock, not exceeding +/- 25.6ns, to be handled without transmit error. If the clock wander exceeds the specified limits, the FIFO will over or under flow, and the FERRx register signal will be asserted. This signal can be used to trigger an interrupt. This interrupt event is automatically cleared when a FIFO Reset (FRSTx) pulse is applied, and the FIFO is re-centered.

**Notes:**

- 1) External remote loopbacks (i.e. loopback within framer) are not possible in synchronous operation (FIFO enabled) unless the data is re-justified to be synchronous to the system reference clock or the 78P2352 is configured for loop-timing.
- 2) Most E4 applications will not allow the use of the dual channel 78P2352 as each channel is asynchronous to each other. Teridian recommends using the single channel 78P2351 if one cannot control the E4 timing reference for each channel.
- 3) During IC power-up or transmit power-up, the clocks going to the FIFO may not be stable and cause the FIFO to overflow or underflow. As such, the FIFO should be manually reset using FRST anytime the transmitter is powered-up.

**Transmit Driver**

In CMI (electrical) mode, the CMIxP/N pins are biased and terminated off-chip. They interface to 75Ω coaxial cable through a 1:1 wideband transformer and coaxial RF connectors. Reference application notes for schematic and layout guidelines.

The transmitter encodes the data using CMI line coding and shapes an analog signal to meet the appropriate ITU-T G.703 template. The CMI outputs are tri-stated during transmit disable and transmit power-down for redundancy applications and power-savings.

**Note:** To avoid reflections causing unwanted board noise, it's recommended to power-down unused transmit ports that are not terminated with cable to an Rx input port.

When the CMI pin is low, the chip is in Fiber (NRZ pass-through) mode and interfaces directly to an optical transceiver module. The ECLxP/N pins are internally biased and output NRZ data at LVPECL levels. The CMI driver, encoder and decoder are disabled in Fiber (NRZ) mode.

**Clock Synthesizer**

The transmit clock synthesizer is a low-jitter DLL that generates a 278.528/311.04 MHz clock for the CMI encoder. It is also used in both the receive and transmit sides for clock and data recovery.

This 2x line rate clock is also available at the TXCKxP/N pins for downstream synchronization or system debug.

**Transmit Backplane Equalizer**

An optional fixed LVPECL equalizer is integrated in the transmit path for architectures that use LIUs on active interface cards. The fixed equalizer can compensate for up to 1.5m of FR4 trace and can be enabled by the TXOUT1 pin or TXEQ bit as follows:

TXOUT1 pin	TXEQ bit	Tx Equalizer
Low	1	Enabled
Float	0	Disabled

**Transmit Loss of Lock**

In transmit modes using the integrated CDR, the 78P2352 will declare a loss of lock condition when there is no valid signal detected at the S1xDP/N data inputs.

**Note:** The Tx LOL indicator is invalid and undefined when the parallel (nibble) interface is selected.

**POWER-DOWN FUNCTION**

Power-down controls are provided to allow the 78P2352 to be shut off. Transmit and receive power-down can be set independently through SW control. Total power-down is achieved by powering down both the transmitter and receiver.

**Note:** The serial interface and configuration registers are not affected by power-down.

In HW mode, both transmitters can also be globally powered down using the TXPD control pin.

**LOOPBACK MODES**

In SW mode, LLBKx and RLBKx bits in the Signal Control Register are provided to activate the local and remote loopback modes respectively.

In HW mode, the LPBKx pins can be used to activate local and remote analog loopback modes as shown in the table below.

LPBK pin	Analog Loopback Mode
Low	Normal operation
Float	<b>Remote (analog) Loopback:</b> Recovered receive clock and data looped back directly to the transmit driver. The CMI decoder and most of transmit path is bypassed.
High	<b>Local (analog) Loopback:</b> Transmit clock and data looped back to receiver at the analog media interface.

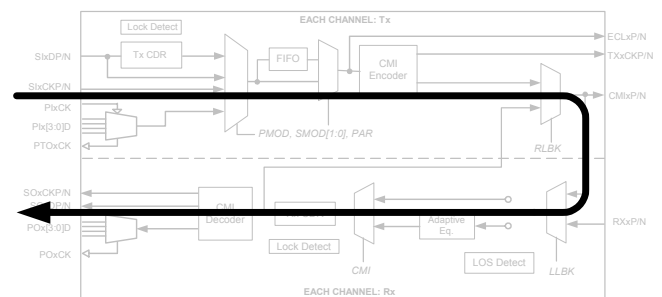


Figure 6: Local (Analog) Loopback

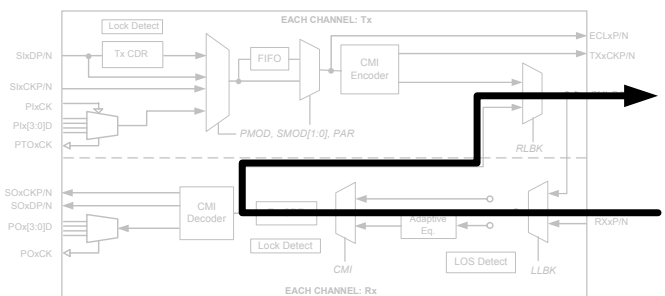
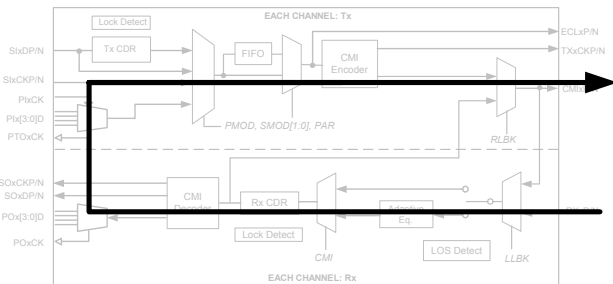


Figure 7: Remote (Analog) Loopback

In SW mode only, a Full Remote (digital) Loopback bit FLBK is also available in the Advanced Tx Control register. This loopback exercises the entire Rx and Tx paths of the 78P2352 including the Tx clock recovery unit. As such, the user must enable either Serial Plesiochronous or Serial Loop-timing transmit modes to utilize the Full Remote (digital) Loopback.



**Figure 8: Remote (Digital) Loopback**

### INTERNAL POWER-ON RESET

Power-On Reset (POR) function is provided on chip. Roughly 50µs after Vcc reaches 2.4V at power up, a reset pulse is internally generated. This resets all registers to their default values as well as all state machines within the transceiver to known initial values. The reset signal is also brought out to the PORB pin. The PORB pin is a special function analog pin that allows for the following:

- Override the internal POR signal by driving in an external active low reset signal;
- Use the internally generated POR signal to trigger other resets;
- Add external capacitor to slow down the release of power-on reset (approximately 8µs per nF added).

**NOTE:** Do not pull-up the PORB pin to Vcc or drive this pin high during power-up. This will prevent the internal reset generator from resetting the entire chip and may result in errors.

### SERIAL CONTROL INTERFACE

The serial port controlled registers allows a generic controller to interface with the 78P2352. It is used for mode settings, diagnostics and test, retrieval of status and performance information, and for on-chip fuse trimming during production test. The SPSL pin must be high in order to use the serial port.

The serial interface consists of four pins: Serial Port Enable (SEN\_CMI), Serial Clock (SCK\_MON), Serial Data In (SDI\_PAR), and Serial Data Out (SDO\_E4).

The SEN\_CMI pin initiates the read and write operations. It can also be used to select a particular device allowing SCK\_MON, SDI\_PAR and SDO\_E4 to be bussed together.

SCK\_MON is the clock input that times the data on SDI\_PAR and SDO\_E4. Data on SDI\_PAR is latched in on the rising-edge of SCK\_MON, and data on SDO\_E4 is clocked out using the falling edge of SCK\_MON.

SDI\_PAR is used to insert mode, address, and register data into the chip. Address and Data information are input least significant bit (LSB) first. The mode and address bit assignment and register table are shown in the following section.

SDO\_E4 is a tri-state capable output. It is used to output register data during a read operation. SDO\_E4 output is normally high impedance, and is enabled only during the duration when register data is being clocked out. Read data is clocked out least significant bit (LSB) first.

If SDI\_PAR coming out of the micro-controller chip is also tri-state capable, SDI\_PAR and SDO\_E4 can be connected together to simplify connections. The maximum clock frequency for register access is 20MHz.

### PROGRAMMABLE INTERRUPTS

In addition to the receiver LOS and LOL status pins, the 78P2352 provides a programmable interrupt for each transmitter.

In HW control mode, the default events that trigger the Tx interrupt is a transmit Loss of Lock (TXLOL) or FIFO error (FERR).



## REGISTER DESCRIPTION

### REGISTER ADDRESSING

Address Bits	Bit 7	Bit 6	Bit 5	Bit 4	Bit 3	Bit 2	Bit 1	Bit 0
	Port Address				Sub-Address			Read/Write
Assignment	PA[3]	PA[2]	PA[1]	PA[0]	SA[2]	SA[1]	SA[0]	R/W*

### REGISTER TABLE

#### a) PA[3:0] = 0 : Global Registers

Sub Addr	Reg. Name	Description	Bit 7	Bit 6	Bit 5	Bit 4	Bit 3	Bit 2	Bit 1	Bit 0
0	MSCR (R/W)	Master Control	E4 <0>	-- <0>	PAR <0>	CKSL[1] <X>	CKSL[0] <X>	-- <X>	-- <X>	SRST <0>
1	INTC (R/W)	Interrupt Control	INPOL <0>	-- <0>	-- <1>	-- <0>	-- <0>	-- <X>	MTLOL <1>	MFERR <1>
2	-- (R/W)	Reserved	-- <X>	-- <X>	-- <X>	-- <X>	-- <X>	-- <X>	-- <X>	-- <0>

#### b) PA[3:0] = 1, 2 : Port-Specific Registers

Sub Addr	Reg. Name	Description	Bit 7	Bit 6	Bit 5	Bit 4	Bit 3	Bit 2	Bit 1	Bit 0
0	MDCR (R/W)	Mode Control	PDTX <0>	PDRX <0>	PMODE <X>	SMOD[1] <X>	SMOD[0] <X>	MON <0>	-- <0>	-- <1>
1	SGCR (R/W)	Signal Control	TCMIINV <0>	RCMIINV <0>	LOLOR <0>	RLBK <0>	LLBK <0>	RCLKP <0>	TCLKP <0>	FRST <0>
2	ACR1 (R/W)	Advanced Tx Control 1	-- <0>	-- <0>	-- <0>	-- <0>	-- <0>	-- <0>	TPK <0>	TXEQ <0>
3	ACR0 (R/W)	Advanced Tx Control 0	-- <1>	-- <0>	-- <1>	-- <0>	-- <1>	BST[1] <0>	BST[0] <0>	FLBK <0>
4	MCR2 (R/W)	Mode Control 2	CMI <1>	-- <X>	-- <X>	-- <0>	-- <0>	-- <0>	-- <0>	-- <0>
5	STAT (R/C)	Status Monitor	-- <X>	-- <X>	-- <X>	RXLOS <X>	RXLOL <X>	-- <X>	TXLOL <X>	FERR <X>
6-7	--	Reserved	--	--	--	--	--	--	--	--

**REGISTER DESCRIPTION (CONTINUED)**
**LEGEND**

TYPE	DESCRIPTION	TYPE	DESCRIPTION
R/O	Read only	R/W	Read or Write
R/C	Read and Clear		

**GLOBAL REGISTERS**
**ADDRESS 0-0: MASTER CONTROL REGISTER**

BIT	NAME	TYPE	DFLT VALUE	DESCRIPTION
7	E4	R/W	0	<b>Line Rate Selection:</b> Selects the line rate of all channels as well as the input clock frequency at the CKREFP/N pins. 0: OC-3, STS-3, STM-1 (155.52MHz) 1: E4 (139.264MHz)
6	--	R/W	0	Unused
5	PAR	R/W	0	<b>Serial/Parallel Interface Selection:</b> Selects the interface to the framer. 0: Serial LVPECL 1: 4-bit Parallel CMOS
4:3	CKSL [1:0]	R/W	XX	<b>Reference Clock Frequency Selection:</b> Selects the reference clock frequency input at CKREFP/N pins. 11: 155.52MHz / 139.264MHz (differential LVPECL) 10: 77.76MHz / NA (single-ended CMOS) 00: 19.44MHz / 17.408MHz (single-ended CMOS) Secondary values correspond to E4 frequencies. Default values depend on the CKSL pin selection upon reset.
2:1	--	R/W	X0	Reserved.
0	SRST	R/W	0	<b>Register Soft-Reset:</b> When this bit is set, all registers are reset to their default values. This register bit is self-clearing.

**REGISTER DESCRIPTION (CONTINUED)**
**ADDRESS 0-1: INTERRUPT CONTROL REGISTER**

This register selects the events that would cause the interrupt pins to be activated. User may set as many bits as required.

BIT	NAME	TYPE	DFLT VALUE	DESCRIPTION
7	INPOL	R/W	0	<b>Interrupt Pin Polarity Selection:</b> 0 : Interrupt output is active-low (default) 1 : Interrupt output is active-high
6:2	--	R/W	01000	Reserved for future use
1	MTLOL	R/W	1	<b>TXLOL Error Mask (active low):</b> Gates the TXLOL register bit to the INTTXxB interrupt pin. 0: Mask 1: Pass
0	MFERR	R/W	1	<b>FIERR Error Mask (active low):</b> Gates the respective FIERR register bit to the INTTXxB interrupt pin. 0: Mask 1: Pass

**ADDRESS 0-2: RESERVED**

BIT	NAME	TYPE	DFLT VALUE	DESCRIPTION
7:0	--	R/W	XXXXXXXX0	Reserved.

**REGISTER DESCRIPTION (CONTINUED)**

**PORT-SPECIFIC REGISTERS**

For PA[3:0] = 1-2 = N only. Accessing a register with port address greater than 2 constitutes an invalid command, and the read/write operation will be ignored.

**ADDRESS N-0: MODE CONTROL REGISTER**

BIT	NAME	TYPE	DFLT VALUE	DESCRIPTION
7	PDTX	R/W	0	<b>Transmitter Power-Down:</b> 0 : Normal Operation 1 : Power-Down. CMI Transmit output is tri-stated.
6	PDRX	R/W	0	<b>Receiver Power-Down:</b> 0 : Normal Operation 1 : Power-Down
5	PMODE	R/W	X	<b>Parallel Mode Interface Selection:</b> <b>When PAR=0</b> , PMODE is invalid and defaults to logic '1'; <b>When PAR=1</b> , (Master Control Register: bit 5), PMODE selects the source of the transmit parallel clock, either taken from the framer externally or generated internally. Default value is determined by CKMODE pin setting upon power up or reset. 0: Slave Timing. PlxCK clock input to the transmitter 1: Master Timing. PTOxCK clock output from the transmitter
4	SMOD[1]	R/W	X	<b>Serial Mode Interface Selection:</b> <b>When PAR=0</b> (Master Control Register: bit 5), SMOD[1:0] configures the transmitter's system interface. Default values determined by CKMODE pin setting upon power up or reset. <u>SMOD[1] SMOD[0]</u> 0     0 <u>Synchronous clock and data</u> are passed through a FIFO. The CDR is bypassed. 1     0 <u>Synchronous data</u> is passed through the CDR and then through the FIFO. 0     1 <u>Plesiochronous data</u> is passed through the CDR to recover a clock. FIFO is bypassed because the data is not synchronous with the reference clock. 1     1 <u>Loop Timing Mode Enable</u> : The recovered receive clock is used as the reference for the transmit DLL and FIFO.
3	SMOD[0]	R/W	X	
2	MON	R/W	0	<b>Receive Monitor Mode Enable:</b> 0: Normal Operation 1: Adds 20dB of flat gain to the receive signal before equalization <u>NOTE</u> : Monitor mode is only available in CMI mode.
1:0	--	R/W	00	Reserved

**REGISTER DESCRIPTION (CONTINUED)**

**ADDRESS N-1: SIGNAL CONTROL REGISTER**

BIT	NAME	TYPE	DFLT VALUE	DESCRIPTION
7	TCMIINV	R/W	0	<p><b>Transmit CMI Inversion:</b> This bit will flip the polarity of the transmit CMI data outputs at CMIxP/N. For debug use only. 0: Normal 1: Invert</p>
6	RCMIINV	R/W	0	<p><b>Receive CMI Inversion:</b> This bit will flip the polarity of the receive CMI data inputs at RXxP/N. For debug use only. 0: Normal 1: Invert</p>
5	LOLOR	R/W	0	<p><b>Receive Loss of Lock/Signal Override:</b> When high, the RXLOL and RXLOS signals will always remain low. 0: Normal 1: Forces LOS and LOL outputs to be low and resets counters <b>NOTE:</b> For reliable operation of the Rx LOL detection circuitry, one must manually reset the LOL counter by toggling this bit upon power-up or initialization.</p>
4	RLBK	R/W	0	<p><b>Analog Loopback Selection:</b> <u>RLBK</u> <u>LLBK</u></p> <p>0 0 Normal operation 1 0 <u>Remote Loopback Enable:</u> Recovered receive data is looped back to the transmit driver for retransmission. 0 1 <u>Local Loopback Enable:</u> The transmit data is looped back and used as the input to the receiver.</p>
3	LLBK	R/W	0	
2	RCLKP	R/W	0	<p><b>Receive Clock Inversion Select:</b> This bit will invert the receive output clock. 0: <u>Normal.</u> Data clocked out on falling edge of receive clock. 1: <u>Invert.</u> Data clocked out on the rising edge of receive clock.</p>
1	TCLKP	R/W	0	<p><b>Transmit Clock Inversion Select:</b> This bit will invert the transmit input system clock. 0: <u>Normal.</u> Data is clocked in on rising edge of the transmit clock. 1: <u>Invert.</u> Data is clocked in on the falling edge of the transmit clock.</p>
0	FRST	R/W	0	<p><b>FIFO Reset:</b> 0: Normal operation 1: Reset FIFO pointers to default locations. This reset should be initiated anytime the transmitter or IC powers up to ensure the FIFO is centered after internal VCO clocks and external transmit clocks are stable. *Not required for Plesiochronous Serial Mode</p>

**REGISTER DESCRIPTION (CONTINUED)**

**ADDRESS N-2: ADVANCED TRANSMIT CONTROL REGISTER 1**

BIT	NAME	TYPE	DFLT VALUE	DESCRIPTION
7:1	--	R/W	0000000	Reserved.
0	TXEQ	R/W	0	<b>Transmit Fixed Equalizer Enable:</b> When enabled, compensates for between 0.75m and 1.5m of FR4 trace to the serial LVPECL data inputs SlxDP/N 0: Normal Operation 1: Enable equalizer

**ADDRESS N-3: ADVANCED TRANSMIT CONTROL REGISTER 0**

BIT	NAME	TYPE	DFLT VALUE	DESCRIPTION
7:3	--	R/W	10101	Reserved.
2:1	BST[1:0]	R/W	00	<b>Transmit Driver Amplitude Boost:</b> Adds roughly 5% or 10% of boost to the CMI output. Limits not tested during production test. 00 : Normal amplitude 01 : 5% boost 10 : Reserved 11 : 10% boost
0	FLBK	R/W	0	<b>Full Remote (digital) Loopback Enable:</b> When enabled the recovered receive data is decoded and looped back to the transmit clock recovery unit exercising the entire receive and transmit paths. <u>NOTE:</u> Must be used in conjunction with Serial Plesiochronous Mode or Serial Loop-Timing Mode.

**ADDRESS N-4: MODE CONTROL REGISTER 2**

BIT	NAME	TYPE	DFLT VALUE	DESCRIPTION
7	CMI	R/W	1	<b>Line Interface Mode Selection:</b> 0: <u>Optical</u> fiber (LVPECL, NRZ). CMI ENDEC and line driver are disabled. Use RXxP/N and ECLxP/N pins for line interface. 1: <u>Coaxial</u> cable (CMI encoded). CMI ENDEC enabled. Optical (NRZ) interface disabled. Use RXxP/N and CMIxP/N pins for line interface.
6:0	--	R/W	XX00000	Reserved.

**REGISTER DESCRIPTION** (continued)

**ADDRESS N-5: STATUS MONITOR REGISTER**

BIT	NAME	TYPE	DFLT VALUE	DESCRIPTION
7:5	--	R/C	XXX	Reserved.
4	RXLOS	R/C	X	<b>Receive Loss of Signal Indication:</b> 0: Normal operation 1: Loss of signal condition detected
3	RXL0L	R/C	X	<b>Receive Loss of Lock Indication:</b> This status bit is only defined during a valid input signal at RxP/N or when RXLOS=0 0: Normal operation 1: Recovered receive clock frequency differs from the reference by more than +/- 100ppm.
2	--	R/C	X	Unused
1	TXL0L	R/C	X	<b>Transmit Loss of Lock Indication:</b> This status bit is only defined and valid when using one of the serial transmit modes utilizing the Tx CDR. 0: Valid transmit input signal detected at S1xDP/N 1: No valid signal detected at S1xDP/N
0	FERR	R/C	X	<b>Transmit FIFO Error Indication:</b> This bit is set whenever the internal FERR signal is asserted, indicating that the FIFO is operating at its depth limit. It is reset to 0 when the FRST pin is asserted. 0: Normal operation 1: Transmit FIFO phase error

**ADDRESS N-6, N-7: RESERVED**

BIT	NAME	TYPE	DFLT VALUE	DESCRIPTION
7:0	RSVD	R/O	0	Reserved for test.

## PIN DESCRIPTION

### LEGEND

TYPE	DESCRIPTION	TYPE	DESCRIPTION
A	Analog Pin <i>(Tie unused pins to ground)</i>	PO	LVPECL-Compatible Differential Output <i>(Tie unused pins to supply or leave floating)</i>
CIT	3-State CMOS Digital Input	CO	CMOS Digital Output <i>(Leave unused pins floating)</i>
CI	CMOS Digital Input <i>(Tie unused pins to ground)</i>	COZ	CMOS Tristate Digital Output <i>(Leave unused pins floating)</i>
CIU	CMOS Digital Input w/ Pull-up	OD	Open-drain Digital Output <i>(Leave unused pins floating)</i>
CID	CMOS Digital Input w/ Pull-down	S	Supply
CIS	CMOS Schmitt Trigger Input <i>(Tie unused pins to ground)</i>	G	Ground
PI	LVPECL-Compatible Differential Input <i>(Tie unused pins to ground)</i>		

### TRANSMITTER PINS

NAME	PIN	TYPE	DESCRIPTION
Plx0D Plx1D Plx2D Plx3D	31, 66 32, 65 33, 64 34, 63	CI	<b>Transmit (Parallel Mode) Data Input:</b> Four-bit CMOS parallel (nibble) inputs. Data is latched in on the rising edge (default) of the transmit parallel clock and serialized with the MSB (Plx3D) transmitted first.
PlxCK	30, 67	CIS	<b>Transmit (Parallel Mode) Clock Input:</b> A 34.816 MHz (E4) or 38.88 MHz (STM1) CMOS clock input that must be source synchronous with the reference clock supplied at the CKREFP/N pins. Used only in Slave Parallel Mode and Loop-timing Parallel Mode.
PTOxCK	35, 62	CO	<b>Transmit (Parallel Mode) Clock Output:</b> A 34.816 MHz (E4) or 38.88 MHz (STM1) CMOS clock output that is intended to latch in synchronous parallel data. Active during reset. Used only in Master Parallel Mode (output disabled in all other transmit modes).
SixDP SixDN	10, 87 11, 86	PI	<b>Transmit (Serial Mode) Data Input:</b> Differential NRZ data input. See <i>Transmitter Operation</i> section for more info on different clocking/timing modes.
SixCKP SixCKN	7, 90 8, 89	PI	<b>Transmit (Serial Mode) Clock Input:</b> A 155.52MHz synchronous differential input clock used to clock in the serial NRZ data. By default, data is clocked in on the rising edge of SixCKP.
CMIxP CMIxN	121, 104 122, 103	A	<b>Transmit (Serial Mode) CMI Data Output:</b> A CMI encoded data signal conforming to the relevant ITU-T G.703 pulse templates when properly terminated and transformer coupled to 75Ω cable. Outputs are tri-stated when transmitter is disabled. Active, but undefined during reset.
TXxCKP TXxCKN	124, 101 125, 100	PO	<b>Transmit (Serial Mode) Clock Output:</b> A 2x line rate LVPECL clock output used to clock out the transmit CMI data. Used for diagnostics or far end re-timing. Active during reset.
ECLxP ECLxN	127, 98 128, 97	PO	<b>Transmit (Serial Mode) LVPECL Data Output:</b> Transmit NRZ data outputs used for interfacing with optical transceiver modules when in Fiber (NRZ) mode.



**PIN DESCRIPTION (CONTINUED)**
**RECEIVER PINS**

NAME	PIN	TYPE	DESCRIPTION
POx0D POx1D POx2D POx3D	46, 51 45, 52 42, 55 41, 56	CO	<b>Receive (Parallel Mode) Data Output:</b> Recovered receive data deserialized into four-bit CMOS parallel (nibble) outputs. The MSB (POx3D) is received first. Active, but undefined during reset. <u>Note:</u> During Loss of Signal conditions, data outputs are held low.
POxCK	38, 59	CO	<b>Receive (Parallel Mode) Clock Output:</b> A 34.816 MHz (E4) or 38.88 MHz (STM1) CMOS clock output generated by dividing down the recovered receive clock. By default, receive data is clocked out on the falling edge. Active during reset. <u>Note:</u> During Loss of Signal conditions, the clock will remain on the last divided down phase selection of the Rx DLL and output a steady clock.
SOxDP SOxDN	28, 69 29, 68	PO	<b>Receive (Serial Mode) Data Output:</b> Recovered receive serial NRZ data at LVPECL levels. Active, but undefined during reset. <u>Note:</u> During Loss of Signal conditions, data outputs are held at logic 0.
SOxCKP SOxCKN	25, 72 26, 71	PO	<b>Receive (Serial Mode) Clock Output:</b> Recovered receive serial clock. By default, recovered serial NRZ data is clocked out the falling edge of SOxCKP. Active during reset. <u>Note:</u> During Loss of Signal conditions, the clock will remain on the last phase selection of the Rx DLL and output a steady clock.
RXxP RXxN	118, 107 119, 106	A/ PI	<b>Receiver CMI or LVPECL Input:</b> The input is either transformer-coupled to coaxial cable for CMI data or AC-coupled at LVPECL levels to an optical transceiver module for NRZ data.

**PIN DESCRIPTION (CONTINUED)**
**REFERENCE AND STATUS PINS**

Note: The LOSx, LOLx, and INTxXxB pins are configurable at final test (default open-drain outputs). If CMOS level outputs are required, please refer to alternate 70Pxxx ordering numbers at the end of the data sheet.

NAME	PIN	TYPE	DESCRIPTION
CKREFP CKREFN	111 110	PI/ CI	<b>Reference Clock Input:</b> A required reference clock input used for clock/data recovery and frequency synthesizer. Options include : <ul style="list-style-type: none"> <li>• 139.264 MHz (E4) or 155.52 MHz (STM1) differential LVPECL clock input at CKREFP/N</li> <li>• 17.408 MHz (E4), 19.44 MHz (STM1), or 77.78 MHz (STM1) single-ended CMOS clock input at CKREFP. Tie CKREFN to ground when unused.</li> </ul>
LOS1 LOS2	80 19	OD/ CO	<b>Receive Loss of Signal (active-high):</b> See Receiver Loss of Signal description for conditions.
LOL1 LOL2	79 20	OD/ CO	<b>Receive Loss of Lock (active-high):</b> This condition is met when the recovered clock frequency differs from the reference clock frequency by more than +/- 100ppm.
INTTX1B INTTX2B	88 9	OD/ CO	<b>Transmitter Fault Interrupt Flag (active low):</b> When a transmitter error event occurs (as defined in the Interrupt Control Register Description), the INTTXxB pin will change state to indicate an interrupt. The interrupt is cleared by a read to the STAT Register, an issue of a FRSTx FIFO reset pulse (if the FIERRx signal caused the interrupt), or when the TXLOL register bit transitions from high to low. <u>Note:</u> The default interrupt condition is a loss of lock in the transmitter CDR.
INTRX1B INTRX2B	70 27	OD/ CO	<b>Receiver Fault Interrupt Flag (active low):</b> Reserved for future use.
PORB	83	A	<b>Power-On Reset (active low):</b> See Power-On Reset description on use of this pin.

**PIN DESCRIPTION (CONTINUED)**
**CONTROL PINS**

NAME	PIN	TYPE	DESCRIPTION
FRST	78	CIT	<p><b>FIFO Phase-Initialization Control:</b></p> <p>When asserted, the transmit FIFO pointers are reset to the respective “centered” states. Also resets the FIERR interrupt bit. De-assertion edge of FRSTx will resume FIFO operation.</p> <ul style="list-style-type: none"> <li>• <u>Low</u>: Channel 1 FRST assertion</li> <li>• <u>Float</u>: Normal operation</li> <li>• <u>High</u>: Channel 2 FRST assertion</li> </ul> <p>Because the internal VCO clock and off-chip transmit clocks may not be stable during transmit power-up, it is recommended to always reset the FIFOs after powering up the IC or the transmitter.</p> <p>Not valid during Plesiochronous Serial Mode.</p>
LPBKx	17, 18	CIT	<p><b>Analog Loopback Selection:</b></p> <ul style="list-style-type: none"> <li>• <u>Low</u>: Normal operation</li> <li>• <u>Float</u>: Remote Loopback Enable: Recovered receive data and clock are looped back to the transmitter for retransmission.</li> <li>• <u>High</u>: Local Loopback Enable: The serial transmit data is looped back and used as the input to the receiver.</li> </ul>
CKMODE	15	CIT	<p><b>Clock Mode Selection:</b></p> <p>Selects the method of inputting transmit data into the chip. See TRANSMITTER OPERATION section for more information.</p> <p>In PARALLEL mode (SDI_PAR high):</p> <ul style="list-style-type: none"> <li>• <u>Low</u>: Parallel transmit clock is input to the 78P2352.</li> <li>• <u>Float</u>: Parallel transmit clock is input to the 78P2352. Loop-timing mode enabled.</li> <li>• <u>High</u>: Parallel transmit clock is output from the 78P2352</li> </ul> <p>In SERIAL mode (SDI_PAR low):</p> <ul style="list-style-type: none"> <li>• <u>Low</u>: Reference clock is synchronous to transmit clock and data. Data is clocked in with SlxCKP/N and passed through a FIFO</li> <li>• <u>Float</u>: Reference clock is synchronous to transmit data. Clock is recovered with a CDR and data is passed through a FIFO</li> <li>• <u>High</u>: Reference clock is plesiochronous to transmit data. Clock is recovered with a CDR and the FIFO is bypassed</li> </ul>

**PIN DESCRIPTION (CONTINUED)**
**CONTROL PINS (continued)**

NAME	PIN	TYPE	DESCRIPTION
TXOUT1	1	CIT	<b>Advanced Tx Control 1:</b> <u>Low:</u> Enables fixed LVPECL equalizer at the transmit inputs SIDP/N for FR4 trace lengths up to 1.5m. <u>Float:</u> Normal operation <u>High:</u> Normal operation
TXOUT0	2	CIT	<b>Advanced Tx Control 0:</b> <u>Low:</u> Nominal amplitude <u>Float:</u> 5% amplitude boost <u>High:</u> 10% amplitude boost
TXPD	14	CID	<b>Transmitter Power Down:</b> When high, powers down and tr-states the transmitt driver on both channels.
SPSL	77	CID	<b>Serial Port Selection:</b> When high, chip is software controlled through the serial port.
CKSL	81	CIT	<b>Reference Clock Frequency Selection:</b> Selects the reference frequency that is supplied at the CKREFP/N pins. Its level is read in only at power-up or on the rising edge of a reset signal at the PORB pin. <ul style="list-style-type: none"> <li>• <u>Low:</u> 19.44MHz or 17.408MHz</li> <li>• <u>Float:</u> 77.76MHz</li> <li>• <u>High:</u> 155.52MHz or 139.264MHz</li> </ul>

**PIN DESCRIPTION (CONTINUED)**

**SERIAL-PORT PINS**

NAME	PIN	TYPE	DESCRIPTION
SEN_CMI	95	CIU	<p>[SPSL=1] <b>Serial-Port Enable:</b>            High during read and write operations. Low disables the serial port. While SEN is low, SDO remains in high impedance state, and SDI and SCK activities are ignored.</p> <p>[SPSL=0] <b>Medium Select:</b>  <u>Low:</u> Fiber (NRZ pass-through) mode  <u>High:</u> CMI mode</p>
SCK_MON	96	CIS	<p>[SPSL=1] <b>Serial Clock:</b>            Controls the timing of SDI and SDO.</p> <p>[SPSL=0] <b>Receive Monitor Mode Enable:</b>            When high, adds 20dB of flat gain to the incoming signal of both channels before equalization.</p> <p><u>NOTE:</u> Channel specific monitor modes can be enabled through the serial port. Rx Monitor Mode is only available in CMI mode</p>
SDI_PAR	94	CI	<p>[SPSL=1] <b>Serial Data Input:</b>            Inputs mode and address information. Also inputs register data during a Write operation. Both address and data are input least significant bit first.</p> <p>[SPSL=0] <b>Data Width Select:</b>            Selects 4 bit parallel transmit modes (input high) or serial transmit modes (input low)</p>
SDO_E4	93	COZ/ CI	<p>[SPSL=1] <b>Serial Data Output:</b>            Outputs register information during a Read operation. Data is output least significant bit first</p> <p>[SPSL=0] <b>Rate Select:</b>            Selects E4 operation (input high) or STM1/STS3 operation (input low)</p>

**POWER AND GROUND PINS**

It is recommended that all supply pins be connected to a single power supply plane and all ground pins be connected to a single ground plane. See application note for decoupling guidelines.

NAME	PIN	TYPE	DESCRIPTION
VCC	5, 12, 21, 74, 85, 92, 99, 105, 109, 116, 120, 126	S	<b>Power Supply</b>
VDD	23, 37, 40, 44, 48, 49, 53, 57, 60	S	<b>CMOS I/O Driver Supply</b>
GND	6, 13, 16, 22, 73, 84, 91, 102, 108, 112, 113, 114, 115, 117, 123	G	<b>Ground</b>
VSS	24, 36, 39, 43, 47, 50, 54, 58, 61	G	<b>CMOS I/O Driver Ground</b>
TGND	82	G	<b>Trim Ground</b> Used during production test. Connect directly to ground. Do not decouple to supply or PORB.

## ELECTRICAL SPECIFICATIONS

### ABSOLUTE MAXIMUM RATINGS

Operation beyond these limits may permanently damage the device.

PARAMETER	RATING
Supply Voltage (Vdd)	-0.5 to 4.0 VDC
Storage Temperature	-65 to 150 °C
Junction Temperature	-40 to 150 °C
Pin Voltage (CMIxP, CMIxN)	Vdd + 1.5 VDC
Pin Voltage (all other pins)	-0.3 to (Vdd+0.6) VDC
Pin Current	±100 mA

### RECOMMENDED OPERATING CONDITIONS

Unless otherwise noted all specifications are valid over these temperatures and supply voltage ranges.

PARAMETER	RATING
DC Voltage Supply (Vdd)	3.15 to 3.45 VDC
Ambient Operating Temperature	-40 to 85 °C
Junction Temperature	-40 to 125 °C

### DC CHARACTERISTICS:

PARAMETER	SYMBOL	CONDITIONS	MIN	NOM	MAX	UNIT
Total Supply Current (CMI) (including transmitter current through transformer)	I <sub>dd</sub>	STM-1 mode; CMI mode; Max. cable length		325	350	mA
Total Supply Current (NRZ)	I <sub>dde</sub>	STM-1 mode; Fiber (NRZ) mode		290	310	mA
Receive-only Supply Current	I <sub>ddr</sub>	Transmitter disabled; STM-1 mode; CMI mode; Max. cable length		190	205	mA
Supply Current per Port (CMI) (including transmitter current through transformer)	I <sub>ddx</sub>	STM-1 mode; CMI mode; Max. cable length		160	180	mA
Power down Current	I <sub>ddq</sub>	PDTX = 1, PDRX = 1		7	10	mA

**ELECTRICAL SPECIFICATIONS** (continued)

**ANALOG PINS CHARACTERISTICS:**

The following table is provided for informative purpose only. Not tested in production.

PARAMETER	SYMBOL	CONDITIONS	MIN	NOM	MAX	UNIT
RXxP and RXxN Common-Mode Bias Voltage	Vblin	Ground Reference	1.9	2.1	2.6	V
RXxP and RXxN Differential Input Impedance	Rilin			20		kΩ
Analog Input/Output Capacitance	Cin			8		pF
PORB Input Impedance	--			5		kΩ

**DIGITAL I/O CHARACTERISTICS:**

Pins of type CI, CIU, CID:

PARAMETER	SYMBOL	CONDITIONS	MIN	NOM	MAX	UNIT
Input Voltage Low	Vil	Type CI, CID only			0.8	V
		Type CIU only			0.4	
Input Voltage High	Vih		2.0			V
Input Current	Iil, Iih		-1	0	1	μA
Pull-up Resistance	Rpu	Type CIU only	53	70	113	kΩ
Pull-down Resistance	Rpd	Type CID only	40	58	120	kΩ
Input Capacitance	Cin			8		pF

Pins of type CIT:

PARAMETER	SYMBOL	CONDITIONS	MIN	NOM	MAX	UNIT
Input Voltage Low	Vtil				0.4	V
Input Voltage High	Vtih		Vcc-0.6			V
Minimum impedance to be considered as "float" state	Rtiz		30			kΩ

Pins of type CIS:

PARAMETER	SYMBOL	CONDITIONS	MIN	NOM	MAX	UNIT
Low-to-High Threshold	Vt+		1.3		1.7	V
High-to-Low Threshold	Vt-		0.8		1.2	V
Input Current	Iil, Iih		-1		1	μA
Input Capacitance	Cin			8		pF

**ELECTRICAL SPECIFICATIONS** (continued)

Pins of type CO and COZ:

PARAMETER	SYMBOL	CONDITIONS	MIN	NOM	MAX	UNIT
Output Voltage Low	V <sub>ol</sub>	I <sub>ol</sub> = 8mA			0.4	V
Output Voltage High	V <sub>oh</sub>	I <sub>oh</sub> = -8mA	2.4			V
Output Transition Time	T <sub>t</sub>	C <sub>L</sub> = 20pF, 10-90%			2	ns
Effective Source Impedance	R <sub>scr</sub>			30		Ω
Tri-state Output Leakage Current	I <sub>z</sub>	Type COZ only	-1		1	μA

Pins of type PO:

PARAMETER	SYMBOL	CONDITIONS	MIN	NOM	MAX	UNIT
Signal Swing	V <sub>pk</sub>		0.5	0.8	1.1	V
		TXxCKP/N pins	0.35		0.95	
Common Mode Level	V <sub>cm</sub>	V <sub>dd</sub> referenced	-1.55	-1.2	-1.1	V
Effective Source Impedance	R <sub>eff</sub>			20		Ω
Rise Time	T <sub>r</sub>	10-90%		0.8	1.2	ns
Fall Time	T <sub>f</sub>	10-90%		0.8	1.2	ns

Pins of type PI:

PARAMETER	SYMBOL	CONDITIONS	MIN	NOM	MAX	UNIT
Signal Swing	V <sub>pki</sub>		0.3			V
Common Mode Level	V <sub>cm</sub>	V <sub>dd</sub> referenced	-1.6	-1.2	-0.8	V

Pins of type OD:

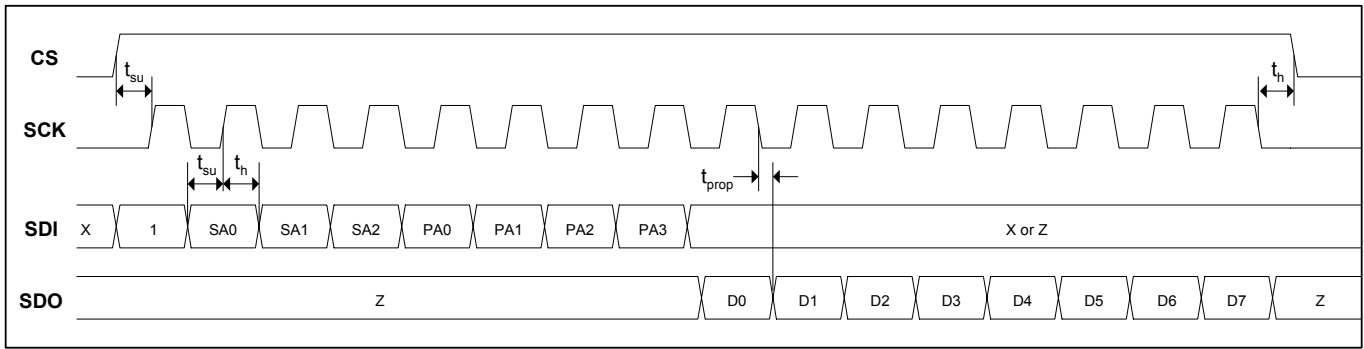
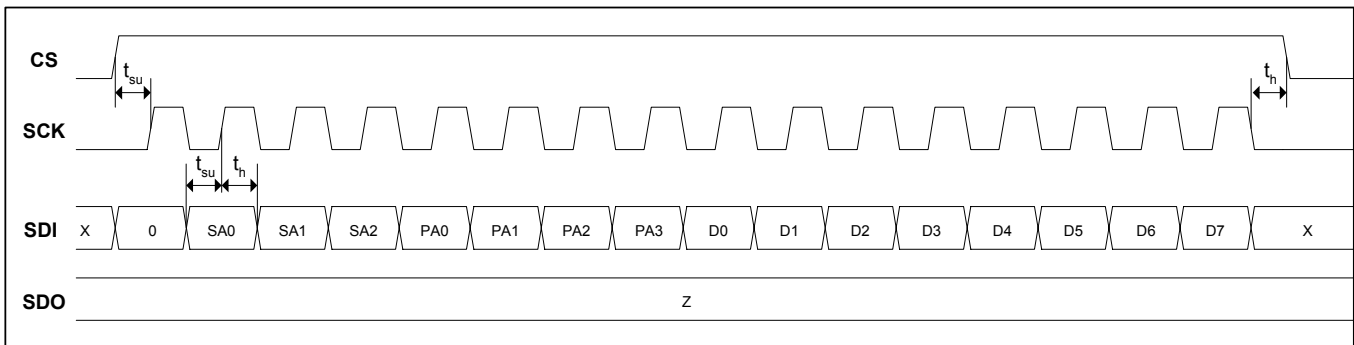
PARAMETER	SYMBOL	CONDITIONS	MIN	NOM	MAX	UNIT
Output Voltage Low	V <sub>ol</sub>	I <sub>ol</sub> = 8mA			0.4	V
Pull-down Leakage Current	I <sub>pd</sub>	Logic high output			1	μA
Pull-up Resistor	R <sub>pu</sub>		4.7		10	kΩ



**ELECTRICAL SPECIFICATIONS** (continued)

**SERIAL-PORT TIMING CHARACTERISTICS:**

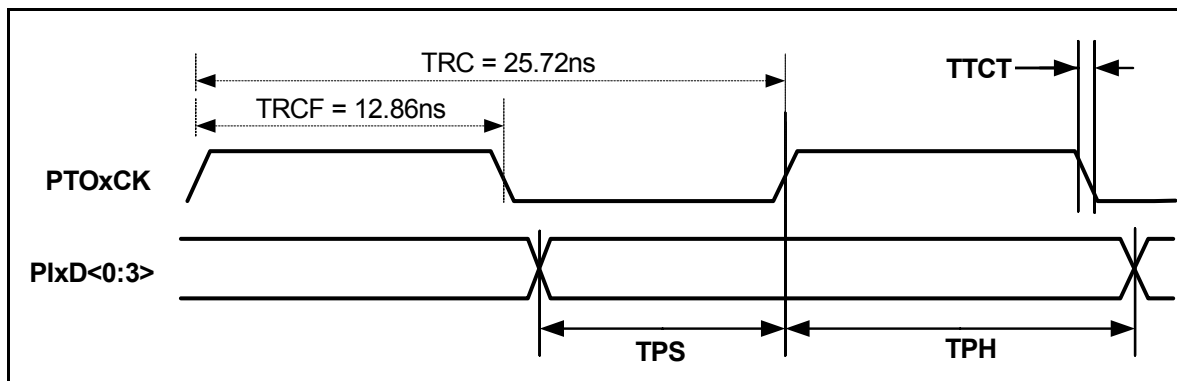
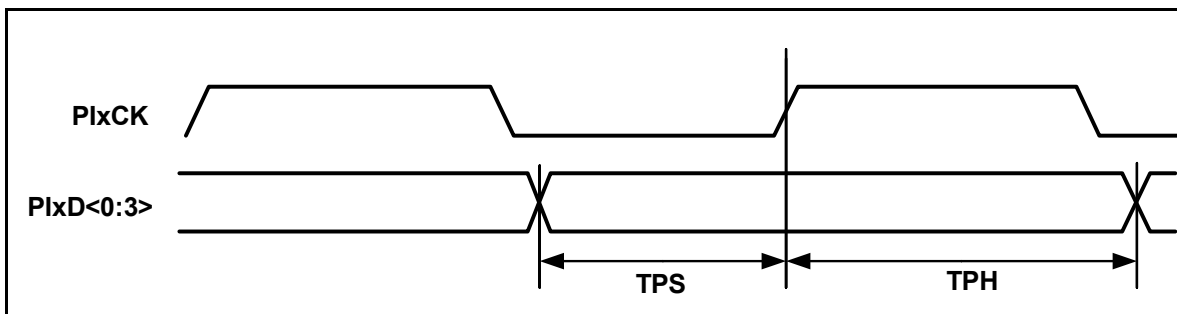
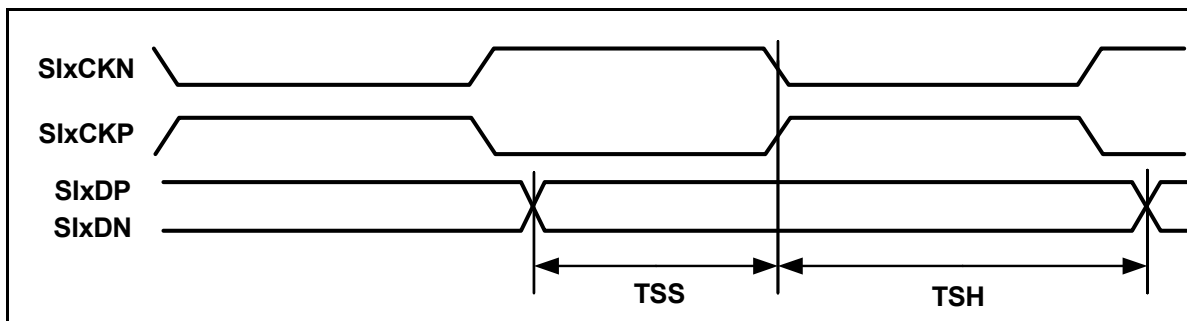
PARAMETER	SYMBOL	CONDITION	MIN	TYP	MAX	UNIT
SDI to SCK setup time	$t_{su}$		4			ns
SDI to SCK hold time	$t_h$		4			ns
SCK to SDO propagation delay	$t_{prop}$				10	ns
SCK Frequency	SCK				20	MHz


**Figure 9: Read Operation**

**Figure 10: Write Operation**

**ELECTRICAL SPECIFICATIONS** (continued)

**TRANSMITTER TIMING CHARACTERISTICS:**

PARAMETER	SYMBOL	CONDITIONS	MIN	NOM	MAX	UNIT
Clock Duty Cycle	TTCF/TTC	PTOxCK	40		60	%
Setup Time	TPS	Parallel mode	4			ns
Hold Time	TPH	Parallel mode	4			ns
Setup Time	TSS	Serial mode	2			ns
Hold Time	TSH	Serial mode	2			ns

**TIMING DIAGRAM: Transmitter Waveforms**


**ELECTRICAL SPECIFICATIONS** (continued)

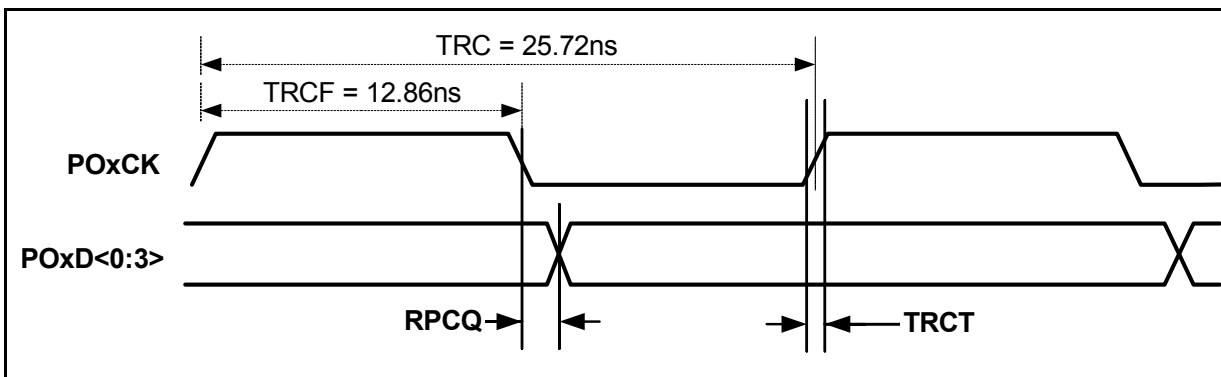
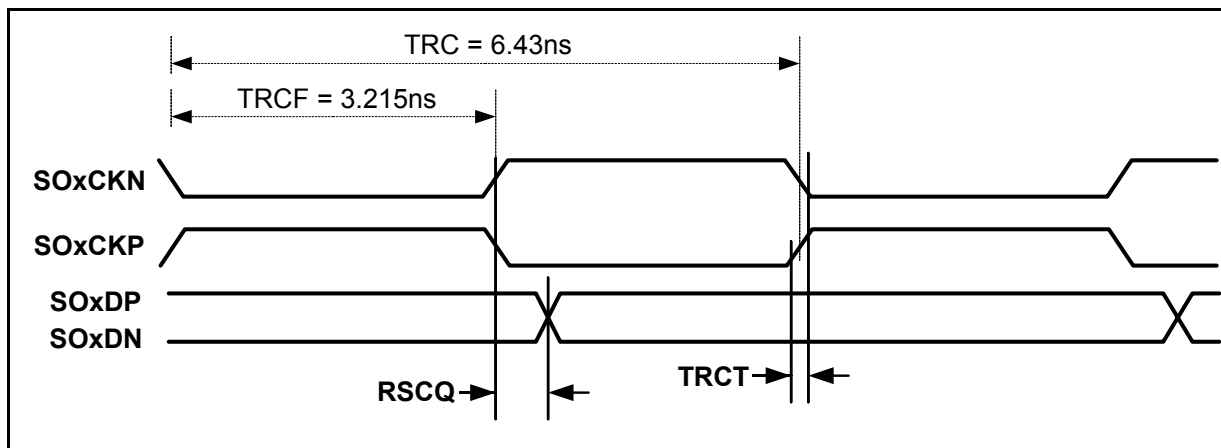
**REFERENCE CLOCK CHARACTERISTICS:**

PARAMETER	SYMBOL	CONDITIONS	MIN	NOM	MAX	UNIT
CKREF Duty Cycle	--		40		60	%
CKREF Frequency Stability	--	Synchronous mode; E4	-15		+15	ppm
		Synchronous mode; STM1	-20		+20	
		Plesiochronous or Loop-timing mode. (see Note 1)	-75		+75	

**Note 1:** In Plesiochronous mode, the transmit clock/data source (i.e. framer/system reference clock) must still be of +/-20ppm quality (+/-15ppm for E4) in order to meet the ITU-T (or Telcordia) bit rate requirements.

**RECEIVER TIMING CHARACTERISTICS:**

PARAMETER	SYMBOL	CONDITIONS	MIN	NOM	MAX	UNIT
RCLK Duty Cycle	TRCF/TRC		40		60	%
Clock to Q	RSCQ	Serial mode	0		1	ns
	RPCQ	Parallel mode	-1		2	

**TIMING DIAGRAM: Receive Waveforms**


**ELECTRICAL SPECIFICATIONS** (continued)

**TRANSMITTER SPECIFICATIONS FOR CMI INTERFACE**

Bit Rate: 139.264Mbps  $\pm$  15ppm or 155.52Mbps  $\pm$  20ppm

Code: Coded Mark Inversion (CMI)

Relevant Specification: ITU-T G.703, Telcordia GR-253, ANSI T1.102

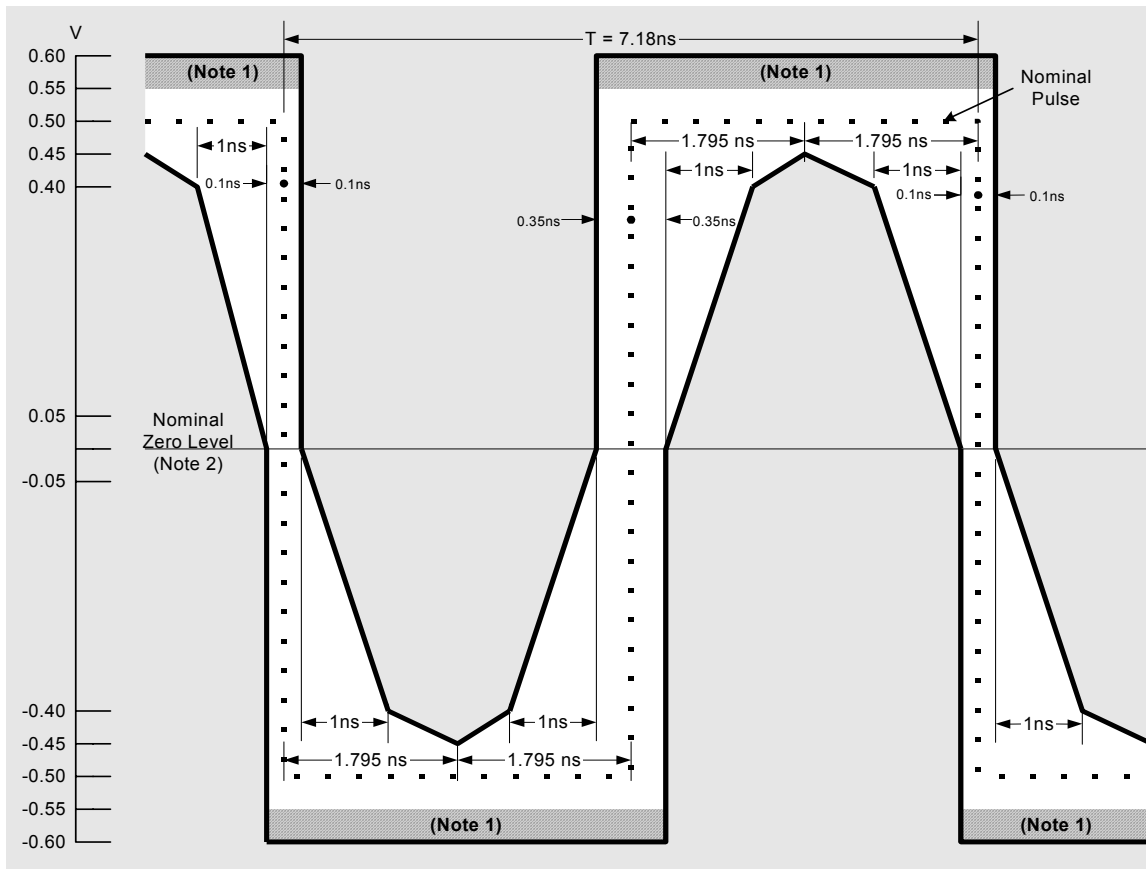
With the coaxial output port driving a 75 $\Omega$  load, the output pulses conform to the templates in Figures 11, 12, 13, and 14. These specifications are tested during production test. Consult application note for reference schematic, layout guidelines, and recommended transformers.

PARAMETER	CONDITION	MIN	NOM	MAX	UNIT
Peak-to-peak Output Voltage (Fuse-trimmed to nominal target at final test)	Template, steady state	0.9	1.05	1.1	V
Rise/ Fall Time	10-90%			2	ns
Transition Timing Tolerance	Negative Transitions	-0.1		0.1	ns
	Positive Transitions at Interval Boundaries	-0.5		0.5	
	Positive Transitions at mid-interval	-0.35		0.35	
Transmit clock frequency stability (PlxCK or SlxCKP/N)	With respect to CKREF	0		0	ppm

The following specifications are not tested during production test. They are included for information only.

PARAMETER	CONDITION	MIN	NOM	MAX	UNIT
Output Impedance	Driver is open drain		1 8		M $\Omega$ pF
Return Loss	7MHz to 240MHz	15			dB

**ELECTRICAL SPECIFICATIONS (continued)**



Note 1 – The maximum “steady state” amplitude should not exceed the 0.55V limit. Overshoots and other transients are permitted to fall into the shaded area bounded by the amplitude levels 0.55V and 0.6V, provided that they do not exceed the steady state level by more than 0.05V.

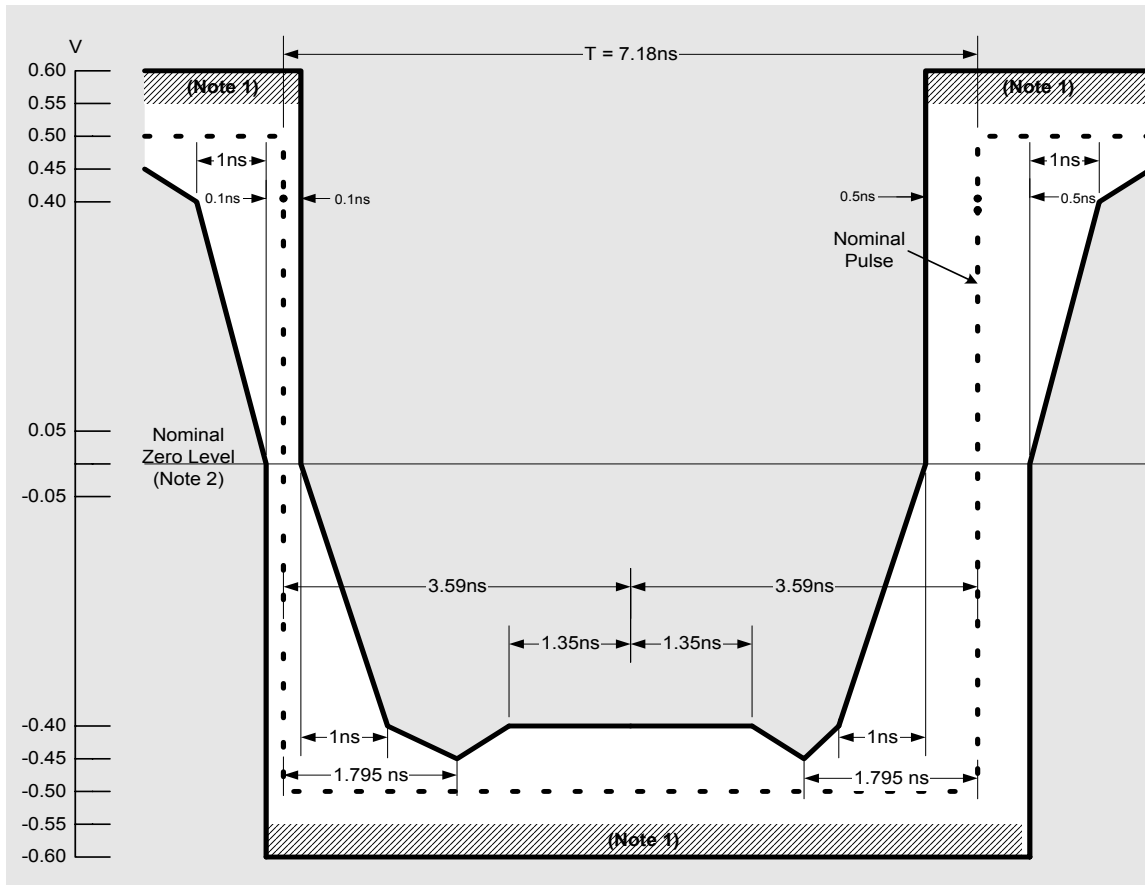
Note 2 – For all measurements using these masks, the signal should be AC coupled, using a capacitor of not less than 0.01  $\mu$ F, to the input of the oscilloscope used for measurements. The nominal zero level for both masks should be aligned with the oscilloscope trace with no input signal. With the signal then applied, the vertical position of the trace can be adjusted with the objective of meeting the limits of the masks. Any such adjustment should be the same for both masks and should not exceed  $\pm 0.05$ V. This may be checked by removing the input signal again and verifying that the trace lies with  $\pm 0.05$ V of the nominal zero level of the masks.

Note 3 – Each pulse in a coded pulse sequence should meet the limits of the relevant mask, irrespective of the state of the preceding or succeeding pulses, with both pulse masks fixed in the same relation to a common timing reference, i.e. with their nominal start and finish edges coincident. The masks allow for HF jitter caused by intersymbol interference in the output stage, but not for jitter present in the timing signal associated with the source of the interface signal. When using an oscilloscope technique to determine pulse compliance with the mask, it is important that successive traces of the pulses overlay in order to suppress the effects of low frequency jitter. This can be accomplished by several techniques [e.g. a) triggering the oscilloscope on the measured waveform or b) providing both the oscilloscope and the pulse output circuits with the same clock signal].

Note 4 – For the purpose of these masks, the rise time and decay time should be measured between  $-0.4$ V and  $0.4$ V, and should not exceed 2ns.

**Figure 11 – Mask of a Pulse corresponding to a binary Zero in E4 mode**

**ELECTRICAL SPECIFICATIONS** (continued)



Note 1 – The maximum “steady state” amplitude should not exceed the 0.55V limit. Overshoots and other transients are permitted to fall into the shaded area bounded by the amplitude levels 0.55V and 0.6V, provided that they do not exceed the steady state level by more than 0.05V.

Note 2 – For all measurements using these masks, the signal should be AC coupled, using a capacitor of not less than 0.01  $\mu$ F, to the input of the oscilloscope used for measurements. The nominal zero level for both masks should be aligned with the oscilloscope trace with no input signal. With the signal then applied, the vertical position of the trace can be adjusted with the objective of meeting the limits of the masks. Any such adjustment should be the same for both masks and should not exceed  $\pm 0.05$ V. This may be checked by removing the input signal again and verifying that the trace lies with  $\pm 0.05$ V of the nominal zero level of the masks.

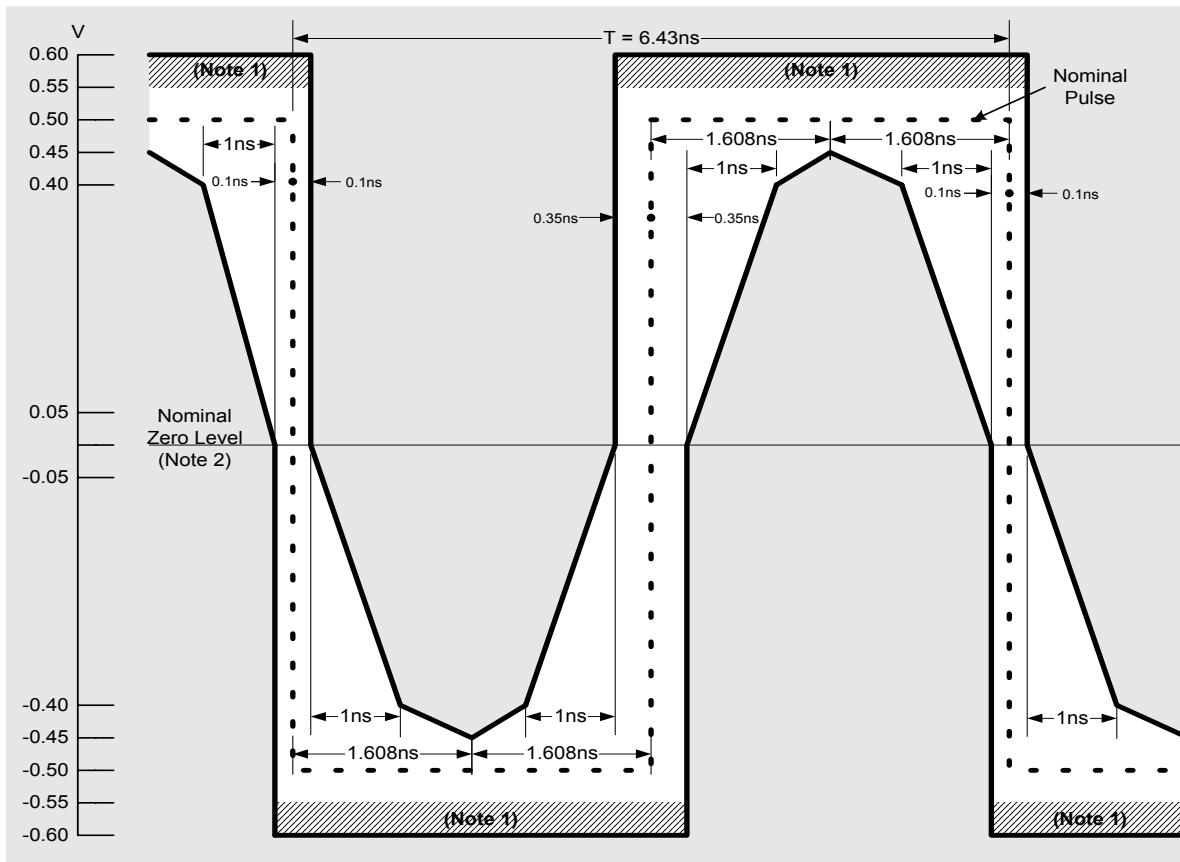
Note 3 – Each pulse in a coded pulse sequence should meet the limits of the relevant mask, irrespective of the state of the preceding or succeeding pulses, with both pulse masks fixed in the same relation to a common timing reference, i.e. with their nominal start and finish edges coincident. The masks allow for HF jitter caused by intersymbol interference in the output stage, but not for jitter present in the timing signal associated with the source of the interface signal. When using an oscilloscope technique to determine pulse compliance with the mask, it is important that successive traces of the pulses overlay in order to suppress the effects of low frequency jitter. This can be accomplished by several techniques [e.g. a) triggering the oscilloscope on the measured waveform or b) providing both the oscilloscope and the pulse output circuits with the same clock signal].

Note 4 – For the purpose of these masks, the rise time and decay time should be measured between  $-0.4$ V and  $0.4$ V, and should not exceed 2ns.

Note 5 – The inverse pulse will have the same characteristics, noting that the timing tolerance at the level of the negative and positive transitions are  $\pm 0.1$ ns and  $\pm 0.5$ ns respectively.

**Figure 12 – Mask of a Pulse corresponding to a binary One in E4 mode.**

**ELECTRICAL SPECIFICATIONS** (continued)



Note 1 – The maximum “steady state” amplitude should not exceed the 0.55V limit. Overshoots and other transients are permitted to fall into the shaded area bounded by the amplitude levels 0.55V and 0.6V, provided that they do not exceed the steady state level by more than 0.05V.

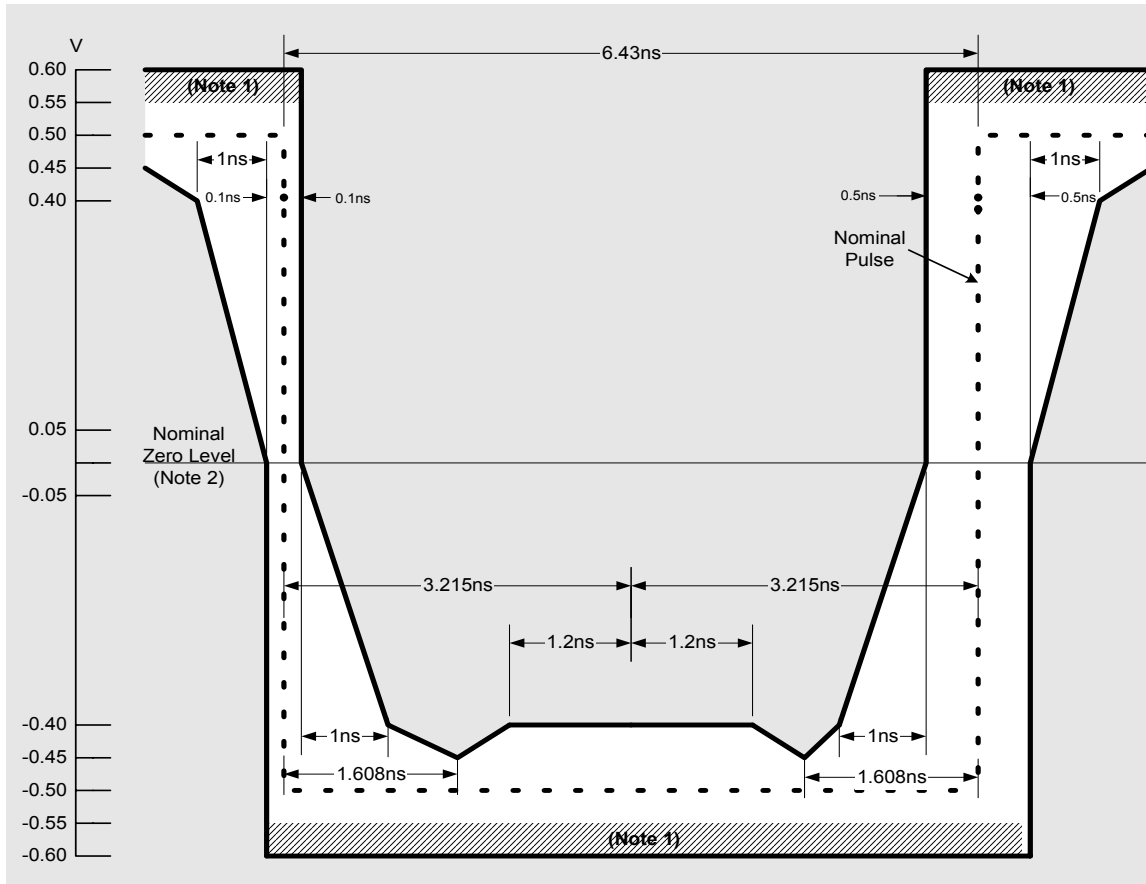
Note 2 – For all measurements using these masks, the signal should be AC coupled, using a capacitor of not less than 0.01  $\mu$ F, to the input of the oscilloscope used for measurements. The nominal zero level for both masks should be aligned with the oscilloscope trace with no input signal. With the signal then applied, the vertical position of the trace can be adjusted with the objective of meeting the limits of the masks. Any such adjustment should be the same for both masks and should not exceed  $\pm 0.05$ V. This may be checked by removing the input signal again and verifying that the trace lies with  $\pm 0.05$ V of the nominal zero level of the masks.

Note 3 – Each pulse in a coded pulse sequence should meet the limits of the relevant mask, irrespective of the state of the preceding or succeeding pulses, with both pulse masks fixed in the same relation to a common timing reference, i.e. with their nominal start and finish edges coincident. The masks allow for HF jitter caused by intersymbol interference in the output stage, but not for jitter present in the timing signal associated with the source of the interface signal. When using an oscilloscope technique to determine pulse compliance with the mask, it is important that successive traces of the pulses overlay in order to suppress the effects of low frequency jitter. This can be accomplished by several techniques [e.g. a) triggering the oscilloscope on the measured waveform or b) providing both the oscilloscope and the pulse output circuits with the same clock signal].

Note 4 – For the purpose of these masks, the rise time and decay time should be measured between  $-0.4$ V and  $0.4$ V, and should not exceed 2ns.

**Figure 13 – Mask of a Pulse corresponding to a binary Zero in STS-3/STM-1 mode.**

**ELECTRICAL SPECIFICATIONS** (continued)



Note 1 – The maximum “steady state” amplitude should not exceed the 0.55V limit. Overshoots and other transients are permitted to fall into the shaded area bounded by the amplitude levels 0.55V and 0.6V, provided that they do not exceed the steady state level by more than 0.05V.

Note 2 – For all measurements using these masks, the signal should be AC coupled, using a capacitor of not less than 0.01  $\mu$ F, to the input of the oscilloscope used for measurements. The nominal zero level for both masks should be aligned with the oscilloscope trace with no input signal. With the signal then applied, the vertical position of the trace can be adjusted with the objective of meeting the limits of the masks. Any such adjustment should be the same for both masks and should not exceed  $\pm 0.05$ V. This may be checked by removing the input signal again and verifying that the trace lies with  $\pm 0.05$ V of the nominal zero level of the masks.

Note 3 – Each pulse in a coded pulse sequence should meet the limits of the relevant mask, irrespective of the state of the preceding or succeeding pulses, with both pulse masks fixed in the same relation to a common timing reference, i.e. with their nominal start and finish edges coincident. The masks allow for HF jitter caused by intersymbol interference in the output stage, but not for jitter present in the timing signal associated with the source of the interface signal. When using an oscilloscope technique to determine pulse compliance with the mask, it is important that successive traces of the pulses overlay in order to suppress the effects of low frequency jitter. This can be accomplished by several techniques [e.g. a) triggering the oscilloscope on the measured waveform or b) providing both the oscilloscope and the pulse output circuits with the same clock signal].

Note 4 – For the purpose of these masks, the rise time and decay time should be measured between  $-0.4$ V and  $0.4$ V, and should not exceed 2ns.

Note 5 – The inverse pulse will have the same characteristics, noting that the timing tolerance at the level of the negative and positive transitions are  $\pm 0.1$ ns and  $\pm 0.5$ ns respectively.

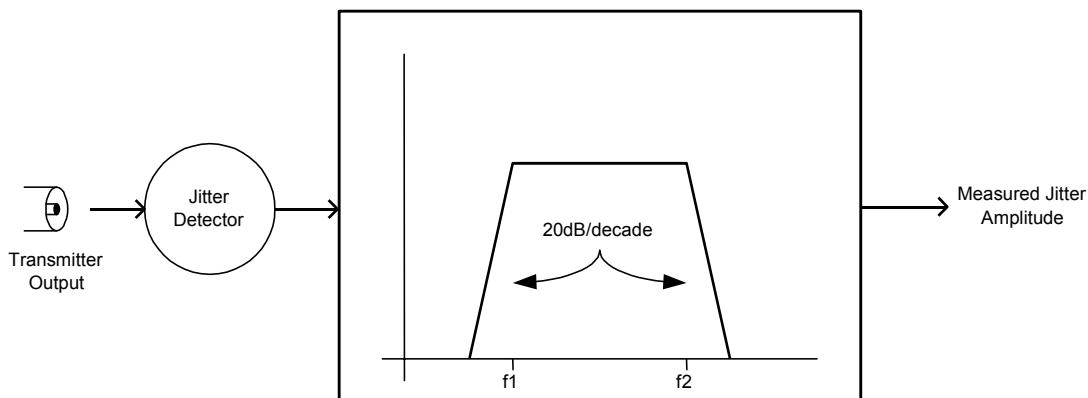
**Figure 14 – Mask of a Pulse corresponding to a binary One in STS-3/STM-1 mode**



**ELECTRICAL SPECIFICATIONS** (continued)

**TRANSMITTER OUTPUT JITTER**

The transmit jitter specification ensures compliance with ITU-T G.813, G.823, G.825 and G.958; ANSI T1.102-1993 and T1.105.03-1994; and GR-253-CORE for all supported rates. Transmit output jitter is not tested during production test.



PARAMETER	CONDITION	MIN	NOM	MAX	UNIT
Transmitter Output Jitter	CMI Mode; 200 Hz to 3.5 MHz, measured with respect to CKREF for 60s			0.075	U <sub>lpp</sub>
	NRZ (optical) Mode; 12 kHz to 1.3 MHz, measured with respect to CKREF			0.01	U <sub>lrms</sub>

**ELECTRICAL SPECIFICATIONS** (continued)

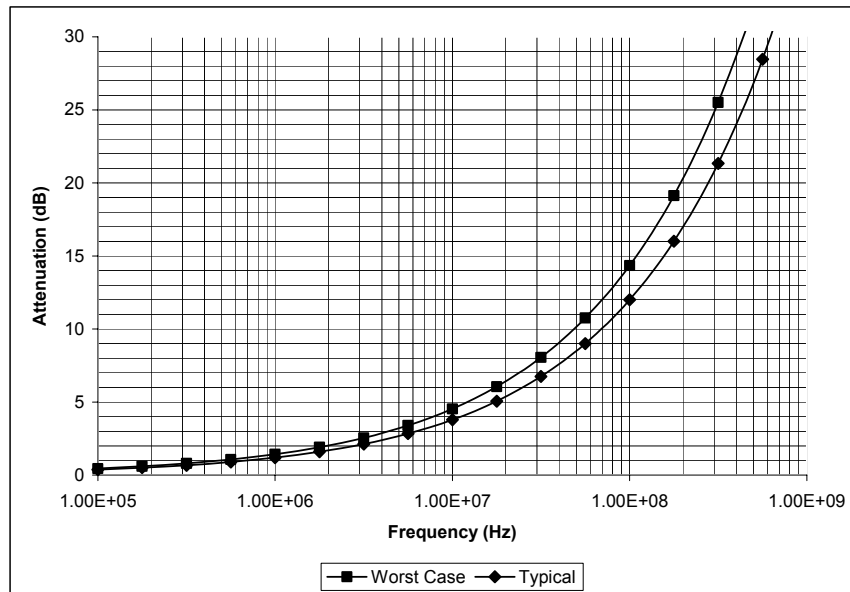
**RECEIVER SPECIFICATIONS FOR CMI INTERFACE (Transformer-coupled)**

Consult application note for reference schematic, layout guidelines, and recommended transformers.

PARAMETER	CONDITION	MIN	TYP	MAX	UNIT
Peak Differential Input Amplitude, RXxP and RXxN	CMI mode; MON=0; 12.7dB of cable loss	70		550	mVpk
Peak Differential Input Amplitude, RXxP and RXxN	CMI mode; MON=1; 20dB flat loss w/ 6dB of cable loss	25		80	mVpk
Flat-loss Tolerance	CMI mode; MON=0; All valid cable lengths.	-2		6	dB
Receive Clock Jitter	STM-1 mode; CMI mode; 12.7 dB cable loss a) Normal receive mode b) Remote loopback mode			0.1 0.07	UIpp UIpp
Latency			5	10	UI
PLL Lock Time			1	10	μs
Return Loss	7MHz to 240MHz	15			dB

The input signal is assumed compliant with ITU-T G.703 and can be attenuated by the dispersive loss of a cable. The minimum cable loss is 0dB and the maximum is -12.7dB at 78MHz.

The “Worst Case” line corresponds to the ITU-T G.703 recommendation. The “Typical” line corresponds to a typical installation referred to in ANSI T1.102-1993. The receiver is tested using the cable model. It is a lumped element approximation of the “Worst Case” line.

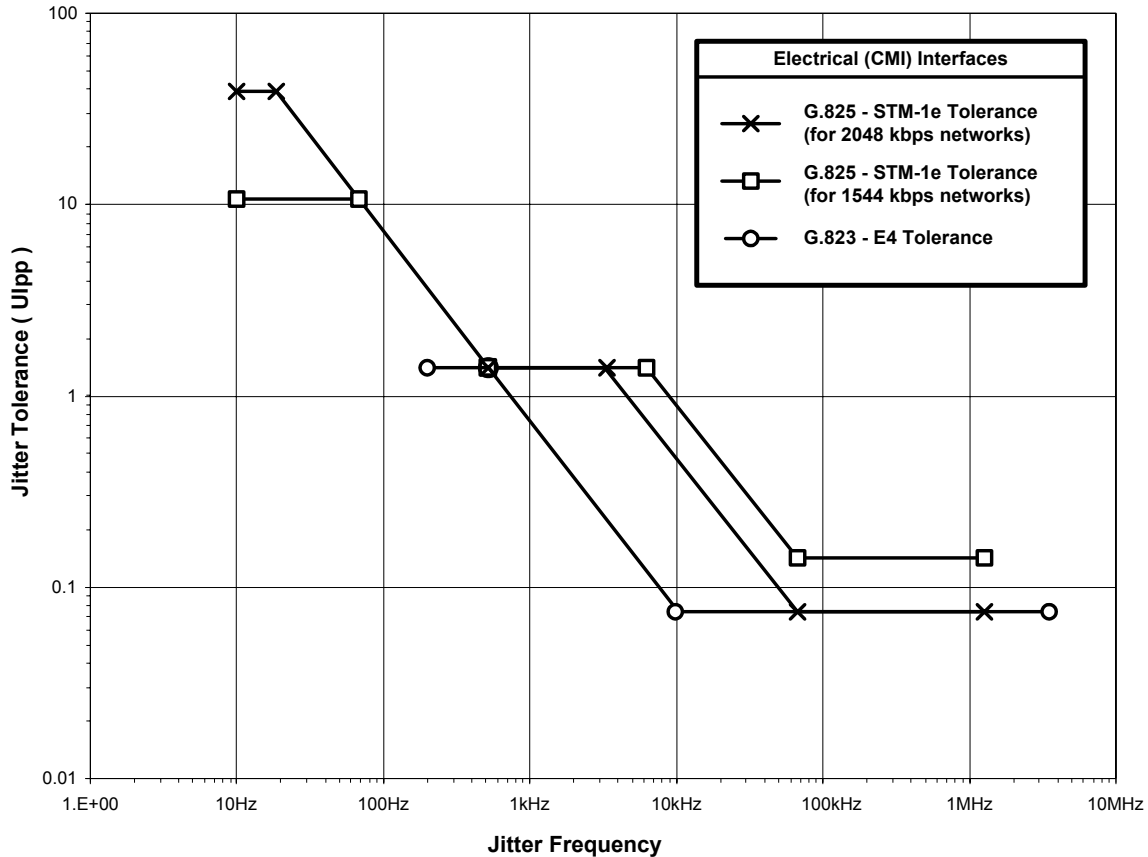


**Figure 15: Typical and worst-case Cable attenuation**

**ELECTRICAL SPECIFICATIONS** (continued)

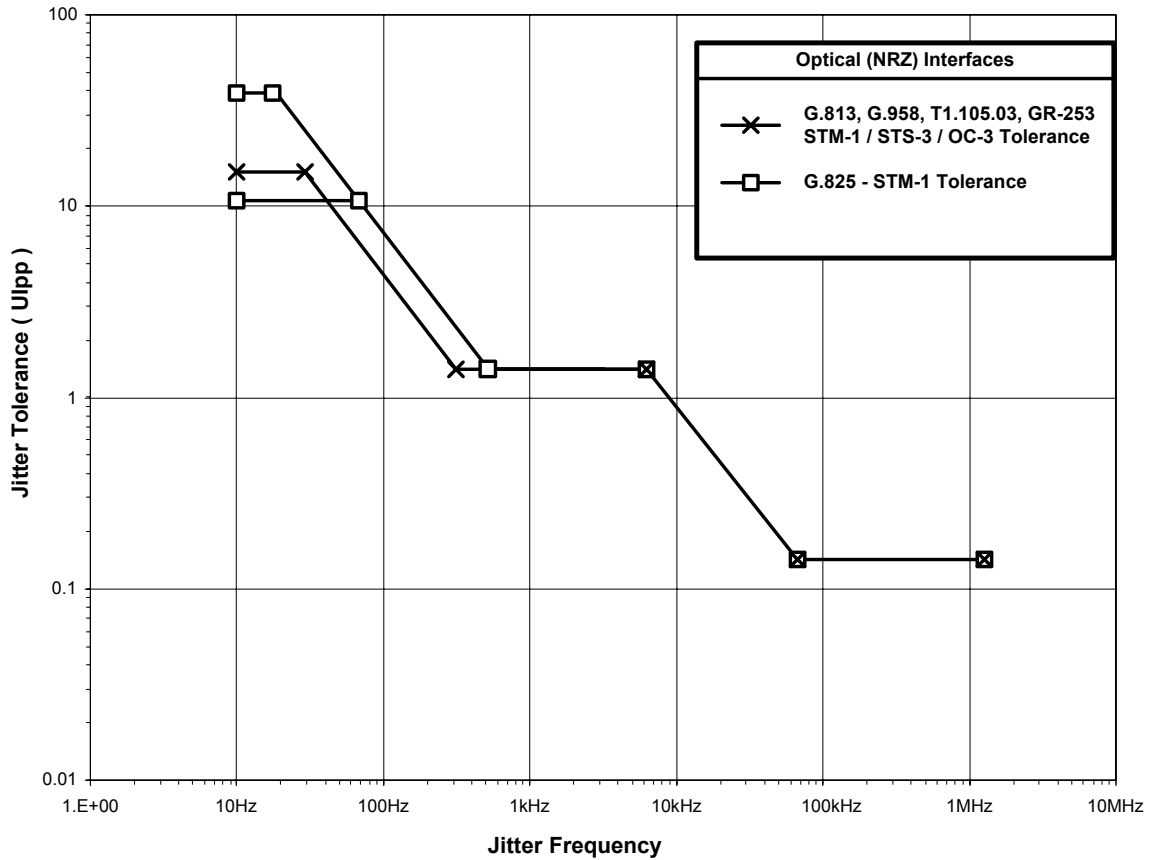
**RECEIVER JITTER TOLERANCE**

The 78P2352 exceeds all relevant jitter tolerance specifications shown in Figures 16, 17. STS-3/OC-3 jitter tolerance specifications are in ANSI T1.105.03-1994 and Telcordia GR-253-CORE. STM-1 (optical) jitter tolerance specifications are in ITU-T G.813, G.825, and G.958. STM-1e (electrical) jitter tolerance specifications are in ITU-T G.825. E4 specifications are found in ITU-T G.823. Receive jitter tolerance is not tested during production test.



**Figure 16: Jitter Tolerance - electrical (CMI) interfaces**

PARAMETER	CONDITION	MIN	NOM	MAX	UNIT
E4 Jitter Tolerance	200Hz to 500Hz	1.5			UIpp
	500Hz to 10kHz		750 f-1		μs
	10kHz to 3.5MHz	0.075			UIpp
STM-1e Jitter Tolerance	10Hz to 19.3Hz	38.9			UIpp
	19.3Hz to 500Hz		750 f-1		μs
	500Hz to 6.5kHz	1.5			UIpp
	6.5kHz to 65kHz		9800 f-1		μs
	65kHz to 1.3MHz	0.15			UIpp

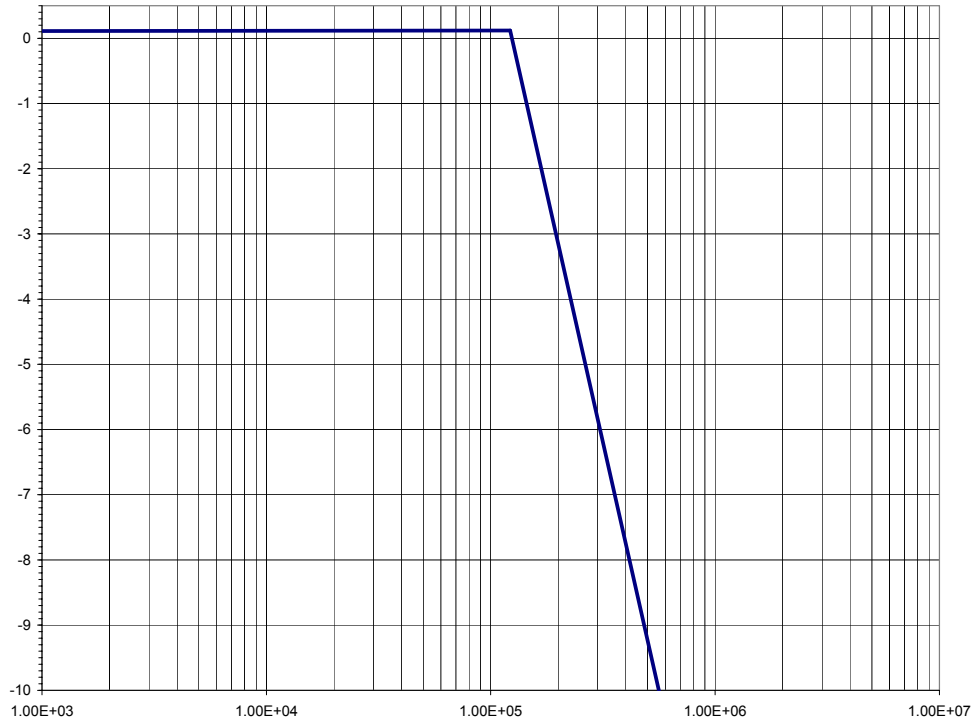
**ELECTRICAL SPECIFICATIONS (continued)**

**Figure 17: Jitter Tolerance - optical (NRZ) interfaces**

PARAMETER	CONDITION	MIN	NOM	MAX	UNIT
OC-3/STS-3/STM-1 (optical) Jitter Tolerance	10Hz to 19.3Hz	38.9			UIpp
	19.3Hz to 68.7Hz		750 f-1		$\mu$ s
	68.7Hz to 6.5kHz	1.5			UIpp
	6.5kHz to 65kHz		9800 f-1		$\mu$ s
	65kHz to 1.3MHz	0.15			UIpp

**ELECTRICAL SPECIFICATIONS** (continued)

**RECEIVER JITTER TRANSFER FUNCTION**

The receiver clock recovery loop filter characteristics such that the receiver has the following transfer function. The corner frequency of the Rx DLL is approximately 120 kHz. Receiver jitter transfer function is not tested during production test.

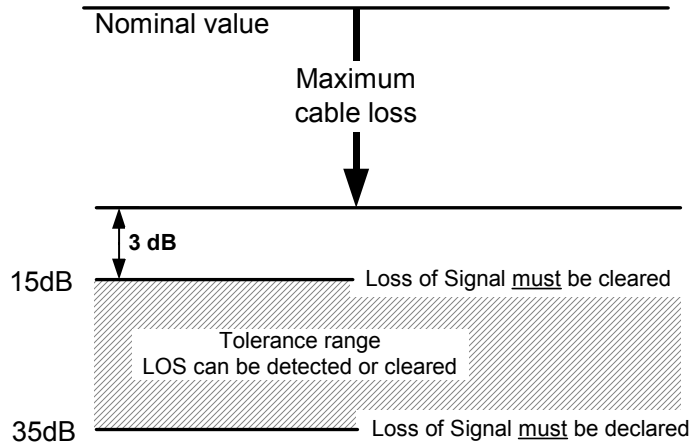

**Figure 18: Jitter Transfer**

PARAMETER	CONDITION	MIN	NOM	MAX	UNIT
Receiver Jitter transfer function	below 120 kHz			0.1	dB
Jitter transfer function roll-off			20		dB per decade

**ELECTRICAL SPECIFICATIONS** (continued)

**CMI MODE LOSS OF SIGNAL CONDITION**

PARAMETER	CONDITION	MIN	TYP	MAX	UNIT
LOS threshold	Combination of cable loss at 78MHz and flat loss	-35	-19	-15	dB
LOS timing		10	110	255	UI



**APPLICATION INFORMATION**

**EXTERNAL COMPONENTS:**

COMPONENT	PIN(S)	VALUE	UNITS	TOLERANCE
Receiver Termination Resistor, CMI Mode	RXxP RXxN	75	$\Omega$	1%
Transmitter Termination Resistor, CMI Mode	CMixP CMixN	75	$\Omega$	1%

**(CMI) TRANSFORMER SPECIFICATIONS:**

COMPONENT	VALUE	UNITS	TOLERANCE
Turns Ratio for the Receiver		1:1	
Turns Ratio for the Transmitter (center-tapped)		1:1CT	

Suggested Manufacturers: Halo, Tamura, MiniCircuits, Belfuse

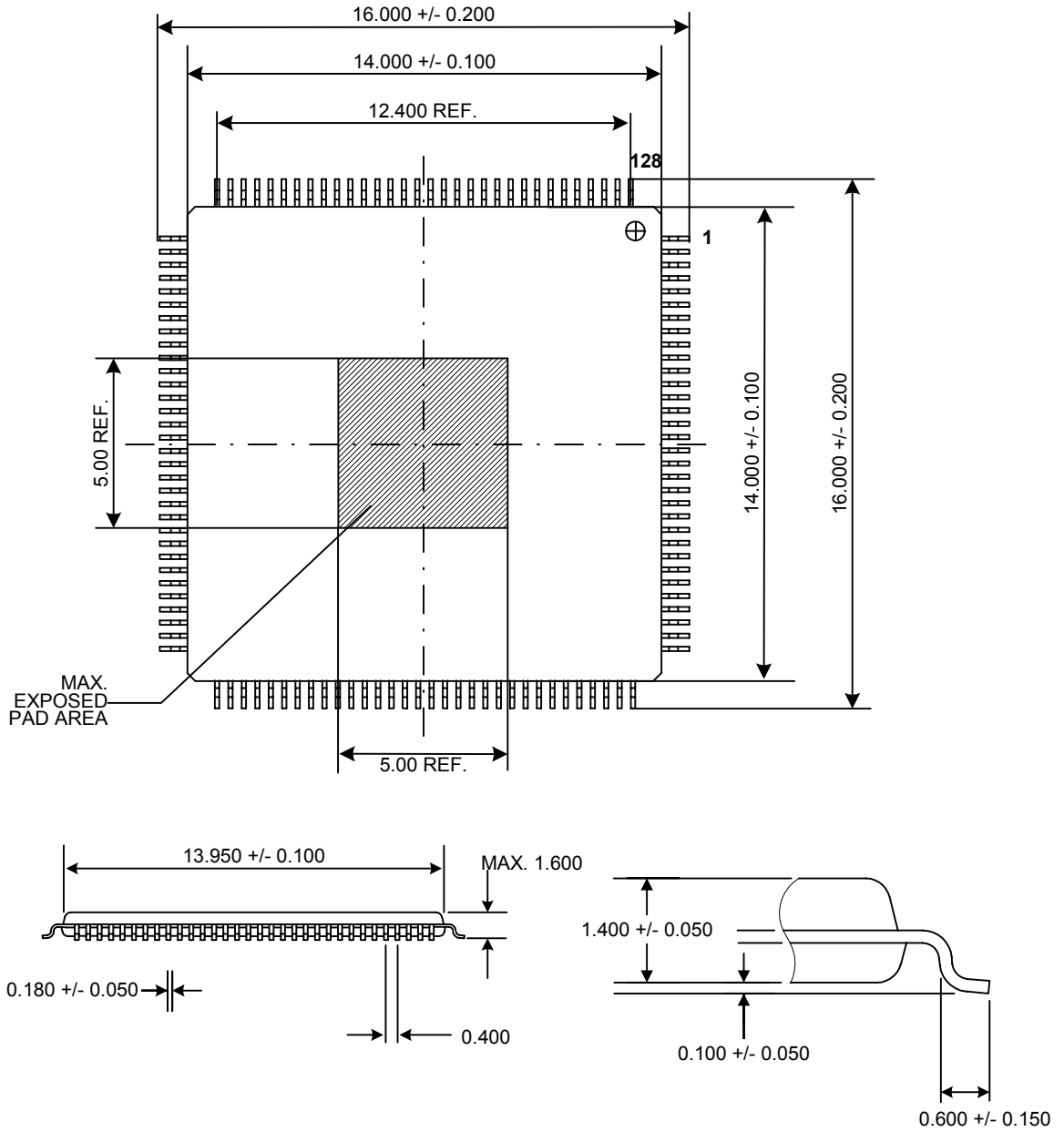
**THERMAL INFORMATION:**

PACKAGE	CONDITIONS	$\Theta_{JA}$ (°C/W)
Standard 128-pin JEDEC LQFP (78P2352-IGT)	No forced air; 4-layer JEDEC test board	46
(Recommended) Thermally enhanced Exposed Pad 128-pin JEDEC LQFP (78P2352-IEL)	No forced air; 4-layer JEDEC test board; Die attach pad soldered to PCB	24.8

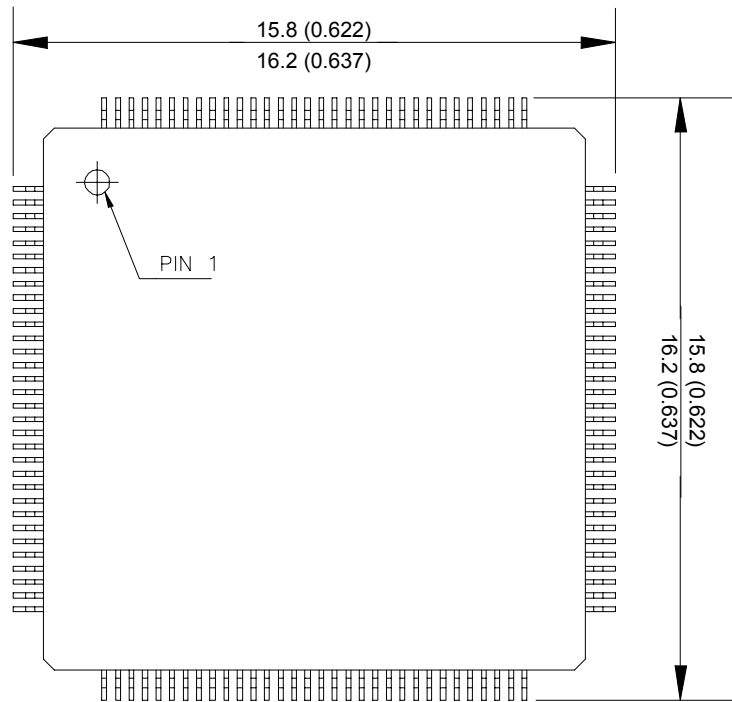
**SCHEMATICS**

For reference schematics, layout guidelines, recommended transformer part numbers, etc. please check Teridian Semiconductor's website or contact your local sales representative for the latest application note(s) and/or demo board manuals.

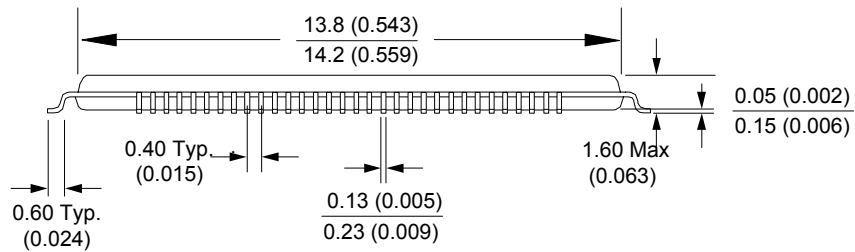
**MECHANICAL SPECIFICATIONS**



**78P2352-IEL**  
**128-pin Exposed Pad JEDEC LQFP**  
(Bottom View)

**MECHANICAL SPECIFICATIONS**


Top View



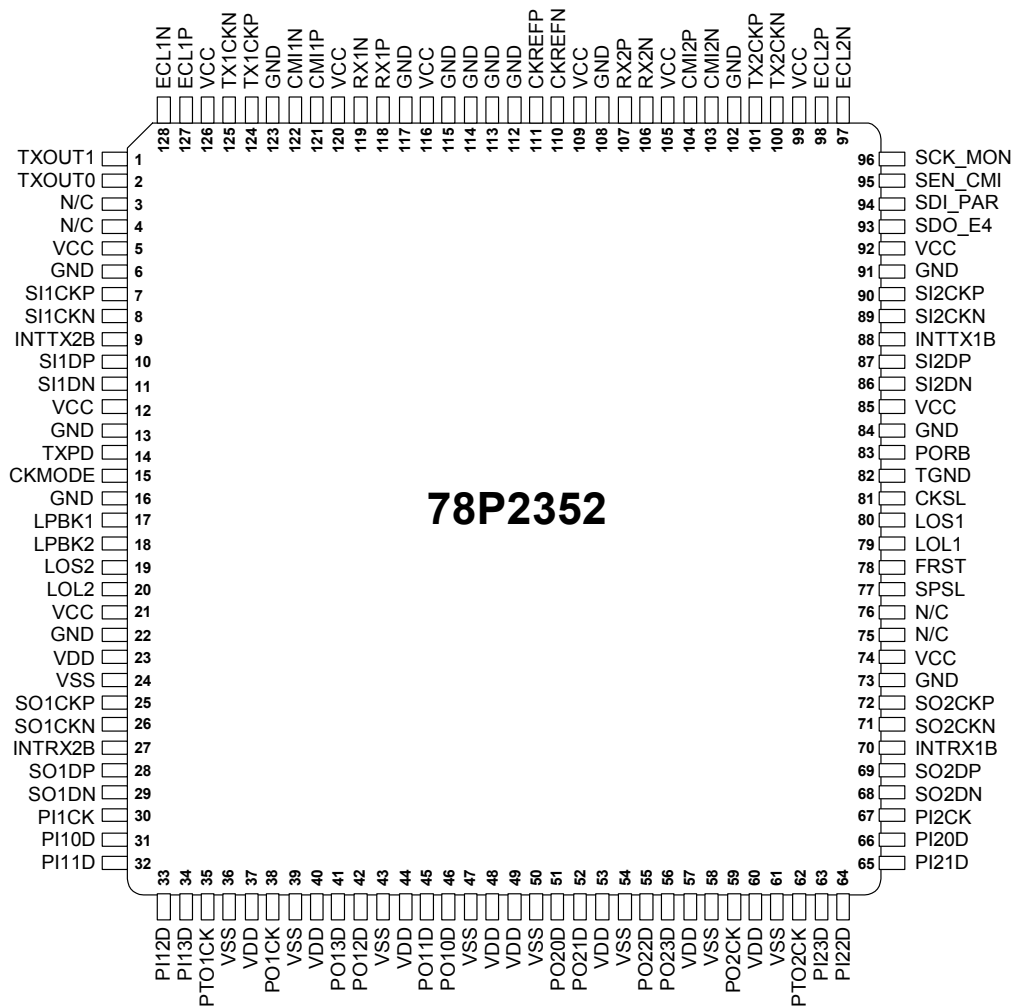
Side View

**78P2352-IGT**  
**128-pin Standard JEDEC LQFP (Top View)**



**PACKAGE INFORMATION**

(Top View)



**ORDERING INFORMATION**

PART DESCRIPTION	ORDER NUMBER	PACKAGE MARK
128-pin LQFP, <i>Open-drain outputs for LOSx, LOLx, INTTRx</i>	78P2352-IGT	78P2352-IGT xxxxxxxxxxP6
128-pin LQFP, <i>CMOS type outputs for LOSx, LOLx, INTTRx</i>	70P2352-IGT	70P2352-IGT xxxxxxxxxxP6
128-pin LQFP w/ Exposed Solder Pad, <i>Open-drain outputs for LOSx, LOLx, INTTRx</i>	78P2352-IEL	78P2352-IEL xxxxxxxxxxP6
Tape & Reel option	<i>append 'R'</i>	n/a
Lead-free option	<i>append 'F'</i>	xxxxxxx-xxx xxxxxxxxxxP6F