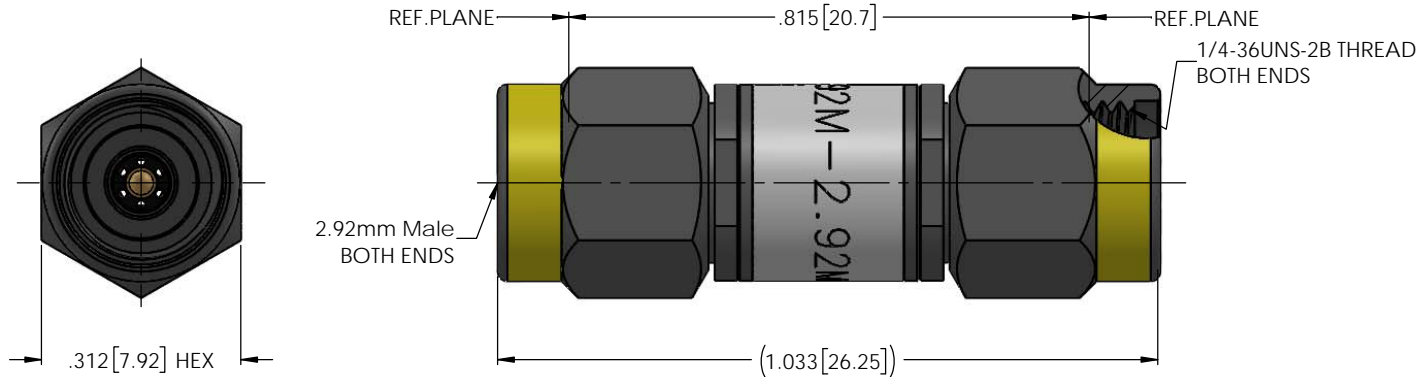


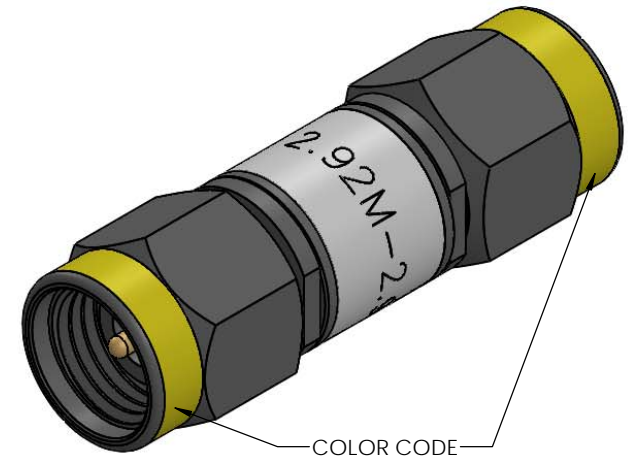
ALL DIMENSIONS IN BRACKETS ARE IN MM AND ARE FOR REFERENCE PURPOSE ONLY



ELECTRICAL SPECIFICATIONS	
FREQUENCY RANGE	DC- 40GHz
VSWR	1.25 Max @ 40GHz
INSERTION LOSS	0.38dB Max@ 40GHz
WORKING VOLTAGE@SEA LEVEL	250 Vrms
DWV@SEA LEVEL	750 Vrms
INSULATION RESISTANCE	5000MΩ
MECHANICAL SPECIFICATIONS	
DURABILITY	500 CYCLES MIN
COUPLING NUT TORQUE - RECOMMENDED	7-10 IN.LBS[0.8 - 1.1N.m]
CONTACT CAPTIVATION	≥4.5 LBS [20N]
ENVIRONMENTAL SPECIFICATIONS	
TEMP RANGE	-55° TO +125° C

NOTES:

- ASSEMBLED CONNECTOR INTERFACE IS DESIGNED IN ACCORDANCE WITH IEC61169-35(2.92mm).



DESCRIPTION	MATERIAL	FINISH
INSULATOR - HIGH FREQUENCY	NORYL EN265, POLYPHENYLENE OXIDE (PPO), PER ASTMD-4349 PPE220B50541 F13 G1106	N/A
CONTACT - HIGH FREQUENCY	BERYLLIUM COPPER PER ASTM B196, C17300, TEMPER TD04	GOLD PLATE PER ASTM B488
LOCKING RING	BERYLLIUM COPPER PER ASTM B196, C17300, TEMPER TD04	N/A
COUPLING NUT	CORROSION RESISTANT STEEL PER ASTM 582, S30300, COND. A	PASSIVATE PER SAE-AMS-2700
BUSHING - HIGH FREQUENCY	BRASS PER ASTM B16, C36000 ALLOY, TEMPER H02	GOLD PLATE PER ASTM B488
BODY - HIGH FREQUENCY	CORROSION RESISTANT STEEL PER ASTM 582, S30300, COND. A	PASSIVATE PER SAE-AMS-2700

Table 1

PROPRIETARY AND CONFIDENTIAL
 THE INFORMATION CONTAINED IN THIS DRAWING IS THE SOLE PROPERTY OF DELTA ELECTRONICS (NANJING) CO.LTD. ANY REPRODUCTION IN PART OR AS A WHOLE WITHOUT THE WRITTEN PERMISSION OF DELTA ELECTRONICS (NANJING) CO.LTD. IS PROHIBITED.
 FILE NAME: 7927000K001-8051-C

UNLESS OTHERWISE SPECIFIED:		NAME	DATE	DELTA ELECTRONICS MFG CORP. BEVERLY, MA 01915 www.deltar.com / Ph: 978-927-1060 / Fax: 978-922-6430	
DIMENSIONS ARE IN INCHES		DRAWN	SRC		8/17/2020
TOLERANCES:		CHECKED	ADK		8/17/2020
FRACTIONAL 1/64 ANGULAR MATCH 1° BEND 1° TWO PLACE DECIMAL .01 THREE PLACE DECIMAL .005 MAX CORNER BREAK = .005 MAX T.I.R. = .004 SURFACE FINISH = A3 or BETTER ☉ DENOTES CRITICAL DIMENSION		ENG APPR.	BJM		8/17/2020
THIRD ANGLE PROJECTION		COMMENTS:		TITLE:	
MATERIAL				2.92mm MALE To 2.92mm MALE STRAIGHT ADAPTER	
FINISH				SIZE B	
SCALE:				DWG. NO. 7927000K001-805-C	
				REV -	
				CODE ID - 00795 WEIGHT: 7.31 g SHEET 1 OF 1	