

General purpose accelerometer



793 series

SPECIFICATIONS

| | | |
|------------------------------------------------|------------------|------------------------------------|
| Sensitivity, $\pm 5\%$, 25°C | | 100 mV/g |
| Acceleration range, VDC > 25 V | | 80 g peak |
| Amplitude nonlinearity | | 1% |
| Frequency response: | $\pm 5\%$ | 1.5 - 5,000 Hz |
| | $\pm 10\%$ | 1.0 - 7,000 Hz |
| | ± 3 dB | 0.5 - 15,000 Hz |
| Resonance frequency | | 25 kHz |
| Transverse sensitivity, max | | 5% of axial |
| Temperature response: | -50°C | -15% |
| | +120°C | +20% |
| Power requirement: | | |
| Voltage source | | 18 - 30 VDC |
| Current regulating diode | | 2 - 10 mA |
| Electrical noise, equiv. g: | | |
| Broadband | 2.5 Hz to 25 kHz | 600 μ g |
| Spectral | 10 Hz | 8 μ g/ \sqrt Hz |
| | 100 Hz | 5 μ g/ \sqrt Hz |
| | 1,000 Hz | 5 μ g/ \sqrt Hz |
| Output impedance, max | | 100 Ω |
| Bias output voltage | | 12 VDC |
| Grounding | | case isolated, internally shielded |
| Temperature range | | -50° to +120°C |
| Vibration limit | | 500 g peak |
| Shock limit | | 5,000 g |
| Sealing | | hermetic |
| Base strain sensitivity, max | | 0.0005 g/ μ strain |
| Sensing element design | | PZT, compression |
| Weight | | 112 grams |
| Case material | | 316L stainless steel |
| Mounting | | 1/4-28 tapped hole |
| Output connector | | 2 pin, MIL-C-5015 style |
| Mating connector | | R6 type |
| Recommended cabling | | J10 / J9T2A |

Accessories supplied: SF6 mounting stud (metric mounting available); calibration data (level 3)

Certifications

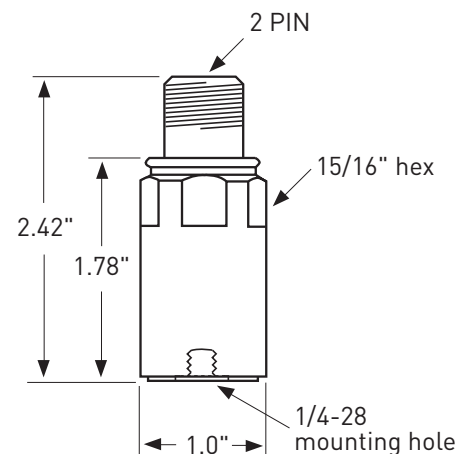
| | |
|------------------------------------------------------------------------------------|-------------------------------------------------------------------------------------------------------------------------------------------------------------------------------|
| All 793 models | 793E |
|  |  Class I, II, III, T4 Div 1 Groups A, B, C, D, E, F, G Div 2 Groups A, B, C, D, F, G |

Note: Due to continuous process improvement, specifications are subject to change without notice.
This document is cleared for public release.



Key features

- Hazardous area certified versions available (model 793E, 793-33, 793-35)
- Radiation resistant version available (model 793R)
- Manufactured in ISO 9001 facility



| Connections | |
|--------------|---------------|
| Function | Connector pin |
| power/signal | A |
| common | B |
| ground | shell |