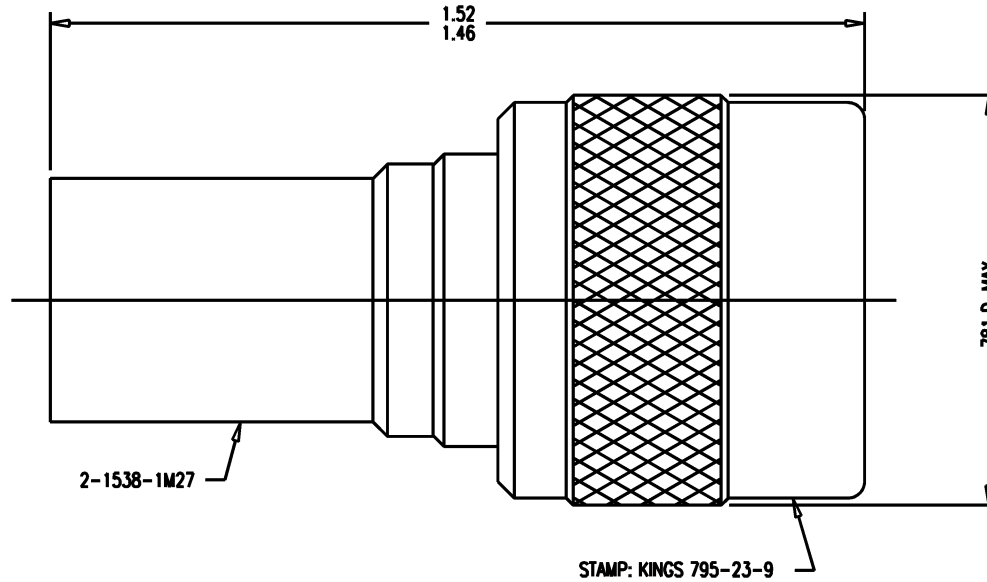


GSD

795-23-9



NOTES:

1. FOR USE WITH BOEING S280W503-5 & ADAMS RUSSELL FC38Z CABLES.
2. FOR CABLING INSTRUCTIONS SEE 3-546-2.
3. FOR CRIMPING USE DIE KTH-2213.
4. INTERFACE PER MIL-STD-348, FIG. 302-1.
5. CENTER CONTACT (1-856-15MA9) SUPPLIED UNASSEMBLED.
6. MARK PACKAGE: KINGS 795-23-9
XX XX (DATE CODE)
7. MATERIALS:
INSULATOR: TEFLON, ASTM-D-4894
GASKET: SIL. RUB., ZZ-R-765
K-GRIP SLEEVE: COM. BRONZE TUBE, ASTM-B135
OUTER CONTACT
SPRING WASHERS BR. COP., ASTM-B-196
ALL OTHER PARTS: BRASS, ASTM-B16
8. FINISHES:
CENTER CONTACT: GOLD PLATE PER MIL-G-45204
OUTER CONTACT & SPRING WASHER: SILVER PLATE PER QQ-S-365
ALL OTHER METAL PARTS: KINGS TARNISH RESISTANT NICKEL FINISH (TR-5)
9. ELECTRICAL CHARACTERISTICS:
NOMINAL IMPEDANCE: 50~W
VOLTAGE RATING: 1000 VOLTS RMS
FREQUENCY RANGE: DC TO 11 GHZ

REVISIONS

ISSUE	CHANGES
0	ER 36273 ME 05/03/95

OGS0399

SCALE	4:1
APPROX SURFACE AREA	
WAS: E-18834	
USED ON	
REF: B.G. ELECTRIC	
PLUG, C, M	
DRAWN	ME 05/03/95
DESIGN	CT 05/05/95
APPR.	DATE

KINGS
ELECTRONICS CO., INC.
TUCKAHOE, NEW YORK 10707

795-23-9

GSD