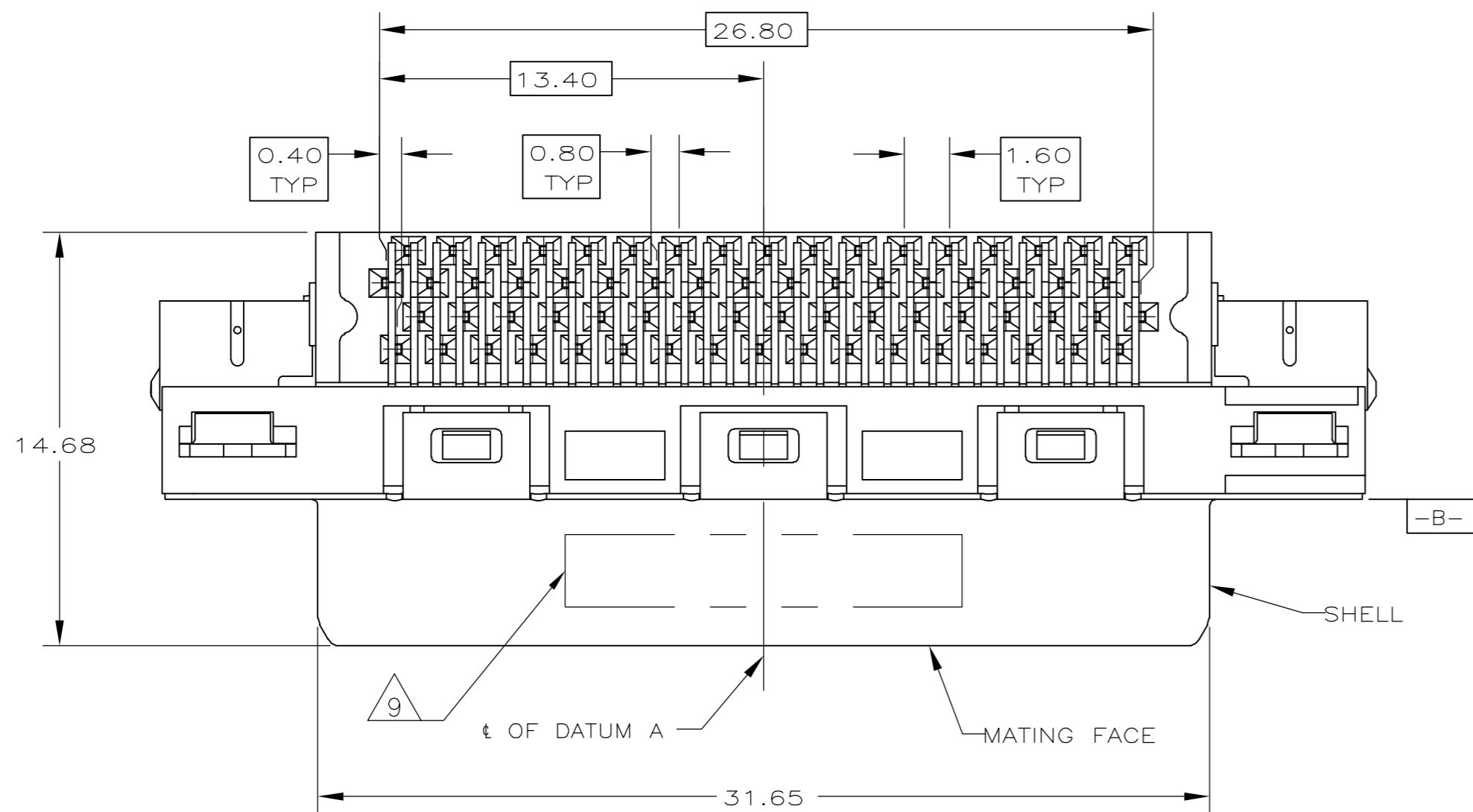
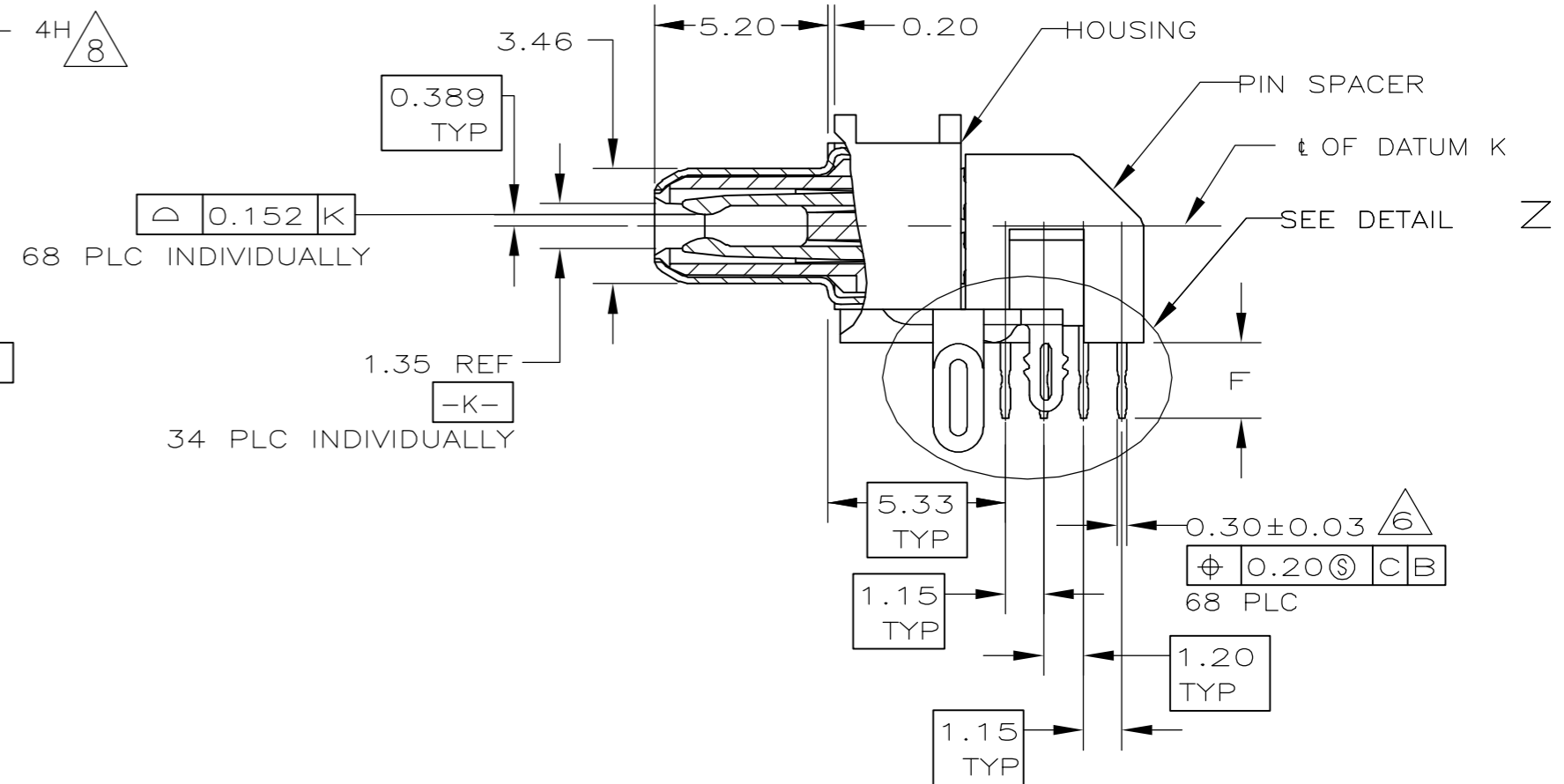
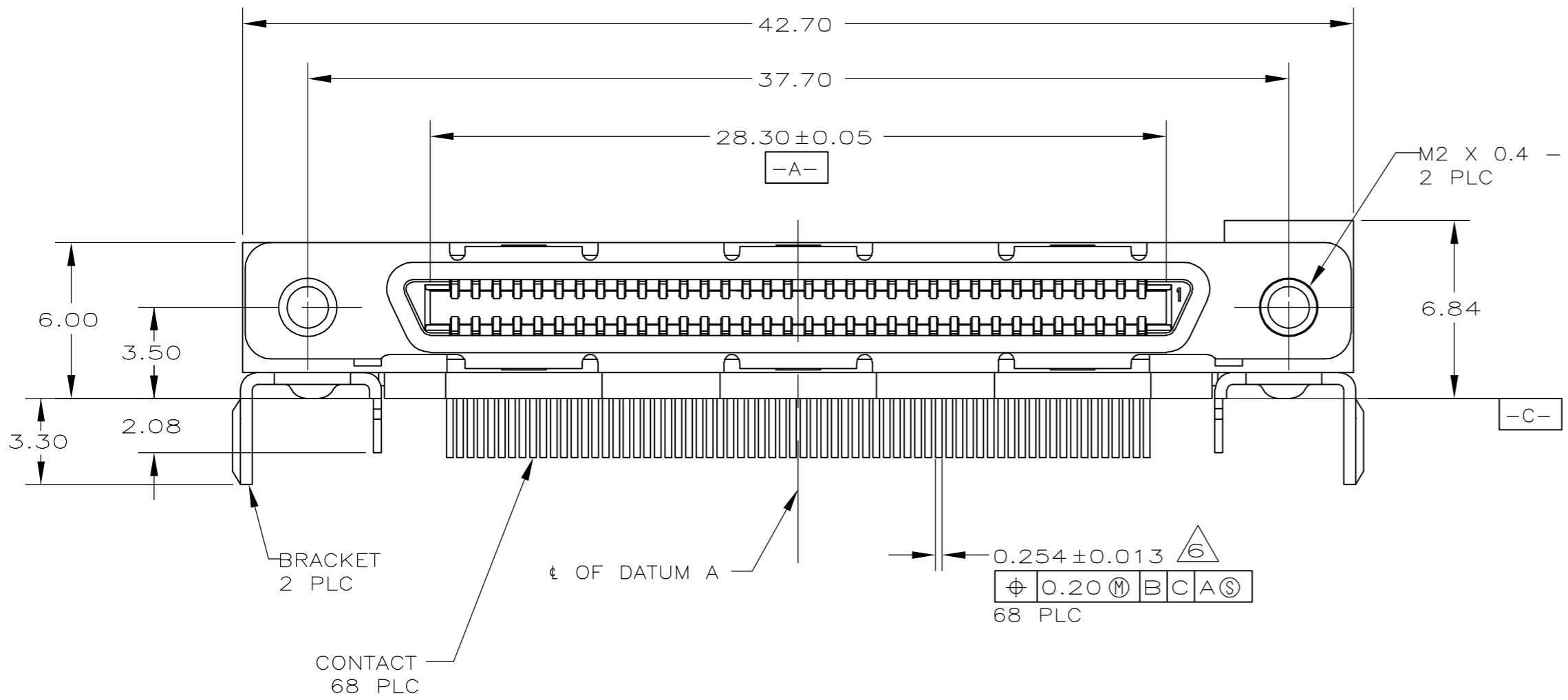


THIS DRAWING IS UNPUBLISHED. RELEASED FOR PUBLICATION
 © COPYRIGHT BY TYCO ELECTRONICS CORPORATION. ALL RIGHTS RESERVED.

LOC		DIST		REVISIONS			
P	LTR	DESCRIPTION		DATE	DWN	APVD	
GP	00	P		REVISED PER ECO-07-004221	30MAR07	JDP	EDB



- 1 HOUSING & PIN SPACER: THERMOPLASTIC, BLACK, UL 94V-0 RATED. SHELL: CARBON STEEL. CONTACTS: PHOSPHOR BRONZE. BRACKETS: STEEL.
- 2 SHELL: 5.08 μm MIN NICKEL OVER 2.54 μm MIN COPPER. CONTACTS: 0.76 μm MIN GOLD ON MATING END, 3.75 MIN TIN-LEAD ON SOLDER TAILS, BOTH OVER 1.27 μm MIN NICKEL ON ENTIRE CONTACT. BRACKETS: TIN PLATED.
- 3 CONTACTS DESIGNED FOR USE ON 1.60±0.15 THICK PC BOARD WITH PLATED THRU MOUNTING HOLES.
- 4 RECEPTACLE ASSEMBLY DESIGNED FOR USE WITH 1.12±0.08 THICK PANEL.
- 5 DATUMS AND DIMENSIONS ESTABLISHED BY CUSTOMER.
- 6 POSITION TOLERANCE APPLIES AT CONTACT TIP ONLY.
- 7 CONTACTS DESIGNED FOR USE ON 2.35±0.15 THICK PC BOARD WITH PLATED THRU MOUNTING HOLES.
- 8 MAXIMUM TORQUE 0.45 N-M.
- 9 DATE CODE MARKED IN APPROXIMATE AREA SHOWN.



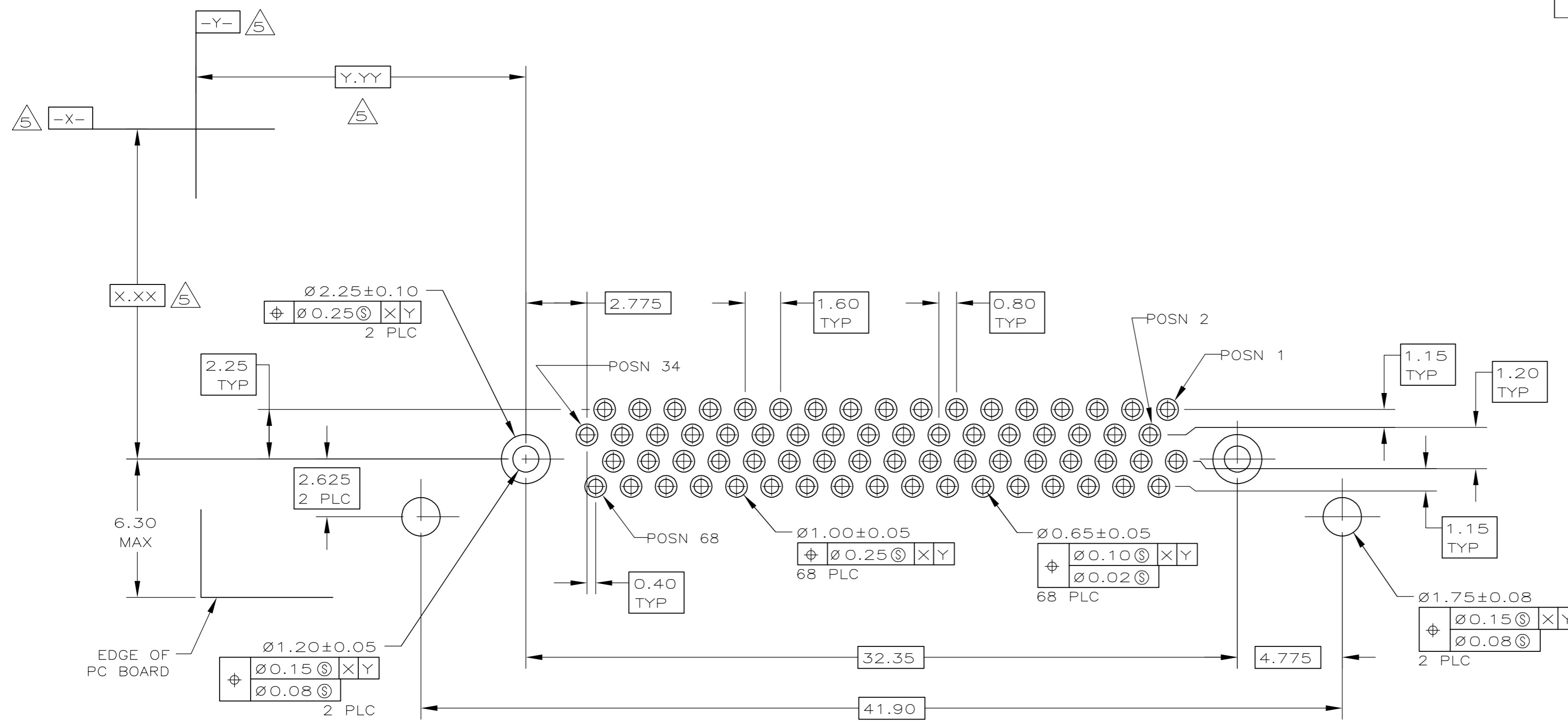
SUPERSEDED BY 796055-1

REVISIONS	DATE	PART NUMBER
3	2.27	796055-3
7	3.55	796055-2
3	2.27	796055-1
REMARKS	F	PART NUMBER

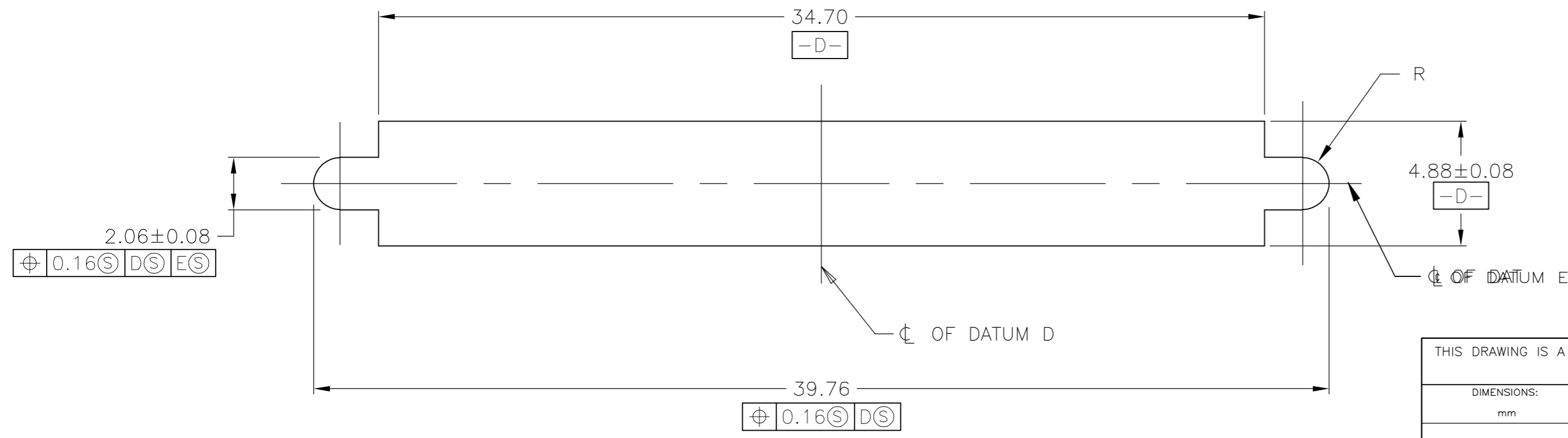
THIS DRAWING IS A CONTROLLED DOCUMENT.		DWN T.SHUEY 09MAR05	Tyco Electronics Corporation Harrisburg, PA 17105-3608	
DIMENSIONS: mm		CHK J.GERACE 09MAR05	NAME	
TOLERANCES UNLESS OTHERWISE SPECIFIED:		APVD M.WALMSLEY 09MAR05	PRODUCT SPEC	
0 PLC ± -	1 PLC ± -	108-1471-1		
2 PLC ± 0.13	3 PLC ± -	APPLICATION SPEC		
4 PLC ± -	ANGLES ± 1°	114-6057		
MATERIAL 1	FINISH 2	WEIGHT -	SIZE A2	CAGE CODE 00779
CUSTOMER DRAWING		SCALE 5:1	DRAWING NO C=796055	RESTRICTED TO -
		SHEET 1 of 2	REV P	

THIS DRAWING IS UNPUBLISHED. RELEASED FOR PUBLICATION
 © COPYRIGHT BY TYCO ELECTRONICS CORPORATION. ALL RIGHTS RESERVED.

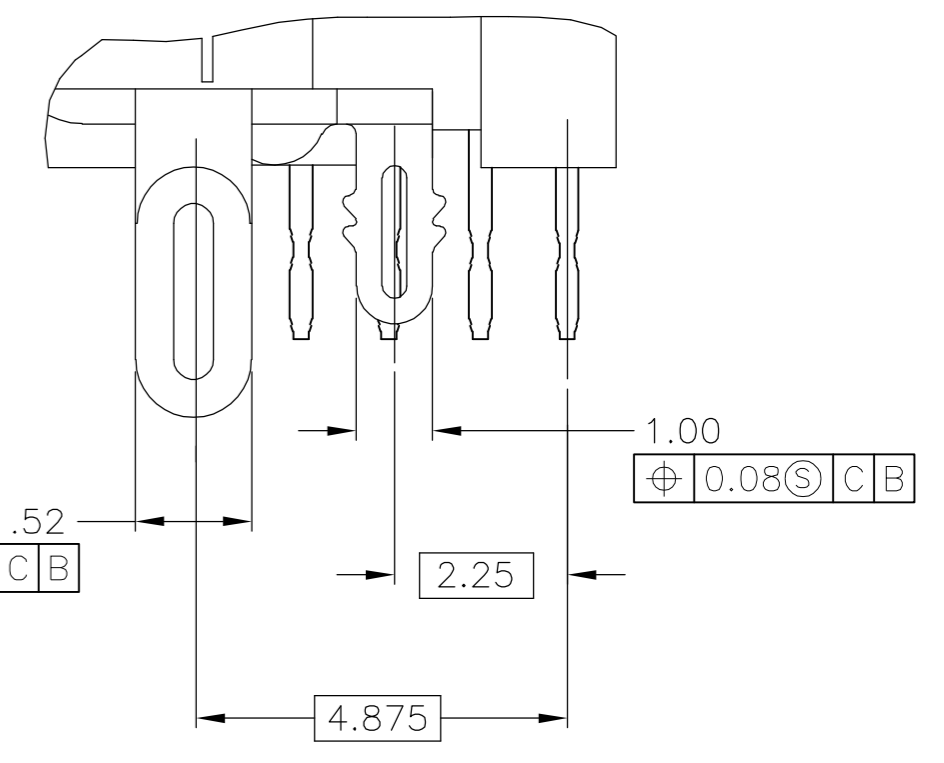
LOC	DIST	REVISIONS					
GP	00	P	LTR	DESCRIPTION	DATE	DWN	APVD
		-		SEE SHEET 1	-	-	-



PC BOARD MOUNTING DIMENSIONS



PANEL CUT-OUT DIMENSIONS



THIS DRAWING IS A CONTROLLED DOCUMENT.		DWN	09MAR05	 Tyco Electronics Corporation Harrisburg, PA 17105-3608							
DIMENSIONS: mm		CHK	09MAR05								
TOLERANCES UNLESS OTHERWISE SPECIFIED:		APVD	09MAR05								
0 PLC ± - 1 PLC ± - 2 PLC ± 0.13 3 PLC ± - 4 PLC ± - ANGLES ± 1° FINISH -		NAME	M.WALMSLEY								
MATERIAL		PRODUCT SPEC	APPLICATION SPEC	RECEPTACLE ASSEMBLY, 68 POSITION, SHIELDED, RIGHT ANGLE, CHAMP 0.8mm							
		WEIGHT	-	SIZE	A2	CAGE CODE	00779	DRAWING NO	C=796055	RESTRICTED TO	-
		CUSTOMER DRAWING		SCALE	6:1	SHEET	2 of 2	REV	P		