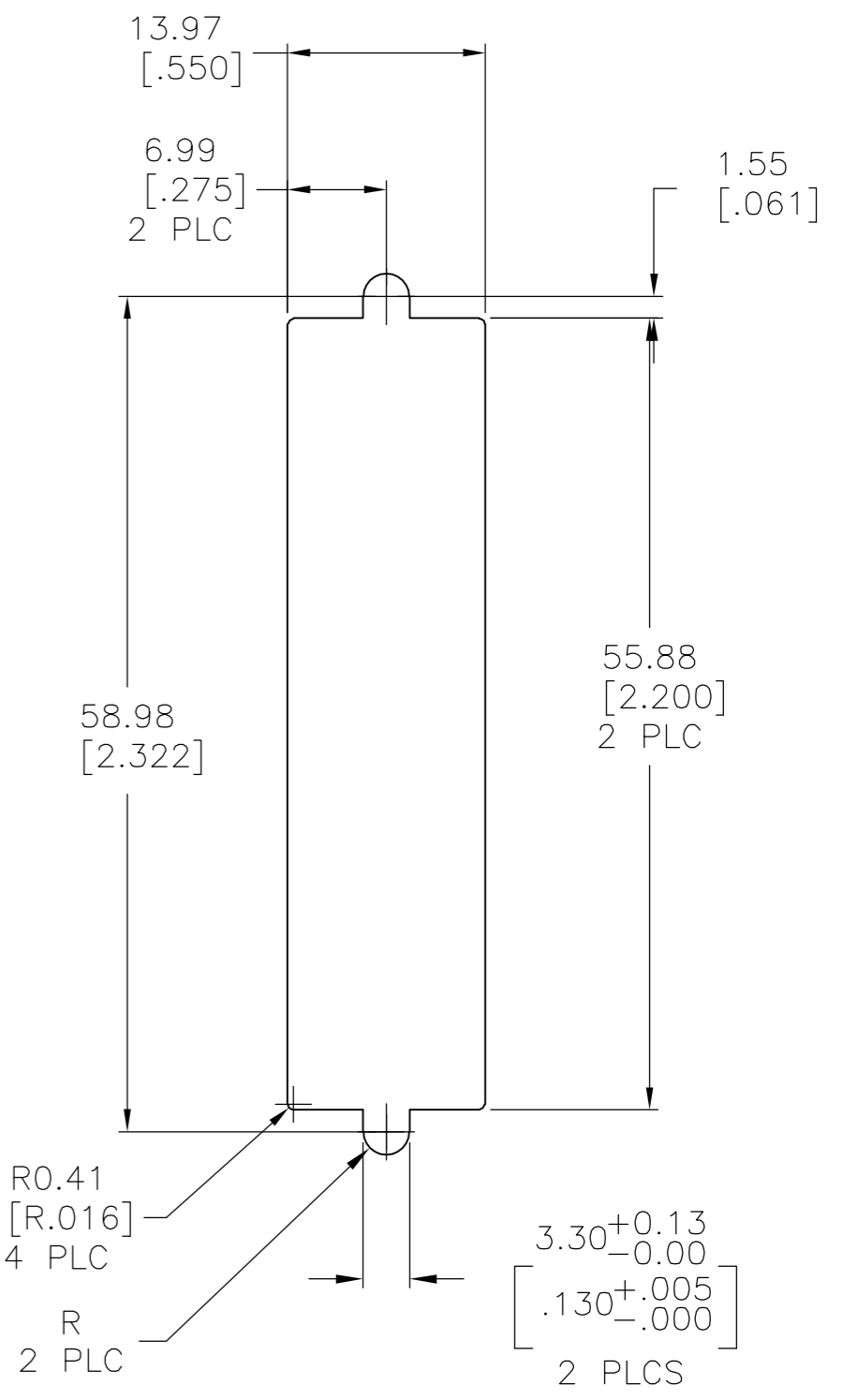
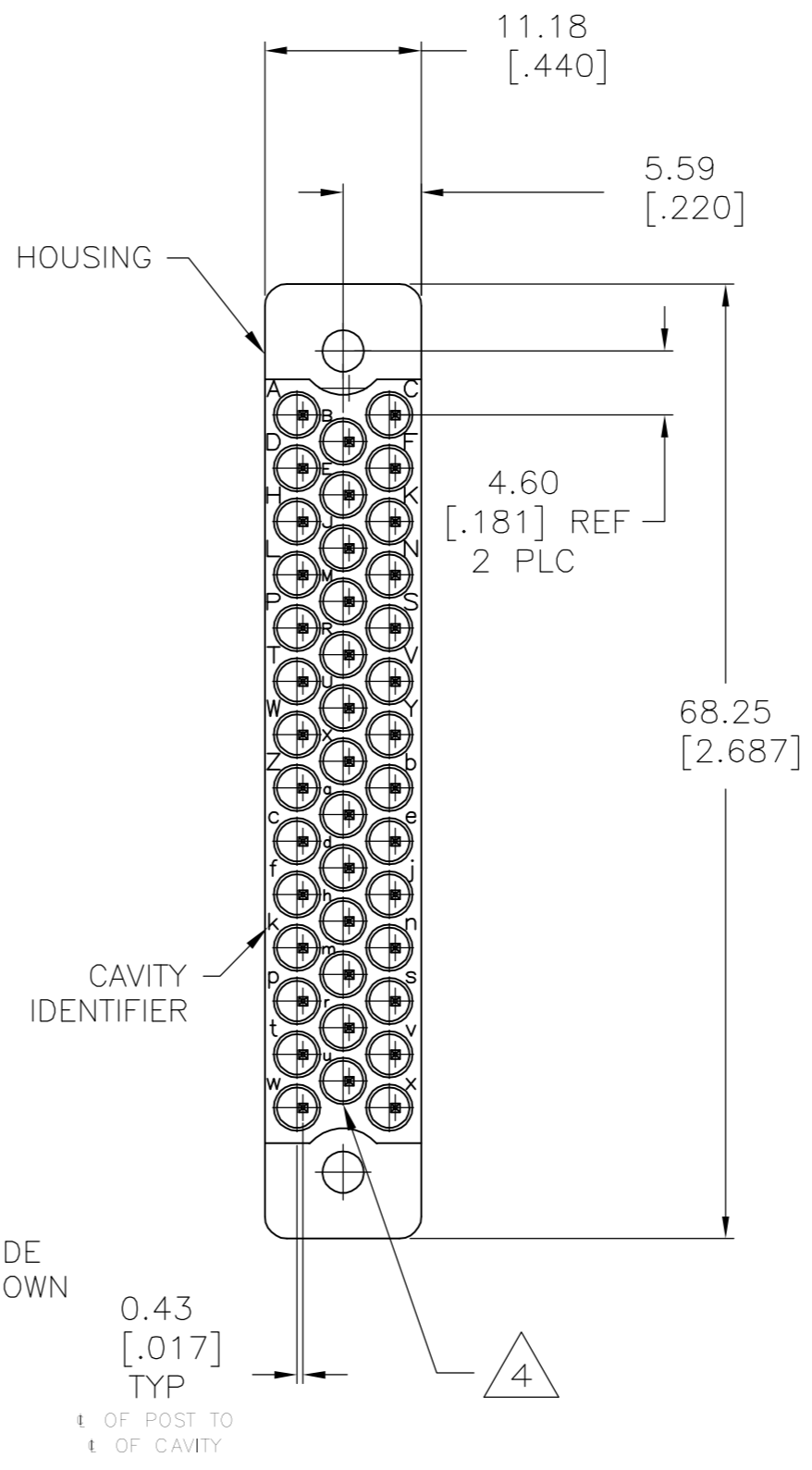
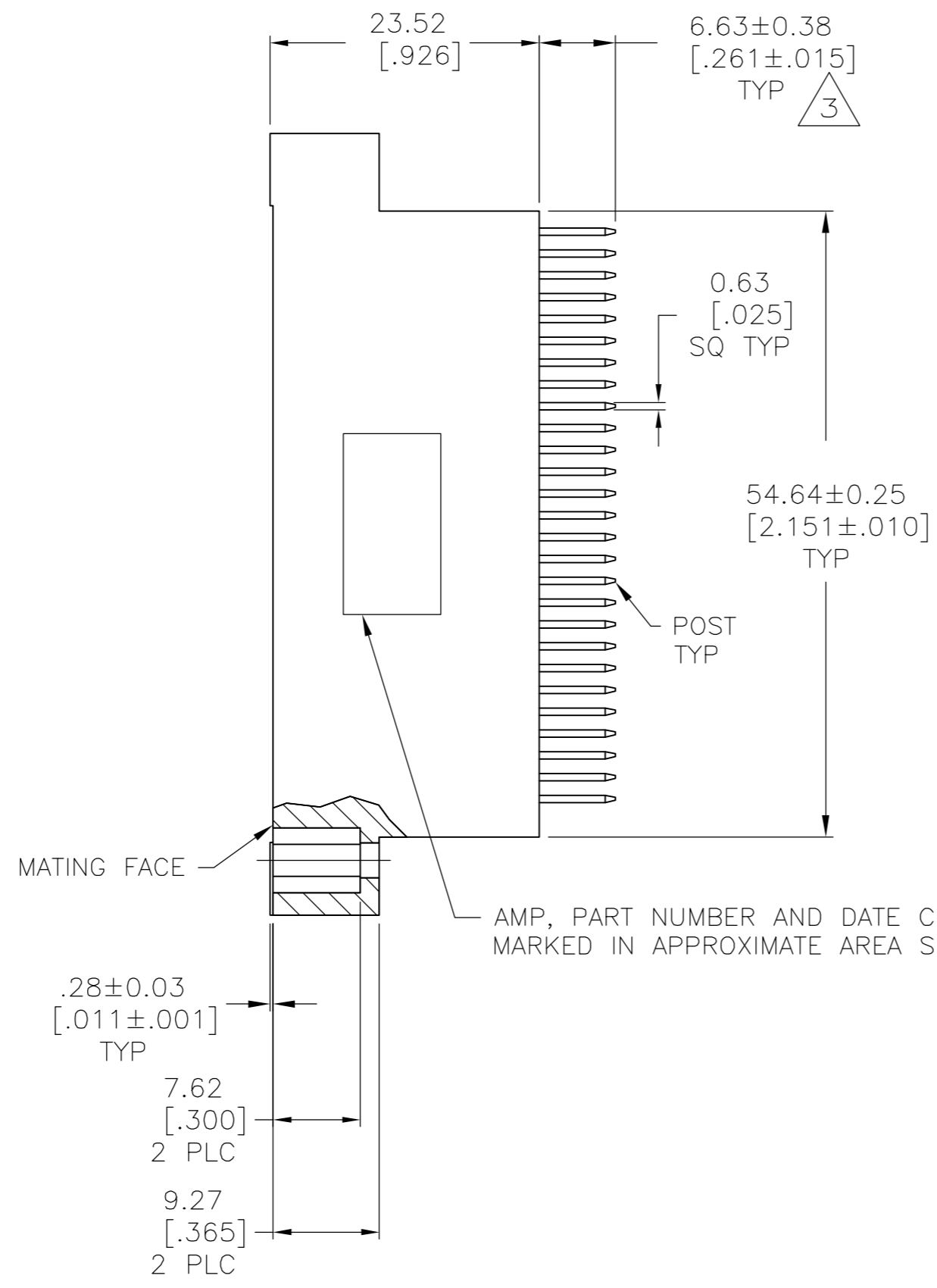
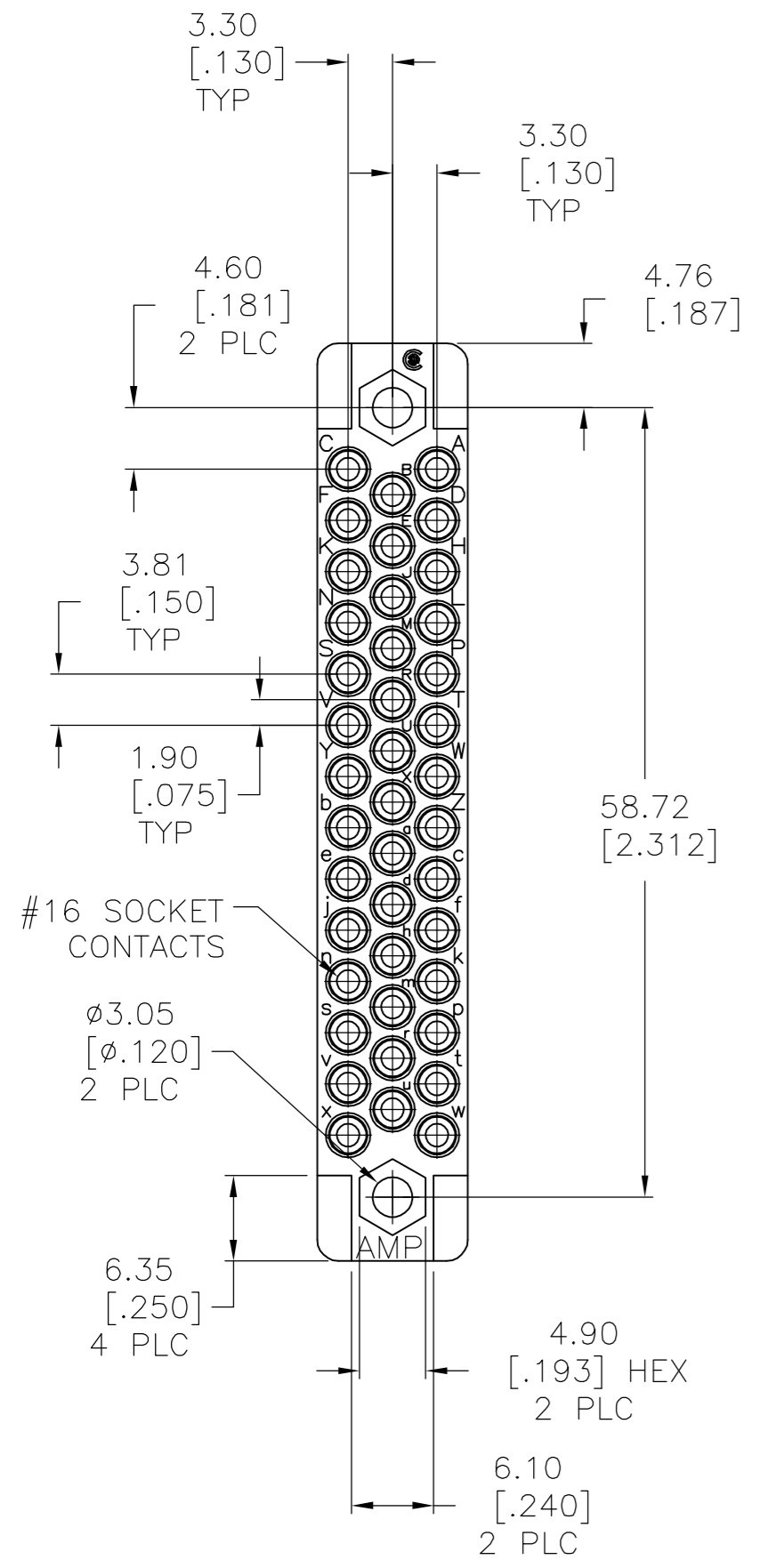


THIS DRAWING IS UNPUBLISHED. RELEASED FOR PUBLICATION
 © COPYRIGHT BY TYCO ELECTRONICS CORPORATION. ALL RIGHTS RESERVED.

LOC	DIST	REVISIONS					
FT	0	P	LTR	DESCRIPTION	DATE	DWN	APVD
		C1		REVISED PER ECO-06-5544	3/14/06	SS	GS



- 1 HOUSING: DIALLYL PHTHALATE, BLUE.
CONTACT BODY & POST: BRASS.
CONTACT SPRING: STAINLESS STEEL.
- 2 CONTACT BODY: 0.76um [.000030] MIN GOLD INTERNALLY FOR A LENGTH OF 5.08[.200] MIN FROM MATING END,
GOLD FLASH ON THE REMAINDER OVER 0.76um[.000030] MIN NICKEL.
CONTACT POST: 2.54um [.000100] MIN TIN-LEAD OVER 2.54um[.000100] MIN COPPER.
- 3 WHEN CONTACT IS FULLY SEATED FORWARD.
- 4 CONTACTS NOT LOADED IN MIDDLE ROW.
- 5 CONTACT BODY: 0.76um [.000030] MIN GOLD INTERNALLY FOR A LENGTH OF 5.08[.200] MIN FROM MATING END,
GOLD FLASH ON THE REMAINDER OVER 0.76um[.000030] MIN NICKEL.
CONTACT POST: 2.54um [.000100] MIN TIN OVER 2.54um[.000100] MIN COPPER.

THIS DRAWING IS A CONTROLLED DOCUMENT.		DWN	S	SCHLEGEL	5/15/02	 Tyco Electronics Corporation Harrisburg, PA 17105-3608
DIMENSIONS: mm [INCHES]		CHK	H.	SAID	5/15/02	
TOLERANCES UNLESS OTHERWISE SPECIFIED:		APVD	H.	SAID	5/15/02	
0 PLC ± -		PRODUCT SPEC	NAME			
1 PLC ± -		APPLICATION SPEC	RCPT. ASSEMBLY, 41 POSITION, POSTED, M SERIES			
2 PLC ± 0.13 [.005]		SIZE		CAGE CODE	DRAWING NO	RESTRICTED TO
3 PLC ± -		A2		00779	C=796885	-
4 PLC ± -		WEIGHT		-		-
4 PLC ANGLES ± -		CUSTOMER DRAWING		SCALE	2:1	SHEET 1 of 1
FINISH -		REV		C1		

796885