

High sensitivity, filtered accelerometer

799M

SPECIFICATIONS

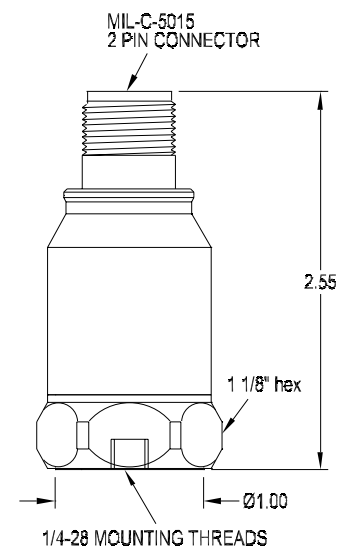
Sensitivity, ±5%, 25°C		1 V/g
Acceleration range		5 g peak
Amplitude nonlinearity		1%
Frequency response:	±5%	0.6 - 1,200 Hz
	±10%	0.4 - 1,600 Hz
	±3 dB	0.2 - 2,500 Hz
Resonance frequency		18 kHz
Transverse sensitivity, max		5% of axial
Temperature response:	-50°C	-7%
	+80°C	+5%
Power requirement:		
Voltage source		15 - 30 VDC
Current regulating diode		2 - 10 mA
Electrical noise, equiv. g:		
Spectral	0.1 Hz	15 µg
	1 Hz	3 µg/√Hz
	10 Hz	1 µg/√Hz
	100 Hz	1 µg/√Hz
Output impedance, max		400 Ω
Bias output voltage		8.0 VDC
Grounding		case isolated, internally shielded
Temperature range		-50° to +80°C
Vibration limit		250 g peak
Shock limit		5,000 g peak
Electromagnetic sensitivity, equiv. g		150 µg/gauss
Sealing		hermetic
Base strain sensitivity, max		0.0005 g/µstrain
Sensing element design		PZT, shear
Weight		205 grams
Case material		316L stainless steel
Mounting		1/4-28 tapped hole
Output connector		2 pin, MIL-5015 style
Mating connector		R6 type
Recommended cabling		J9T2A

Accessories supplied: SF6 mounting stud (metric mounting available; calibration data (level 3))



Key features

- High sensitivity, ultra low noise
- Manufactured in ISO 9001 facility



Note: Due to continuous process improvement, specifications are subject to change without notice.
This document is cleared for public release.

Connections	
Function	Connector pin
power/signal	A
common	B
ground	shell