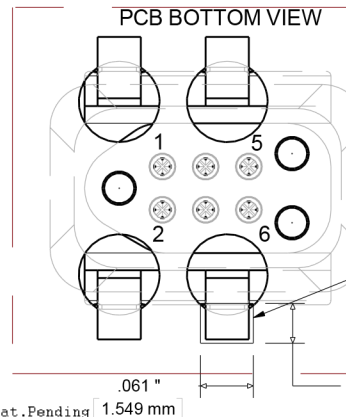
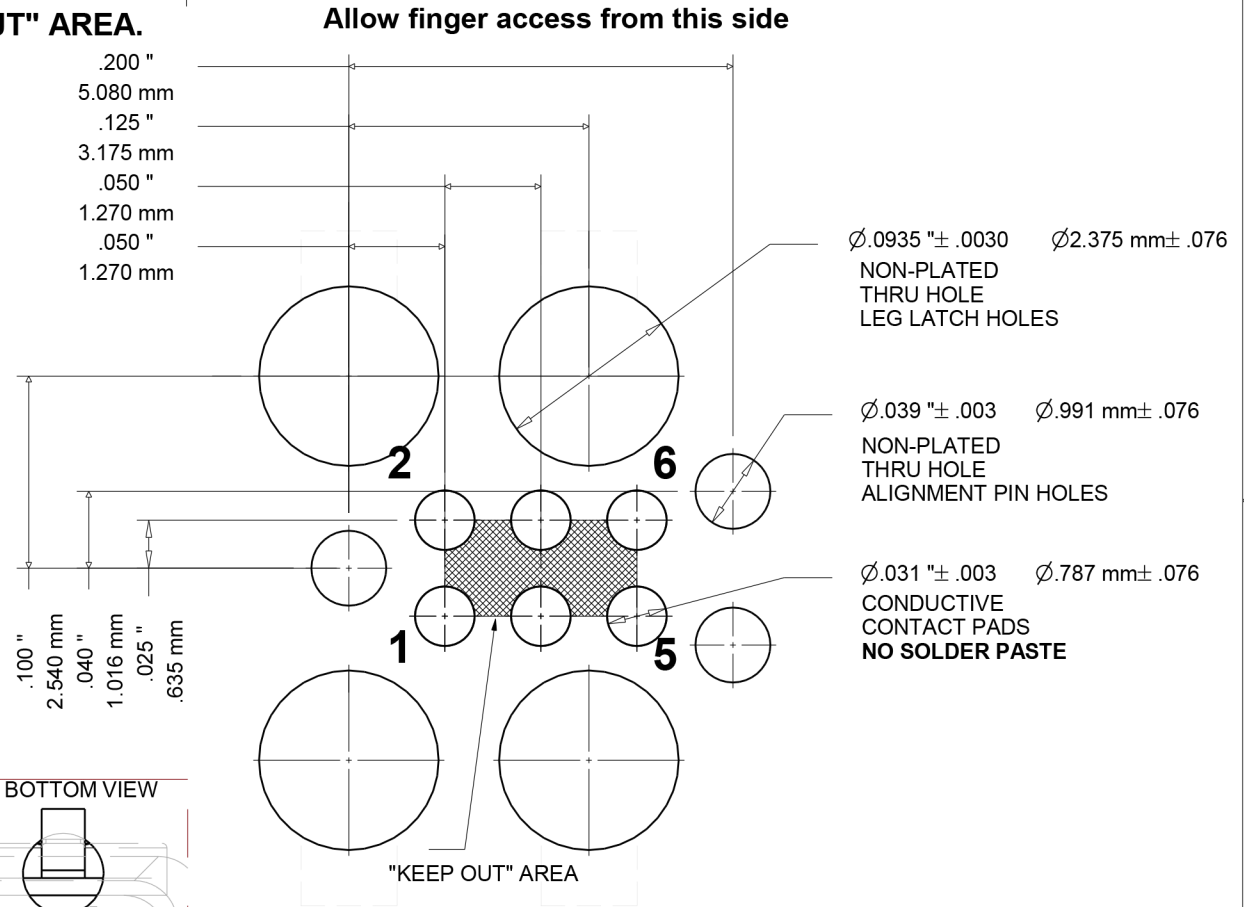


Notes:

1. Allow clearance for finger squeeze access from the two sides shown.
2. No tracks or vias in the shaded "KEEP OUT" AREA.
3. No other track or signal within .02" of any contact pad.
4. Do not allow solder paste on the contact pads. It is essential to eliminate any hole in the solder paste-mask (solder stencil) layer. If this is not possible make the contact pads thru-hole with a finished hole size of .008" or less.
5. Leg and alignment holes may be plated and used as vias but ensure minimum finished hole size meets specified tolerances.
6. To prevent purchasing confusion, please specify DNL in your BOM.
7. If using a proto-board fab that plates all through holes, make sure all holes are defined as plated in the footprint.

FOOTPRINT FOR J-LINK 6-Pin Needle Adapter

ZONE	REV	4/16/14	MS
------	-----	---------	----

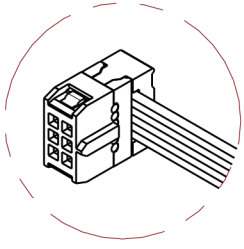
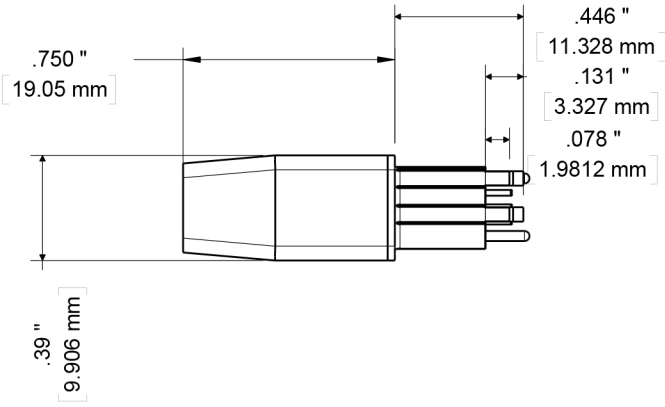


SIZE A	FSCM NO.	DWG NO. FOOTPRINT FOR 6-Pin Needle Adapter	REV A
SCALE	www.segger.com		SHEET 1 OF 3

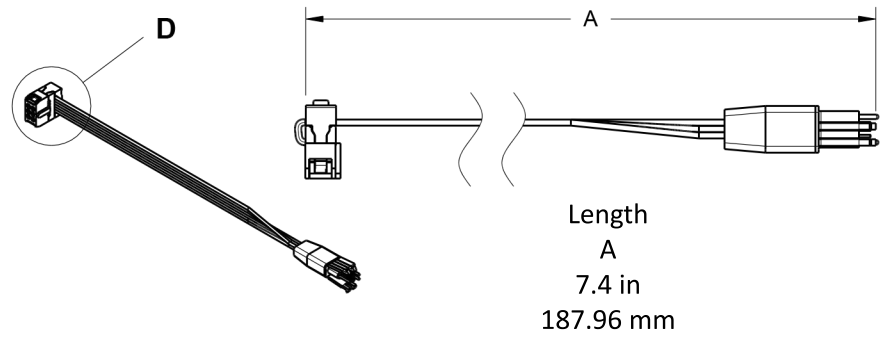
NOTE:
Dimensions subject to change

J-LINK 6-Pin Needle Adapter

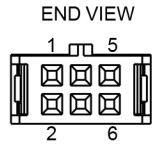
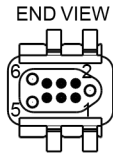
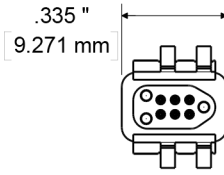
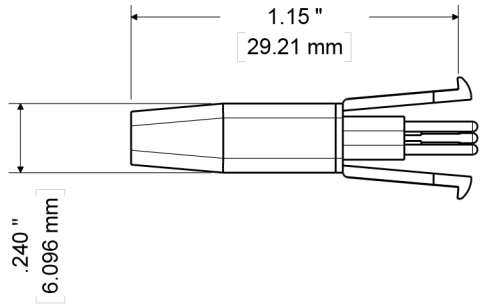
ZONE	A		4/16/14	MS
------	---	--	---------	----



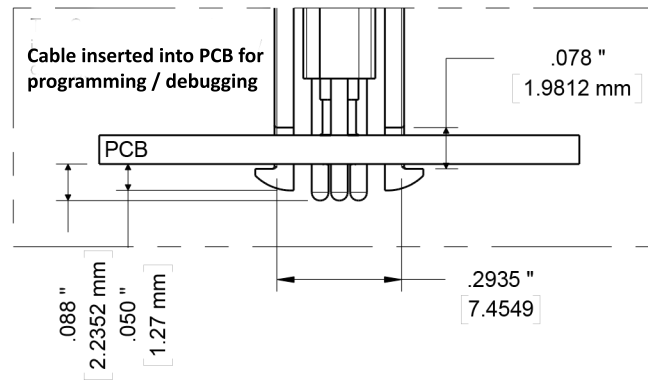
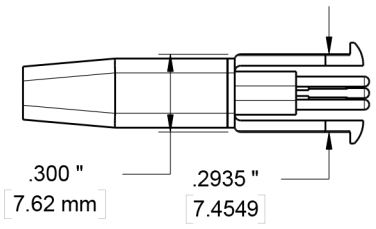
Detail D



Length
A
7.4 in
187.96 mm



TAG 6 PIN	IDC 6pin
1	1
2	2
3	3
4	4
5	5
6	6



SIZE A	FSCM NO.	DWG NO. 6-Pin Needle Adapter	REV A
SCALE	www.segger.com		SHEET 2 Of 3