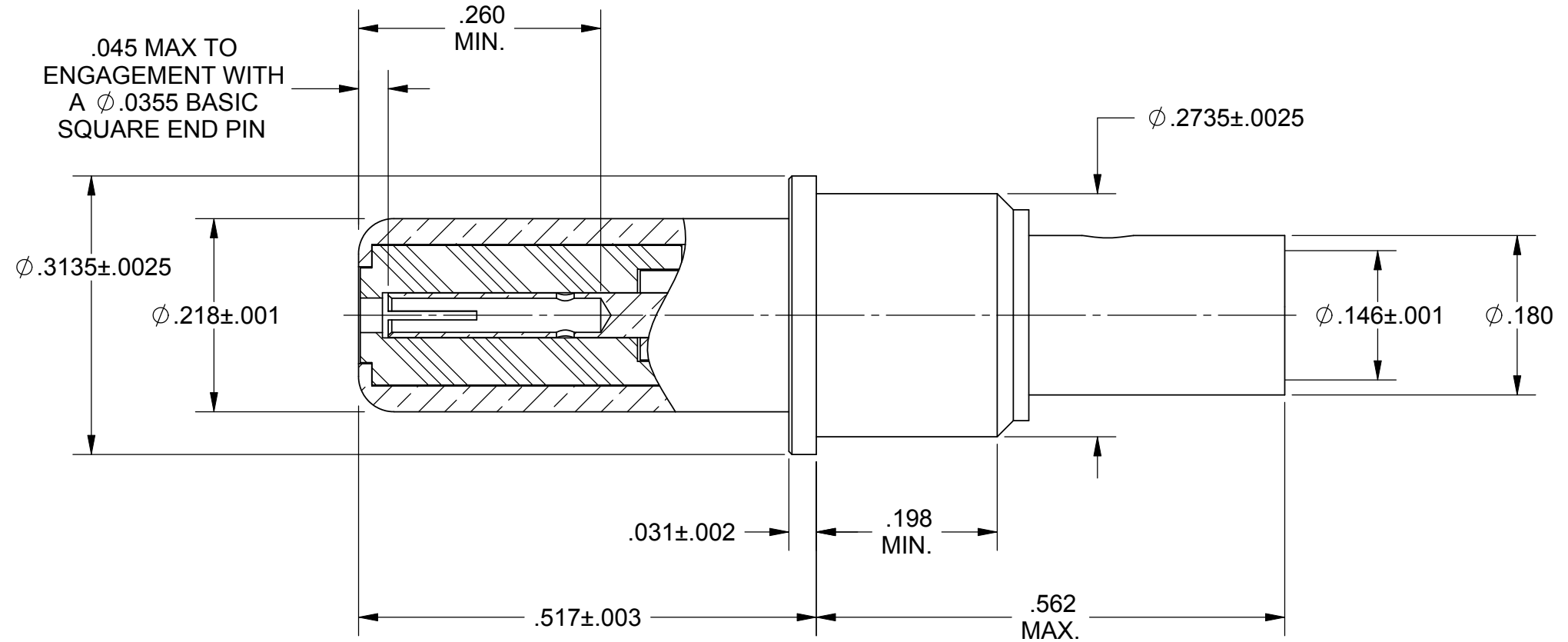


PRODUCT DATA DRAWING

REVISION HISTORY			
REV	DESCRIPTION	DATE	APPROVED
B	REV. DCN 32852	03/05	VMJ
C	REV.DCN 37675	07/26/10	STW



MATERIALS:

INSULATORS: PTFE PER ASTM D1710, TYPE 1, GRADE 1, CLASS B.

BODIES: BRASS PER ASTM B16, ALLOY UNS C36000, H02.

CONTACT: BERYLLIUM COPPER PER ASTM B196, ALLOY C17300, COND. TD04

SHRINK TUBING: POLYOLEFIN PER SAE AMS-DTL-23053/5-106-0

FINISHES:

BODIES & CONTACT: GOLD PER ASTM B488, TYPE II, GRADE C, CLASS 1.27 OVER NICKEL PER AMS-QQ-N-290 CLASS 1, .00005" MIN.

ELECTRICAL:

IMPEDANCE: 50 OHMS
 FREQ. RANGE: DC TO 3 GHz. (FREQUENCY IS LIMITED BY CABLE).
 INSUL. RES.: 5,000 MEGOHMS MIN.
 D.W.V: 1,000 VRMS MIN.
 VSWR: 1.20 + .04 X F IN GHz
 INSERTION LOSS: .11 X SQUARE ROOT OF F(GHz)

REF. AS39029/60 & MIL-DTL-38999 SERIES III

SV Microwave, Inc.

2400 Centrepark West Drive, Suite 100
 West Palm Beach, FL 33409

TITLE: **SIZE 8 PIN FOR TFLEX-402 CABLE**

SIZE **B** CAGE CODE **95077** DWG. NO. **8001-4101**

SCALE: 6:1 SHEET 1 OF 1

MATERIAL: SEE ABOVE	DIMENSIONS ARE IN INCHES TOLERANCES: FRACTIONAL: ±1/64 ANGULAR: X° ±1'0" X°X' ±15'	UNLESS OTHERWISE SPECIFIED 1) ALL DIMENSIONS ARE AFTER PLATING. 2) BREAK CORNERS & EDGES .005 R. MAX. 3) CHAM. 1ST & LAST THREADS. 4) SURFACE ROUGHNESS 63 √ MIL-STD-10. 5) DIA.'S ON COMMON CENTERS TO BE CONCENTRIC WITHIN .005 T.I.R. 6) REMOVE ALL BURRS
FINISH: SEE ABOVE	DECIMAL: .X ±.030 .XX ±.010 .XXX ±.005	
<p>PROPRIETARY</p> <p>THE INFORMATION CONTAINED IN THIS DRAWING IS THE SOLE PROPERTY OF SV MICROWAVE, INC. ANY REPRODUCTION IN PART OR AS A WHOLE WITHOUT THE WRITTEN PERMISSION OF SV MICROWAVE, INC IS PROHIBITED.</p>	INTERPRET DIMENSIONS AND TOLERANCES PER ASME Y14.5M - 1994	
	THIRD ANGLE PROJECTION	DRAWN: VMJ 11/19/04
		CHECKED: JMC 11/22/04
		APPROVED: JMC 11/22/04
		E.M. SIMULATION: N/A