

# PRODUCT DATA DRAWING

CAD GENERATED DRAWING	DCN CONTROLLED DOCUMENT	DWG. NO.  <span style="font-size: 1.2em;">8018-6173</span>
-----------------------------	-------------------------------	--

### MATERIAL:

BODY, PRESS CAP  
& COUPLING NUT: STAINLESS STEEL PER AMS-5640,  
UNS S30300, TYPE 1

CONTACT &  
LOCK RING: BERYLLIUM COPPER PER ASTM-B-196,  
ALLOY C17300, COND. TD04

INSULATOR: TEFLON PER ASTM-D-1457

GASKET: SILICONE RUBBER PER ZZ-R-765,  
CLASS II, GRADE 5-/60

RESISTOR: ALUMINA SUBSTRATE W/ NICHROME  
RESISTIVE MATERIAL

### FINISH:

BODY: GOLD PER MIL-G-45204, TYPE I,  
GRADE C, CLASS 0; OVER NICKEL  
PER QQ-N-290, CLASS 2

CONTACT: GOLD PER MIL-G-45204, TYPE I,  
GRADE C, CLASS 1; OVER NICKEL  
PER QQ-N-290, CLASS 2

COUPLING NUT  
& PRESS CAP: GOLD PER MIL-G-45204, TYPE I,  
GRADE C, CLASS 00; OVER NICKEL  
PER QQ-N-290, CLASS 1

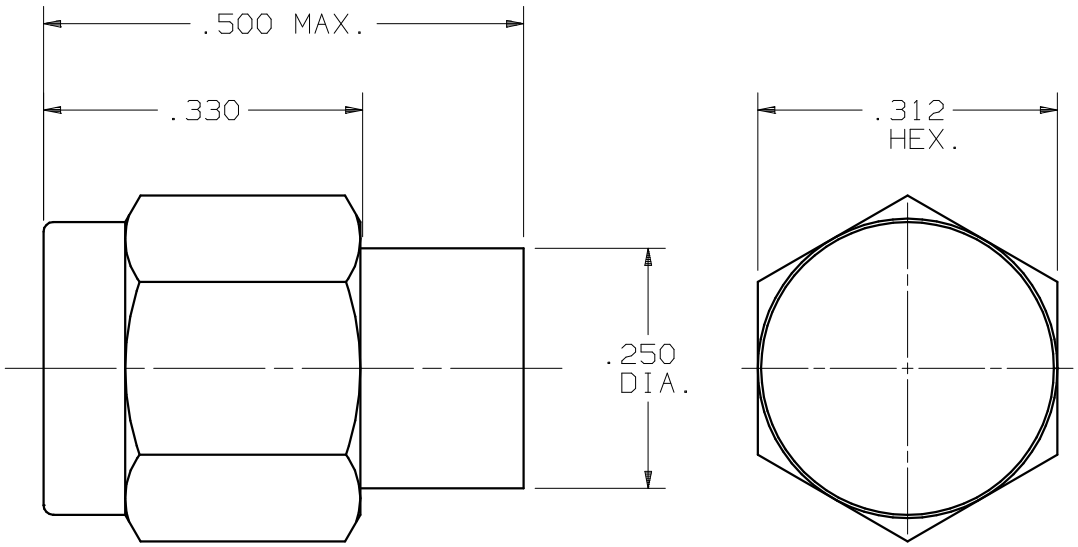
### PERFORMANCE:

IMPEDANCE: 50 OHMS

FREQ. RANGE: DC-18.0 GHz

VSWR: DC-4.0 GHz 1.10:1  
4.0-12.4 GHz 1.20:1  
12.4-18.0 GHz 1.30:1

POWER RATING: .5 WATT



SYM.	DESCRIPTION	DATE	APPR.	UNLESS OTHERWISE SPECIFIED: 1) ALL DIMENSIONS ARE AFTER PLATING. 2) BREAK CORNERS & EDGES .005 R. MAX. 3) CHAM. 1s† & LAST THDS. 4) SURFACE ROUGHNESS 63 J MIL-STD-10. 5) DIAS. ON COMMON CENTERS TO BE CONCENTRIC WITHIN .005 T.I.R. 6) REMOVE ALL BURRS.	DIMENSIONS ARE IN INCHES TOLERANCES:			<i>SV Microwave, Inc.</i> 2400 Centrepark West Drive, Suite 100 West Palm Beach, FL 33409	
-	REL. DCN 28693	08/02	SW		DECIMALS	FRACTIONAL	ANGULAR	TITLE:  <span style="font-size: 1.2em;">SMA PLUG TERMINATION</span>	
					.X ±.030	±1/64	X° ±1°0'		
					.XX ±.015		X°X' ±15'	DWG. NO.  <span style="font-size: 1.2em;">8018-6173</span>	
					.XXX ±.005				
				DRAWN: BRT 8/02/02	MATERIAL: SEE ABOVE			SCALE  N/A	
				CHECKED: STW 8/05/02	FINISH: SEE ABOVE		AREA: N/A		
				APPROVED: STW 8/05/02	SIZE	CAGE NO.	CAGE NO. <span style="font-size: 1.2em;">95077</span>		
					A				