

# Abox 025 – Polystyrene – 80 x 80 mm (3.15 x 3.15 in.)

## Standard Features

- **Protection Level:** IP65
- **Technical:** Self Sealing Soft Elastic Membranes  
Suitable for Metric Entry
- **Sealing Area:** M20 - 2 to 16mm
- **UL Recognized**
- **Enclosure Material:** Polystyrene
- **Gasket Material:** Polyurethane
- **Color:** Light Gray or White
- **Material**
- **Temperature Range:** Polystyrene  
-40°C to 70°C (-40°F to 158°F)
- **Accessories:** See section below



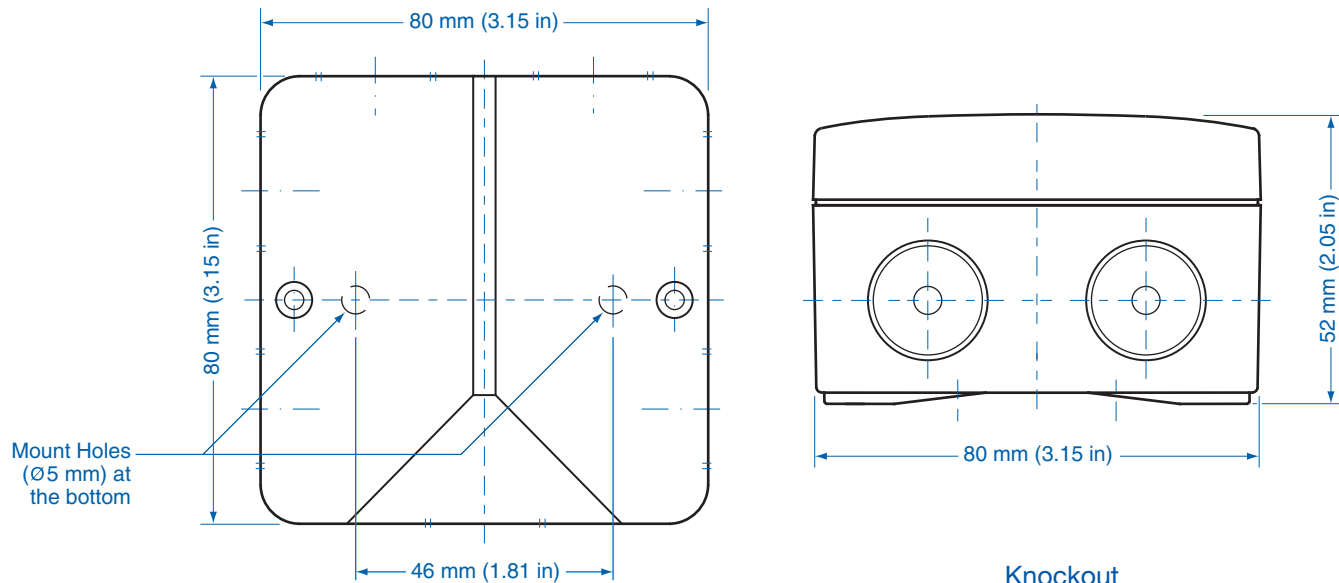
## Abox

Ordering Information	Cat. No.	Color	Terminal	Length	Dimensions mm (in) Width	Height	Std. Pk.
Enclosure with terminals	802-407	gray	2.5 mm <sup>2</sup> - 5 pole	80 mm (3.15 in)	80 mm (3.15 in)	52 mm (2.05 in)	3
Enclosure with terminals	802-107	white	2.5 mm <sup>2</sup> - 5 pole	80 mm (3.15 in)	80 mm (3.15 in)	52 mm (2.05 in)	3
Enclosure - empty	802-907	gray	NA	80 mm (3.15 in)	80 mm (3.15 in)	52 mm (2.05 in)	3
Enclosure - empty	802-607	white	NA	80 mm (3.15 in)	80 mm (3.15 in)	52 mm (2.05 in)	3

## Accessories

Ordering Information	Cat. No.	Type	Std. Pk.
Terminal (base mount)	840-004	2.5/4 mm <sup>2</sup> - 5 pole	10

Please refer to pages 149-152 for additional accessories and detailed information.



### Knockout Detail

