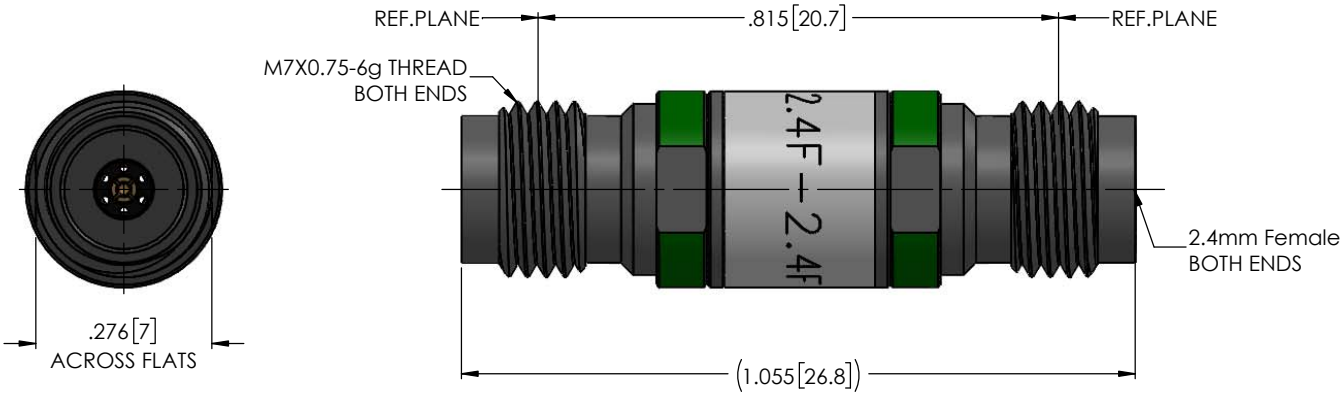


ALL DIMENSIONS IN BRACKETS ARE IN MM AND ARE FOR REFERENCE PURPOSE ONLY

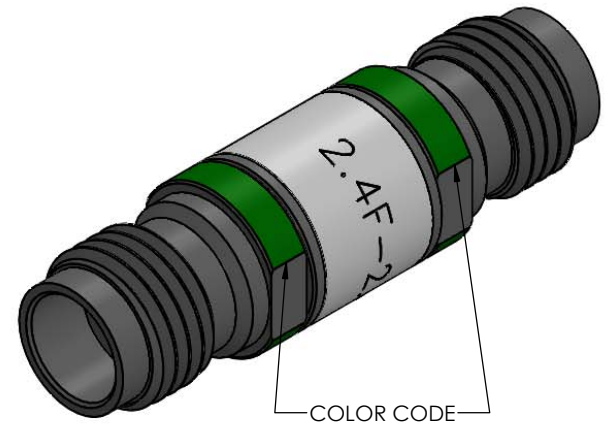
8028000K001-803-C



ELECTRICAL SPECIFICATIONS	
FREQUENCY RANGE	DC- 50GHz
VSWR	1.30 Max @ 50GHz
INSERTION LOSS	0.45dB Max@ 50GHz
WORKING VOLTAGE@SEA LEVEL	335 Vrms
DWV@SEA LEVEL	500 Vrms
INSULATION RESISTANCE	1000MΩ
MECHANICAL SPECIFICATIONS	
DURABILITY	500 CYCLES MIN
COUPLING NUT TORQUE - RECOMMENDED	7-10 IN.LBS[0.8 -1.1N.m]
CONTACT CAPTIVATION	≥4.5 LBS [20N]
ENVIRONMENTAL SPECIFICATIONS	
TEMP RANGE	-55° TO +125° C

NOTES:

- ASSEMBLED CONNECTOR INTERFACE IS DESIGNED IN ACCORDANCE WITH IEC 61169-40(2.4mm).



DESCRIPTION	MATERIAL	FINISH
INSULATOR - HIGH FREQUENCY	NORYL EN265, POLYPHENYLENE OXIDE (PPO), PER ASTM D-4349 PPE220B50541 F13 G1106	N/A
CONTACT - HIGH FREQUENCY	BERYLLIUM COPPER PER ASTM B196, C17300, TEMPER TD04	GOLD PLATE PER ASTM B488
BUSHING - HIGH FREQUENCY	BRASS PER ASTM B16, C36000 ALLOY, TEMPER H02	GOLD PLATE PER ASTM B488
BODY - HIGH FREQUENCY	CORROSION RESISTANT STEEL PER ASTM 582, S30300, COND. A	PASSIVATE PER SAE-AMS-2700

Table 1

PROPRIETARY AND CONFIDENTIAL  
THE INFORMATION CONTAINED IN THIS DRAWING IS THE SOLE PROPERTY OF DELTA ELECTRONICS (NANJING) CO.LTD. ANY REPRODUCTION IN PART OR AS A WHOLE WITHOUT THE WRITTEN PERMISSION OF DELTA ELECTRONICS (NANJING) CO.LTD. IS PROHIBITED.  
FILE NAME: 8028000K001-8031-C

UNLESS OTHERWISE SPECIFIED:		NAME	DATE	DELTA MICROWAVE ELECTRONICS (NANJING) CO., LTD	
DIMENSIONS ARE IN INCHES		DRAWN	VINCENT	8/18/2020	www.DeltaRF.com / Ph: 025-84195408/ Fax: 025-84195407
TOLERANCES:		CHECKED	JAMES	8/18/2020	
FRACTIONAL 1/64 ANGULAR: MACH 1° BBND 1° TWO PLACE DECIMAL .01 THREE PLACE DECIMAL .005 MAX CORNER BREAK = .005 MAX T.T.R. = .004 SURFACE FINISH = 63 or BETTER ☉ DENOTES CRITICAL DIMENSION		ENG APPR.	JAMES	8/18/2020	
THIRD ANGLE PROJECTION		COMMENTS:		TITLE: 2.4mm FEMALE To 2.4mm FEMALE STRAIGHT ADAPTER	
MATERIAL	SEE TABLE			SIZE	DWG. NO.
FINISH	SEE TABLE			<b>B</b>	8028000K001-803-C
SCALE:				REV	-
				CODE ID - 00795	WEIGHT: 6.29 g
				SHEET 1 OF 1	