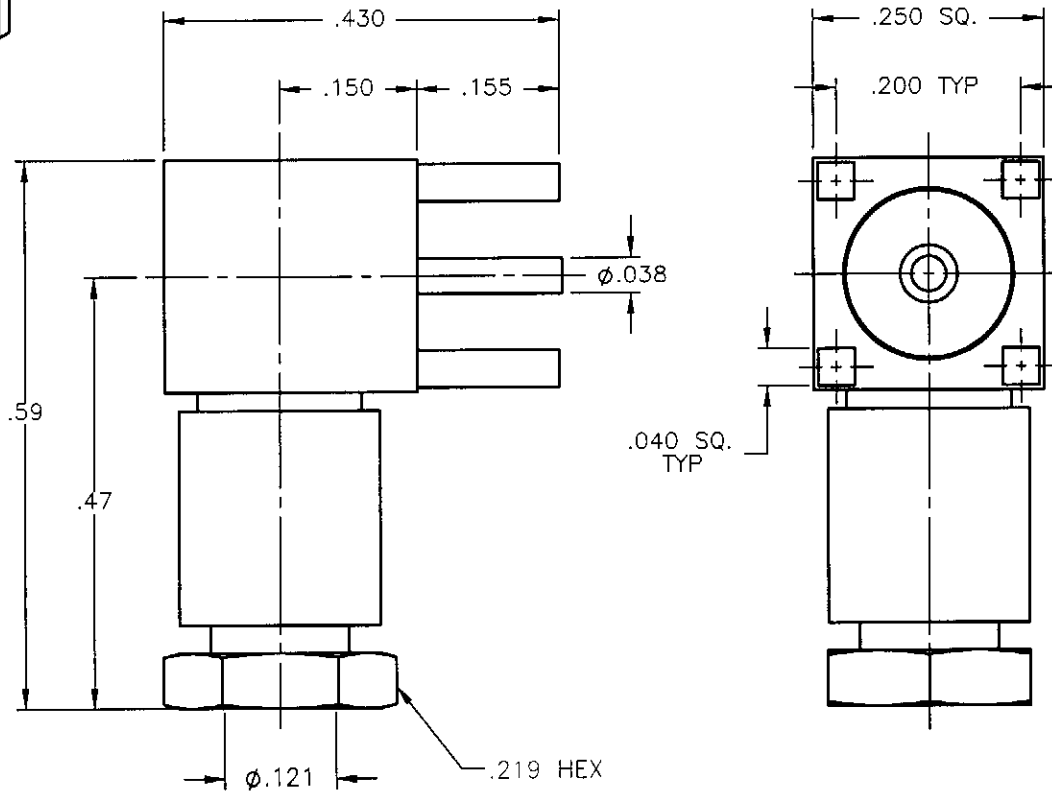


REVISIONS			
REV.	DESCRIPTION	DATE	APPROVED
A	INITIAL RELEASE	11/19/08	M.J.



NOTES:


MATERIALS:

1. INSULATOR = VIRGIN WHITE TEFLON PER ASTM D1710, GRADE 1, TYPE I, CLASS "B".
2. ALL OTHER METAL PARTS = BRASS PER ASTM B16, ALLOY C36000, TEMPER H02.

FINISHES:

1. CONTACT = GOLD PLATE PER MIL-G-45204, TYPE II, CLASS 1, GRADE C, OVER .00010 TO .00020 STRESS FREE SULFAMATE NICKEL PER QQ-N-290.
2. ALL OTHER METAL PARTS = GOLD PLATE PER MIL-G-45204, TYPE II, CLASS 0, GRADE C, OVER .00010 TO .00020 COPPER STRIKE PER MIL-C-14550.

Property of Radiall Incorporated
 This document cannot be reproduced or
 communicated to a third party without prior
 written permission of RADIALL Incorporated.

UNLESS OTHERWISE SPECIFIED DIMENSIONS ARE IN INCHES TOLERANCES ON		DWN:	DATE	 APPLIED ENGINEERING PRODUCTS 104 John W. Murphy Dr. New Haven, CT 06513 <i>a RADIALL company</i>			
		M.J.	11/19/08				
DECIMAL	ANGLE	CHKD:	DATE	RIGHT ANGLE CABLE TERMINATION P.C.B. MOUNT CLAMP TYPE FOR RG-316 & SIMILAR CABLES			
		D.N.	11/19/08				
REFERENCE:		APVD:	DATE	SIZE	FSCM NO.	DWG NO.	REV
		J.M.	11/19/08	A	19505	8045-1551-003	A
ORIGINATED: M.J. DATE: 11/19/08		MATERIALS & FINISHES: SEE NOTES		SCALE 5:1		THIRD ANGLE PROJECTION	SHEET 1 OF 1

8045-1551-003