

BOS-Streamline



Detailed product information
can be found on
www.bopla.de



- 6 basic sizes
- 2 colours
- Flat or inclined design by turning the enclosure half-shells
- Lid optionally with display screen (DIS) or continuous membrane area (F)
- Versions with or without battery compartment
- Optional impact protection/decor seal in 5 colours

Colour:

Graphite grey, similar to RAL 7024 or light grey, similar to RAL 7035; special colours on request

Protection class:

Up to IP 65/DIN EN 60529, depending on the model

Enclosure material:

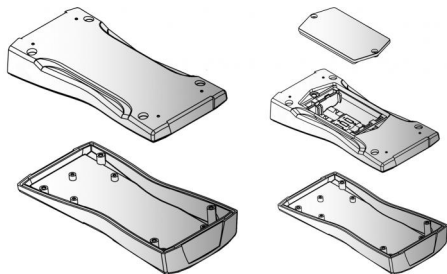
ABS, decor seal made of TPE; for details see Technical Information



BOPLA

A Phoenix Mecano Company

Ergonomic ABS hand-held enclosure with optional impact protection seal

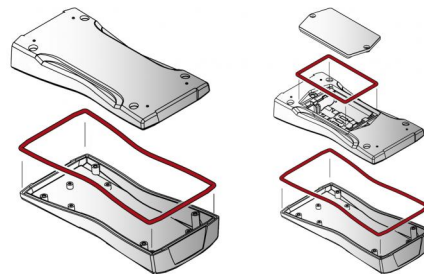


BS.00

BS.01

BS .00: without battery compartment, IP 40

BS .01: with battery compartment, IP 40

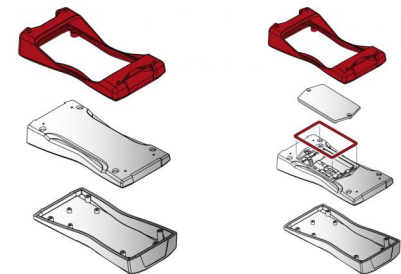


BS.02

BS.04

BS .02: without battery compartment, IP 65

BS. 04: with battery compartment, IP 65



BS.00

BS.03

BS .00: without battery compartment, with additional decor seal IP 65 (except for BS 200, IP 54)

BS .03: with battery compartment, with additional decor seal IP 65



Turning the lid by 180° against the base allows the forming of profile variants.



All enclosures have a recessed membrane keypad surface.



Some versions are also equipped with a display cut-out and/or a battery compartment.



BS 2..F: Fitted as standard with a loop for attaching a lanyard. All other sizes can be retrofitted.



Silver edition



Optional decor seal ensures a high level of protection. Protects the enclosure if it is dropped. Offers colour design options.

BOS-Streamline 2..F | with continuous membrane keypad area

BS 200 F, IP 40 (IP 54), with loop for attaching lanyard



Model	Order no.	A	B	C	Colour
BS 200 F-7024	82200124	79.4	44.1	22.2	Graphite grey
BS 200 F-7035	82200135	79.4	44.1	22.2	Light grey

Scope Of Delivery: Lid and base, 1 screw

Notes: Upgradable to IP 54 by fitting DI-D.

BS 202 F, IP 54, with loop for attaching lanyard



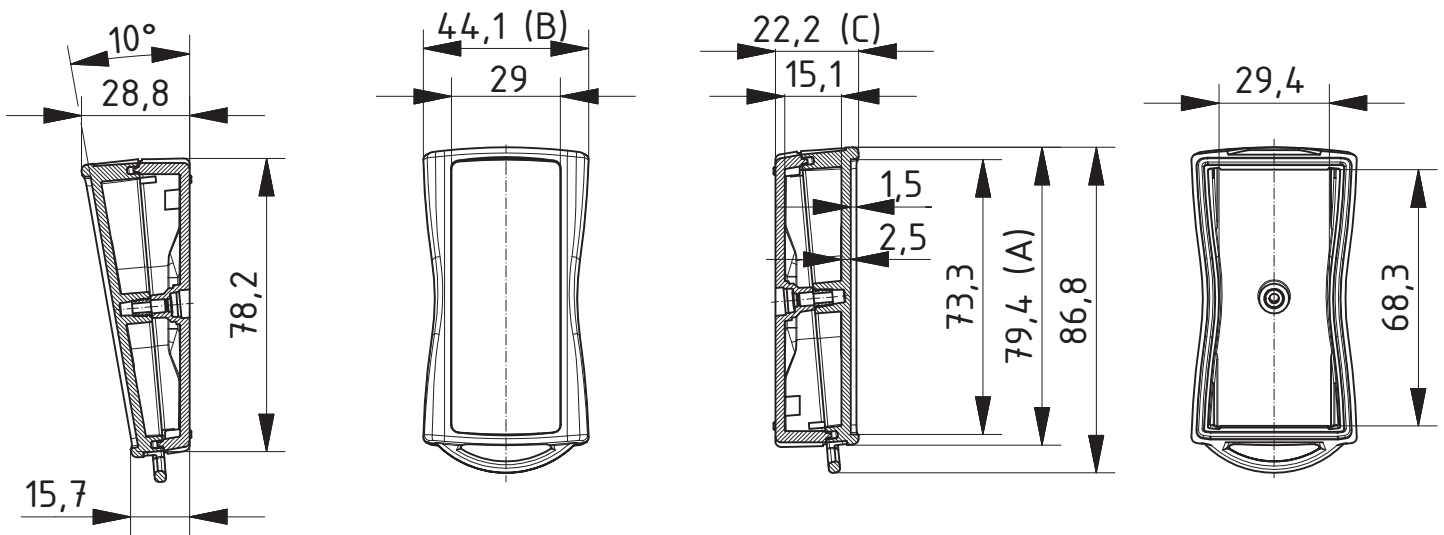
Model	Order no.	A	B	C	Colour
BS 202 F-7024	82202124	79.4	44.1	22.2	Graphite grey
BS 202 F-7035	82202135	79.4	44.1	22.2	Light grey

Scope Of Delivery: Lid and base including seal, 1 screw



BOPLA

A Phoenix Mecano Company



Z-2803266

BOS-Streamline 4..F | with continuous membrane keypad area

BS 400 F without battery compartment, IP 40 (IP 65)



Model	Order no.	A	B	C	Colour
BS 400 F-7024	82400124	119.3	64.9	26.5	Graphite grey
BS 400 F-7035	82400135	119.3	64.9	26.5	Light grey

Scope Of Delivery: Lid and base, 4 screws

Notes: * = Available on request. Upgradable to IP 65 by fitting DI-D.

BS 402 F without battery compartment, IP 65



Model	Order no.	A	B	C	Colour
BS 402 F-7024	82402124	119.3	64.9	26.5	Graphite grey
BS 402 F-7035	82402135	119.3	64.9	26.5	Light grey

Scope Of Delivery: Lid and base including seal, 4 screws

BS 401 with compartment for 3 micro (AAA) batteries, IP 40



Model	Order no.	A	B	C	Colour
BS 401 F-7024	82401124	119.3	64.9	26.5	Graphite grey
BS 401 F-7035	82401135	119.3	64.9	26.5	Light grey

Scope Of Delivery: Lid and base, 4 screws, battery compartment lid, screws, battery contacts

BS 403 F with compartment for 3 micro (AAA) batteries, IP 40 (IP 65)



Model	Order no.	A	B	C	Colour
BS 403 F-7024	82403124	119.3	64.9	26.5	Graphite grey
BS 403 F-7035	82403135	119.3	64.9	26.5	Light grey

Scope Of Delivery: Lid and base, 4 screws, battery compartment lid, battery compartment seal, screws, battery contacts

Notes: * = Available on request. Upgradable to IP 65 by fitting DI-D.

BS 404 F with compartment for 3 micro (AAA) batteries, IP 65



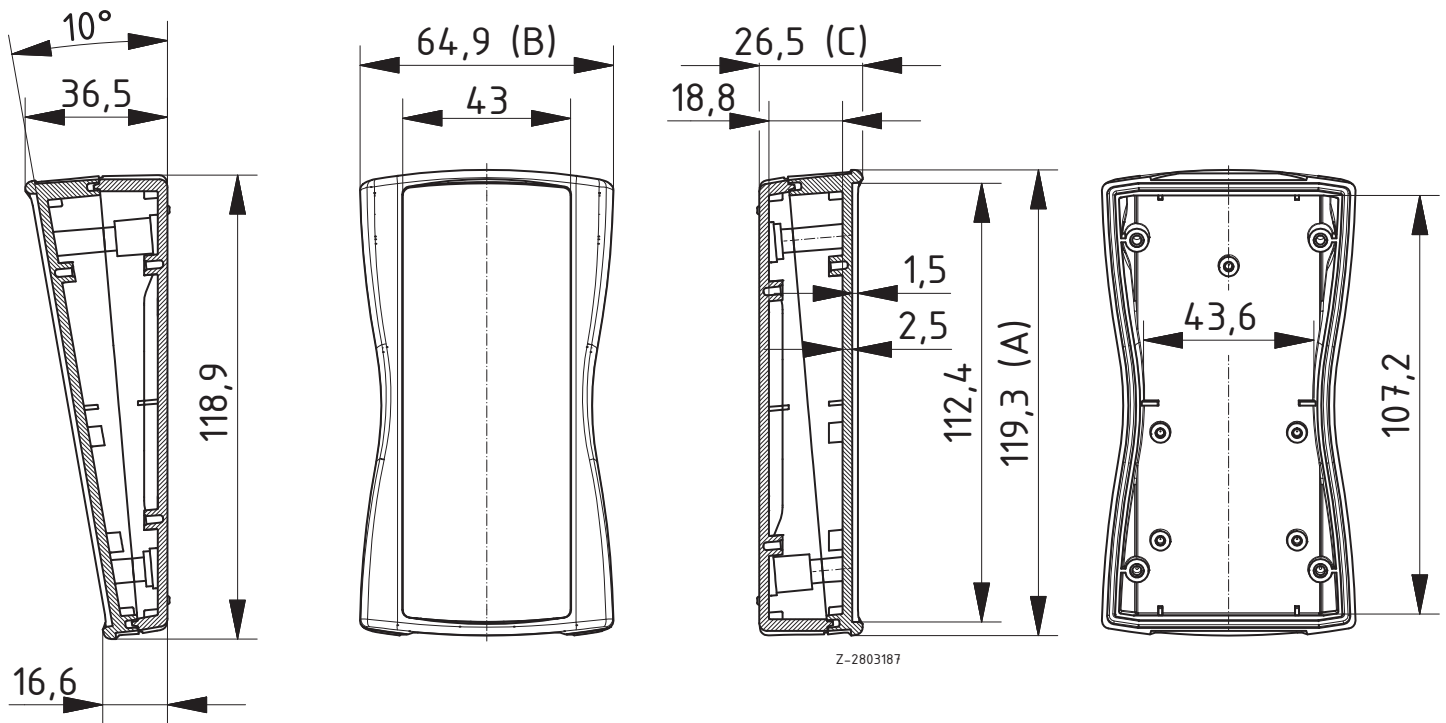
Model	Order no.	A	B	C	Colour
BS 404 F-7024	82404124	119.3	64.9	26.5	Graphite grey
BS 404 F-7035	82404135	119.3	64.9	26.5	Light grey

Scope Of Delivery: Lid and base including seal, 4 screws, battery compartment lid, battery compartment seal, screws, battery contacts



BOPLA

A Phoenix Mecano Company



BOS-Streamline 4..DIS | with display screen and membrane keypad area

BS 400 DIS without battery compartment, IP 40 (IP 65)



Model	Order no.	A	B	C	Colour
BS 400 DIS-7024	82400224	119.3	64.9	26.5	Graphite grey
BS 400 DIS-7035	82400235	119.3	64.9	26.5	Light grey

Scope Of Delivery: Lid and base, display screen, adhesive film, 4 screws

Notes: * = Available on request. Upgradable to IP 65 by fitting DI-D.

BS 402 DIS without battery compartment, IP 65



Model	Order no.	A	B	C	Colour
BS 402 DIS-7024	82402224	119.3	64.9	26.5	Graphite grey
BS 402 DIS-7035	82402235	119.3	64.9	26.5	Light grey

Scope Of Delivery: Lid and base including seal, display screen, adhesive film, 4 screws

BS 401 DIS with compartment for 3 micro (AAA) batteries, IP 40



Model	Order no.	A	B	C	Colour
BS 401 DIS-7024	82401224	119.3	64.9	26.5	Graphite grey
BS 401 DIS-7035	82401235	119.3	64.9	26.5	Light grey

Scope Of Delivery: Lid and base, display screen, adhesive film, 4 screws, battery compartment lid, screws, battery contacts

BS 403 DIS with compartment for 3 micro (AAA) batteries, IP 40 (IP 65)



Model	Order no.	A	B	C	Colour
BS 403 DIS-7024	82403224	119.3	64.9	26.5	Graphite grey
BS 403 DIS-7035	82403235	119.3	64.9	26.5	Light grey

Scope Of Delivery: Lid and base, display screen, adhesive film, 4 screws, battery compartment lid, battery compartment seal, screws, battery contacts

Notes: * = Available on request. Upgradable to IP 65 by fitting DI-D.

BS 404 DIS with compartment for 3 micro (AAA) batteries, IP 65



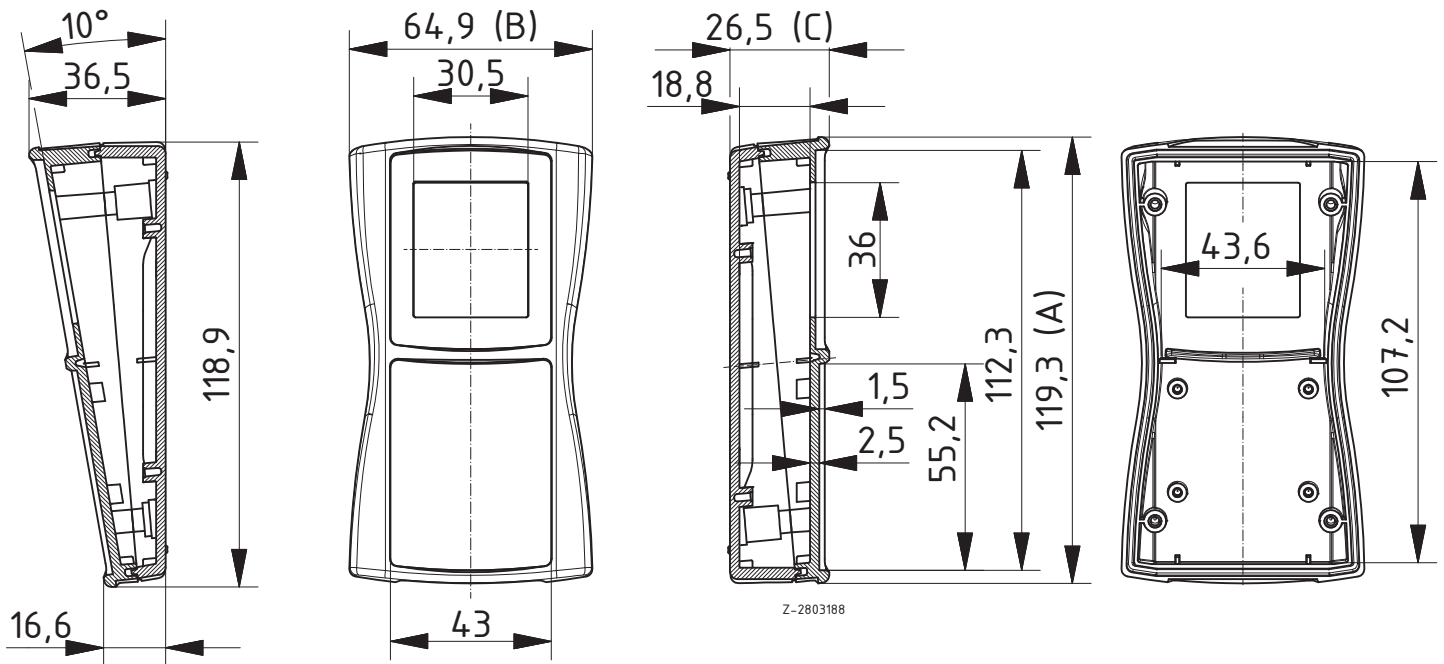
Model	Order no.	A	B	C	Colour
BS 404 DIS-7024	82404224	119.3	64.9	26.5	Graphite grey
BS 404 DIS-7035	82404235	119.3	64.9	26.5	Light grey

Scope Of Delivery: Lid and base including seal, display screen, adhesive film, 4 screws, battery compartment lid, battery compartment seal, screws, battery contacts



BOPLA

A Phoenix Mecano Company



BOS-Streamline 5..F | with continuous membrane keypad area

BS 500 F without battery compartment, IP 40 (IP 65)



Model	Order no.	A	B	C	Colour
BS 500 F-7024	82500124	140.3	72.9	31.3	Graphite grey
BS 500 F-7035	82500135	140.3	72.9	31.3	Light grey

Scope Of Delivery: Lid and base, 4 screws

Notes: * = Available on request. Upgradable to IP 65 by fitting DI-D.

BS 502 F without battery compartment, IP 65



Model	Order no.	A	B	C	Colour
BS 502 F-7024	82502124	140.3	72.9	31.3	Graphite grey
BS 502 F-7035	82502135	140.3	72.9	31.3	Light grey

Scope Of Delivery: Lid and base including seal, 4 screws

BS 501 F with compartment for 3 micro (AAA) batteries, IP 40



Model	Order no.	A	B	C	Colour
BS 501 F-7024	82501124	140.3	72.9	31.3	Graphite grey
BS 501 F-7035	82501135	140.3	72.9	31.3	Light grey

Scope Of Delivery: Lid and base, 4 screws, battery compartment lid, screws, battery contacts

BS 503 F with compartment for 3 micro (AAA) batteries, IP 40 (IP 65)



Model	Order no.	A	B	C	Colour
BS 503 F-7024	82503124	140.3	72.9	31.3	Graphite grey
BS 503 F-7035	82503135	140.3	72.9	31.3	Light grey

Scope Of Delivery: Lid and base, 4 screws, battery compartment lid, battery compartment seal, screws, battery contacts

Notes: * = Available on request. Upgradable to IP 65 by fitting DI-D.

BS 504 F with compartment for 3 micro (AAA) batteries, IP 65



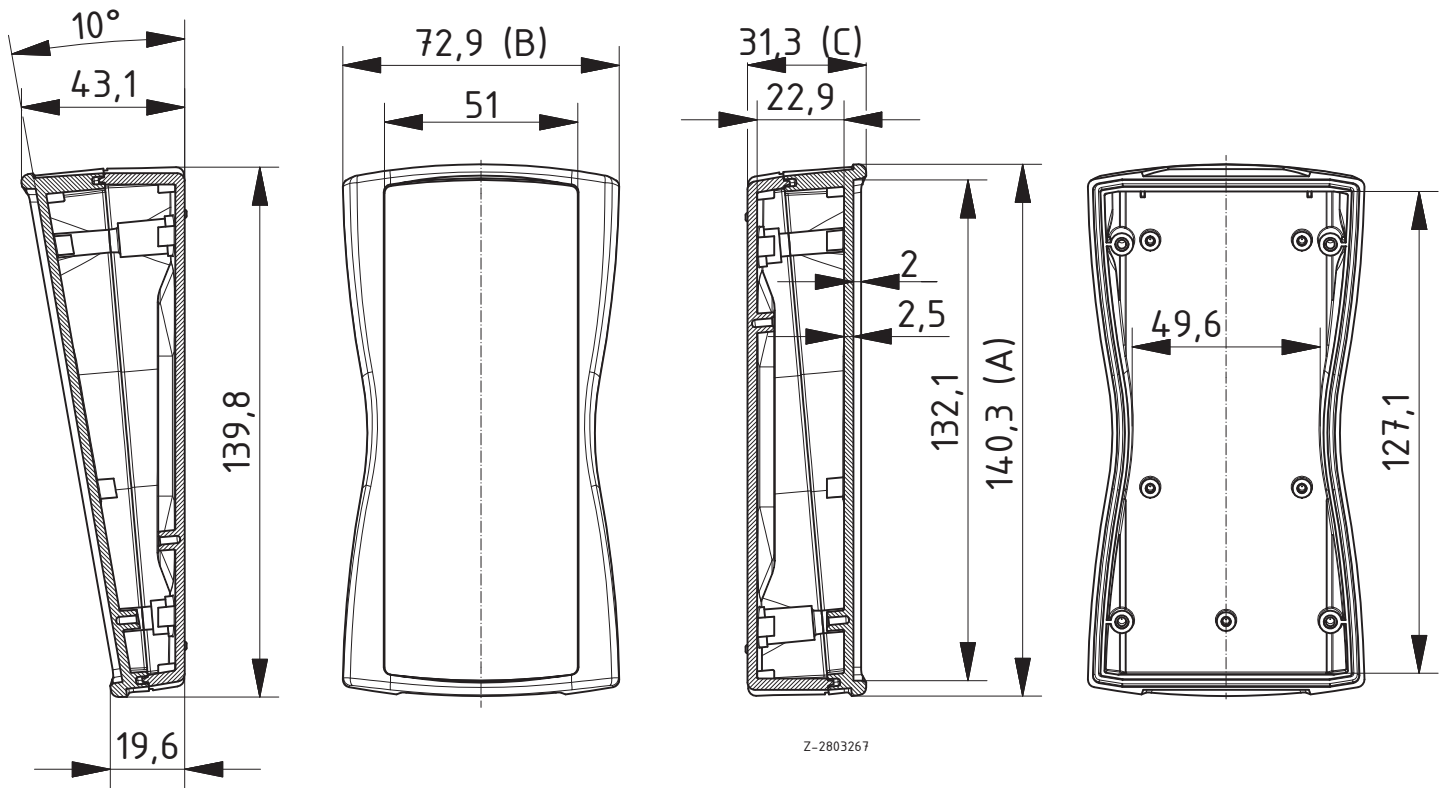
Model	Order no.	A	B	C	Colour
BS 504 F-7024	82504124	140.3	72.9	31.3	Graphite grey
BS 504 F-7035	82504135	140.3	72.9	31.3	Light grey

Scope Of Delivery: Lid and base including seal, 4 screws, battery compartment lid, battery compartment seal, screws, battery contacts



BOPLA

A Phoenix Mecano Company



BOS-Streamline 5..DIS | with display screen and membrane keypad area



BS 500 DIS without battery compartment, IP 40 (IP 65)

Model	Order no.	A	B	C	Colour
BS 500 DIS-7024	82500224	140.3	72.9	31.3	Graphite grey
BS 500 DIS-7035	82500235	140.3	72.9	31.3	Light grey

Scope Of Delivery: Lid and base, display screen, adhesive film, 4 screws

Notes: * = Available on request. Upgradable to IP 65 by fitting DI-D.



BS 502 DIS without battery compartment, IP 65

Model	Order no.	A	B	C	Colour
BS 502 DIS-7024	82502224	140.3	72.9	31.3	Graphite grey
BS 502 DIS-7035	82502235	140.3	72.9	31.3	Light grey

Scope Of Delivery: Lid and base including seal, display screen, adhesive film, 4 screws



BS 501 DIS with compartment for 3 micro (AAA) batteries, IP 40

Model	Order no.	A	B	C	Colour
BS 501 DIS-7024	82501224	140.3	72.9	31.3	Graphite grey
BS 501 DIS-7035	82501235	140.3	72.9	31.3	Light grey

Scope Of Delivery: Lid and base, display screen, adhesive film, 4 screws, battery compartment lid, screws, battery contacts



BS 503 DIS with compartment for 3 micro (AAA) batteries, IP 40 (IP 65)

Model	Order no.	A	B	C	Colour
BS 503 DIS-7024	82503224	140.3	72.9	31.3	Graphite grey
BS 503 DIS-7035	82503235	140.3	72.9	31.3	Light grey

Scope Of Delivery: Lid and base, display screen, adhesive film, 4 screws, battery compartment lid, battery compartment seal, screws, battery contacts

Notes: * = Available on request. Upgradable to IP 65 by fitting DI-D.



BS 504 DIS with compartment for 3 micro (AAA) batteries, IP 65

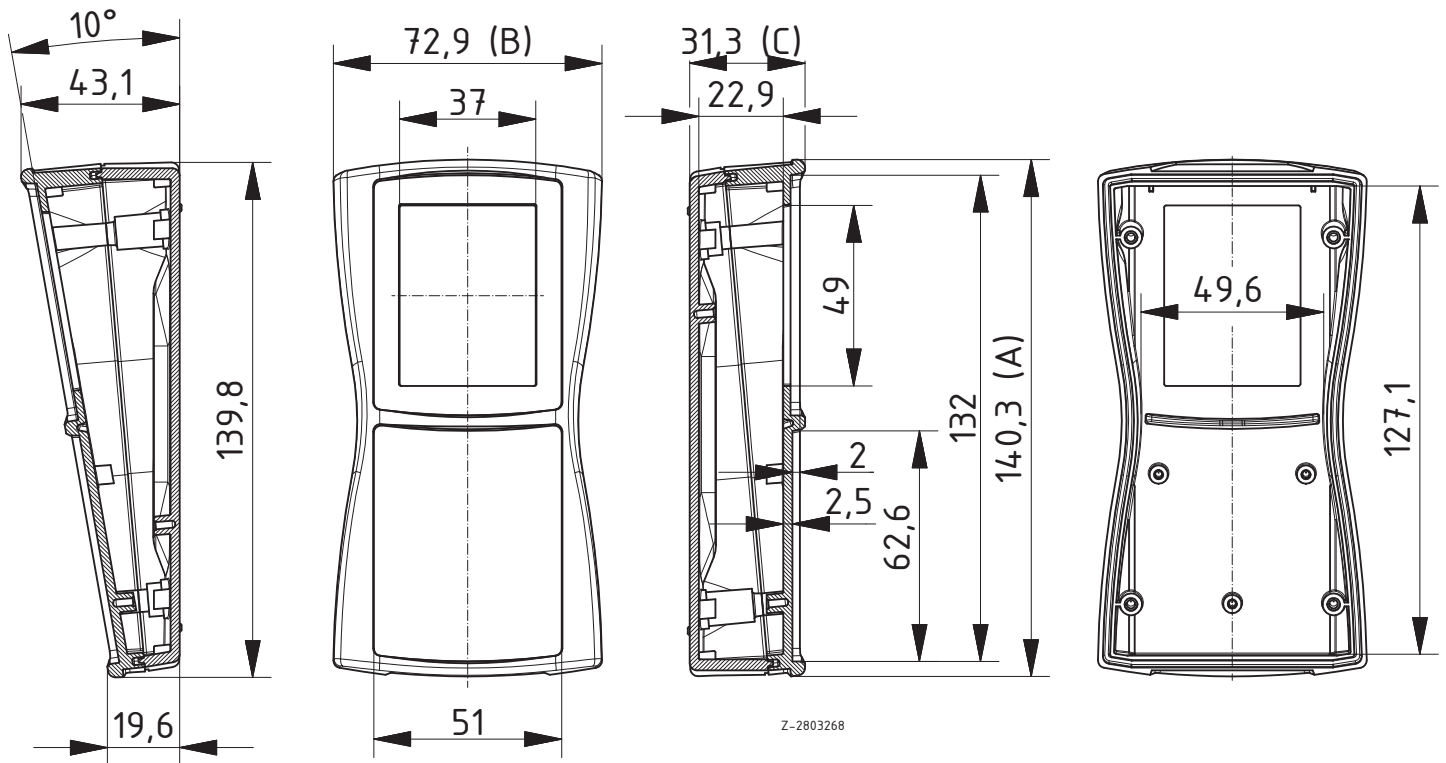
Model	Order no.	A	B	C	Colour
BS 504 DIS-7024	82504224	140.3	72.9	31.3	Graphite grey
BS 504 DIS-7035	82504235	140.3	72.9	31.3	Light grey

Scope Of Delivery: Lid and base including seal, display screen, adhesive film, 4 screws, battery compartment lid, battery compartment seal, screws, battery contacts



BOPLA

A Phoenix Mecano Company



BOS-Streamline 6..F | with continuous membrane keypad area

BS 600 F without battery compartment, IP 40 (IP 65)



Model	Order no.	A	B	C	Colour
BS 600 F-7024	82600124	159.4	77.9	33.5	Graphite grey
BS 600 F-7035	82600135	159.4	77.9	33.5	Light grey

Scope Of Delivery: Lid and base, 4 screws

Notes: * = Available on request. Upgradable to IP 65 by fitting DI-D.

BS 602 F without battery compartment, IP 65



Model	Order no.	A	B	C	Colour
BS 602 F-7024	82602124	159.4	77.9	33.5	Graphite grey
BS 602 F-7035	82602135	159.4	77.9	33.5	Light grey

Scope Of Delivery: Lid and base including seal, 4 screws

BS 601 F with compartment for 3 mignon (AA) batteries, IP 40



Model	Order no.	A	B	C	Colour
BS 601 F-7024	82601124	159.4	77.9	33.5	Graphite grey
BS 601 F-7035	82601135	159.4	77.9	33.5	Light grey

Scope Of Delivery: Lid and base, 4 screws, battery compartment lid, screws, battery contacts

BS 603 F with compartment for 3 mignon (AA) batteries, IP 40 (IP 65)



Model	Order no.	A	B	C	Colour
BS 603 F-7024	82603124	159.4	77.9	33.5	Graphite grey
BS 603 F-7035	82603135	159.4	77.9	33.5	Light grey

Scope Of Delivery: Lid and base, 4 screws, battery compartment lid, battery compartment seal, screws, battery contacts

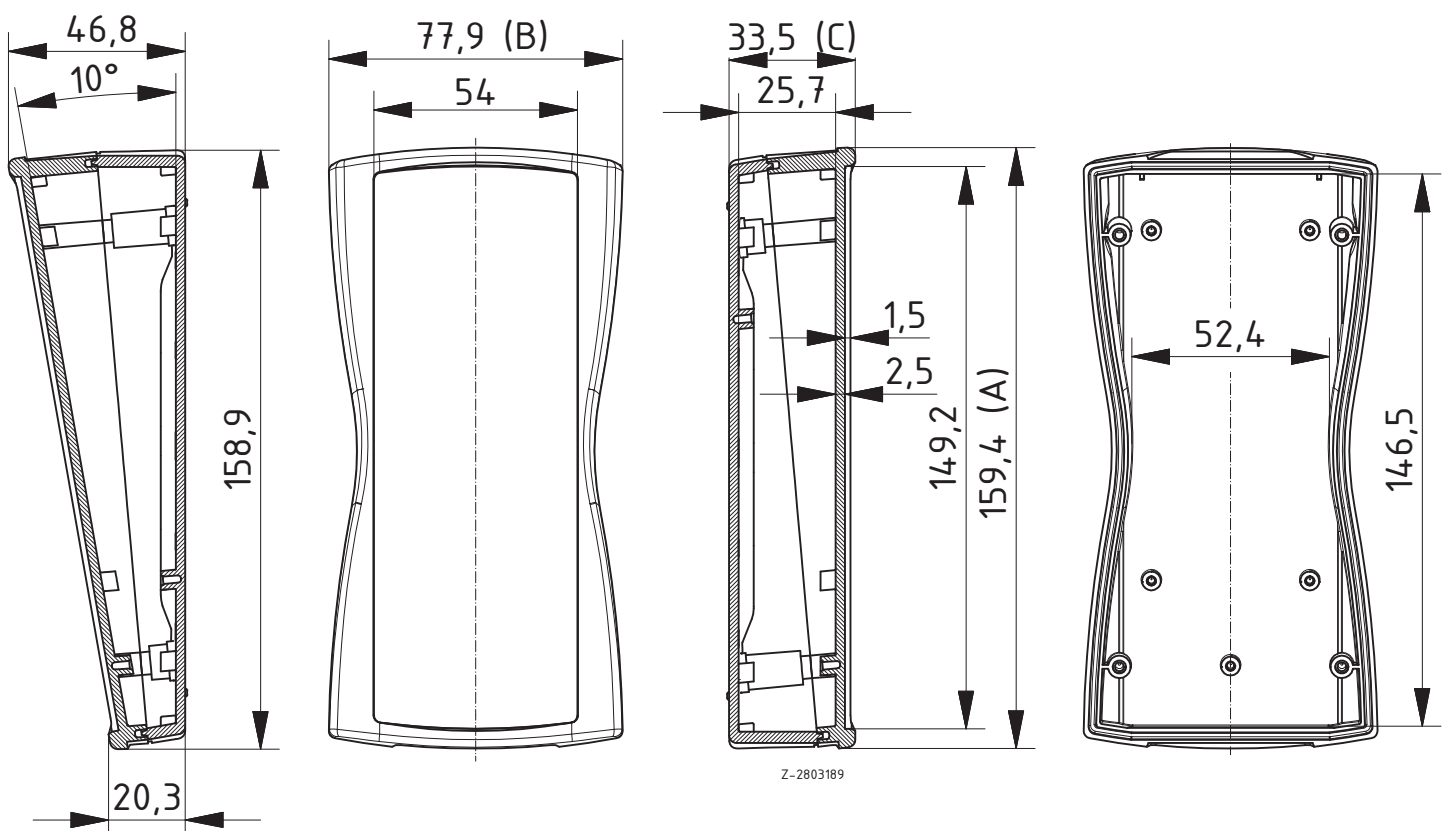
Notes: * = Available on request. Upgradable to IP 65 by fitting DI-D.

BOS-Streamline 6..F | with continuous membrane keypad area

BS 604 F with compartment for 3 mignon (AA) batteries, IP 65

Model	Order no.	A	B	C	Colour
BS 604 F-7024	82604124	159.4	77.9	35.5	Graphite grey
BS 604 F-7035	82604135	159.4	77.9	33.5	Light grey

Scope Of Delivery: Lid and base including seal, 4 screws, battery compartment lid, battery compartment seal, screws, battery contacts



BOS-Streamline 6..DIS | with display screen and membrane keypad area



BS 600 DIS without battery compartment, IP 40 (IP 65)

Model	Order no.	A	B	C	Colour
BS 600 DIS-7024	82600224	159.4	77.9	33.5	Graphite grey
BS 600 DIS-7035	82600235	159.4	77.9	33.5	Light grey

Scope Of Delivery: Lid and base, display screen, adhesive film, 4 screws

Notes: * = Available on request. Upgradable to IP 65 by fitting DI-D.



BS 602 DIS without battery compartment, IP 65

Model	Order no.	A	B	C	Colour
BS 602 DIS-7024	82602224	159.4	77.9	33.5	Graphite grey
BS 602 DIS-7035	82602235	159.4	77.9	33.5	Light grey

Scope Of Delivery: Lid and base including seal, display screen, adhesive film, 4 screws



BS 601 DIS with compartment for 3 mignon (AA) batteries, IP 40

Model	Order no.	A	B	C	Colour
BS 601 DIS-7024	82601224	159.4	77.9	33.5	Graphite grey
BS 601 DIS-7035	82601235	159.4	77.9	33.5	Light grey

Scope Of Delivery: Lid and base, display screen, adhesive film, 4 screws, battery compartment lid, screws, battery contacts



BS 603 DIS with compartment for 3 mignon (AA) batteries, IP 40 (IP 65)

Model	Order no.	A	B	C	Colour
BS 603 DIS-7024	82603224	159.4	77.9	33.5	Graphite grey
BS 603 DIS-7035	82603235	159.4	77.9	33.5	Light grey

Scope Of Delivery: Lid and base, display screen, adhesive film, 4 screws, battery compartment lid, battery compartment seal, screws, battery contacts

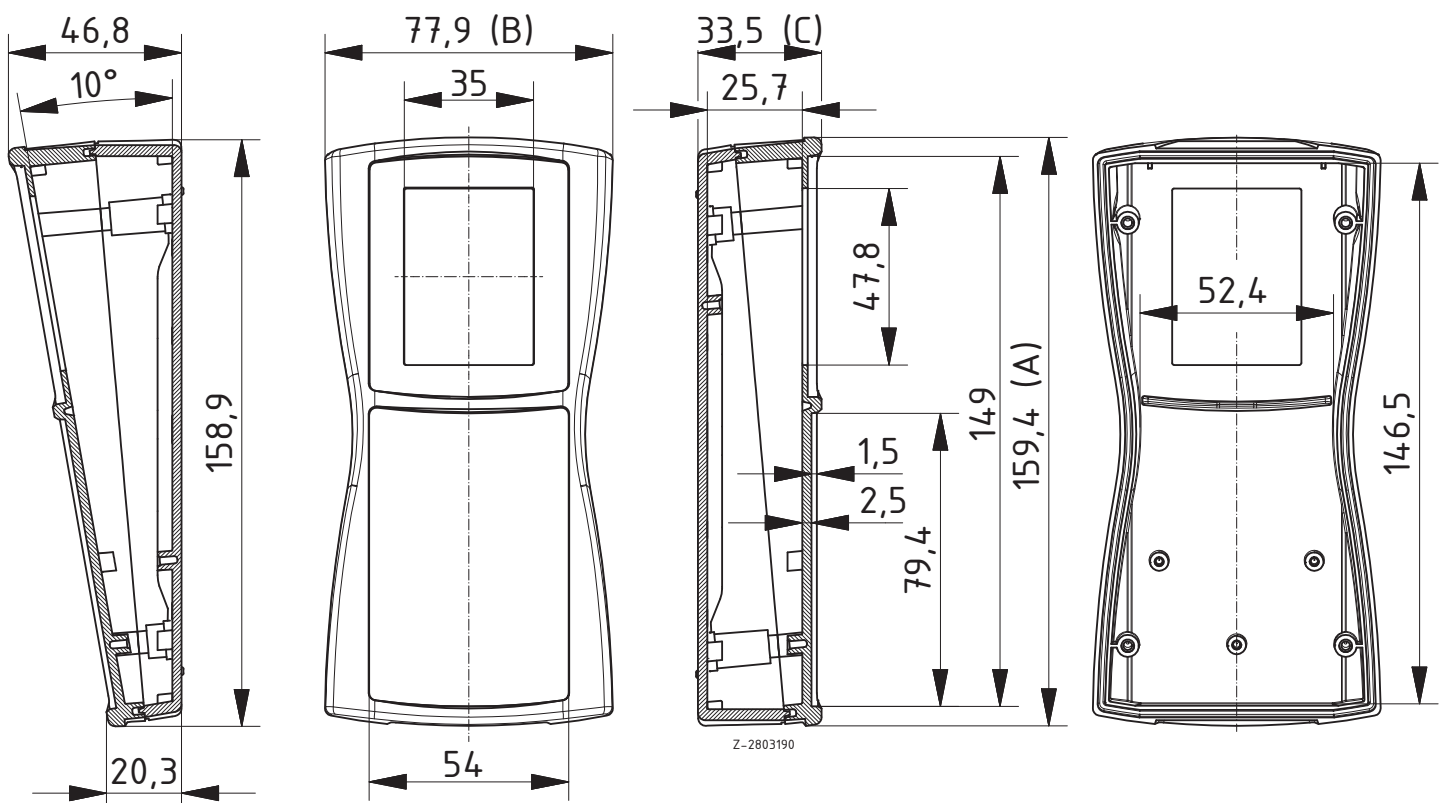
Notes: * = Available on request. Upgradable to IP 65 by fitting DI-D.

BOS-Streamline 6..DIS | with display screen and membrane keypad area

BS 604 DIS with compartment for 3 mignon (AA) batteries, IP 65

Model	Order no.	A	B	C	Colour
BS 604 DIS-7024	82604224	159.4	77.9	33.5	Graphite grey
BS 604 DIS-7035	82604235	159.4	77.9	33.5	Light grey

Scope Of Delivery: Lid and base including seal, display screen, adhesive film, 4 screws, battery compartment lid, battery compartment seal, screws, battery contacts



For accessories, please see the end of the chapter

BOS-Streamline 7..F | with continuous membrane keypad area

BS 700 F without battery compartment, IP 40 (IP 65)



Model	Order no.	A	B	C	Colour
BS 700 F-7024	82700124	184.3	93	35.4	Graphite grey
BS 700 F-7035	82700135	184.3	93	35.4	Light grey

Scope Of Delivery: Lid and base, 4 screws

Notes: * = Available on request. Upgradable to IP 65 by fitting DI-D.

BS 702 F without battery compartment, IP 65



Model	Order no.	A	B	C	Colour
BS 702 F-7024	82702124	184.3	93	35.4	Graphite grey
BS 702 F-7035	82702135	184.3	93	35.4	Light grey

Scope Of Delivery: Lid and base including seal, 4 screws

BS 701 F with compartment for 4 mignon (AA) batteries, IP 40



Model	Order no.	A	B	C	Colour
BS 701 F-7024	82701124	184.3	93	35.4	Graphite grey
BS 701 F-7035	82701135	184.3	93	35.4	Light grey

Scope Of Delivery: Lid and base, 4 screws, battery compartment lid, screws, battery contacts

BS 703 F with compartment for 4 mignon (AA) batteries, IP 40 (IP 65)



Model	Order no.	A	B	C	Colour
BS 703 F-7024	82703124	184.3	93	35.4	Graphite grey
BS 703 F-7035	82703135	184.3	93	35.4	Light grey

Scope Of Delivery: Lid and base, 4 screws, battery compartment lid, battery compartment seal, screws, battery contacts

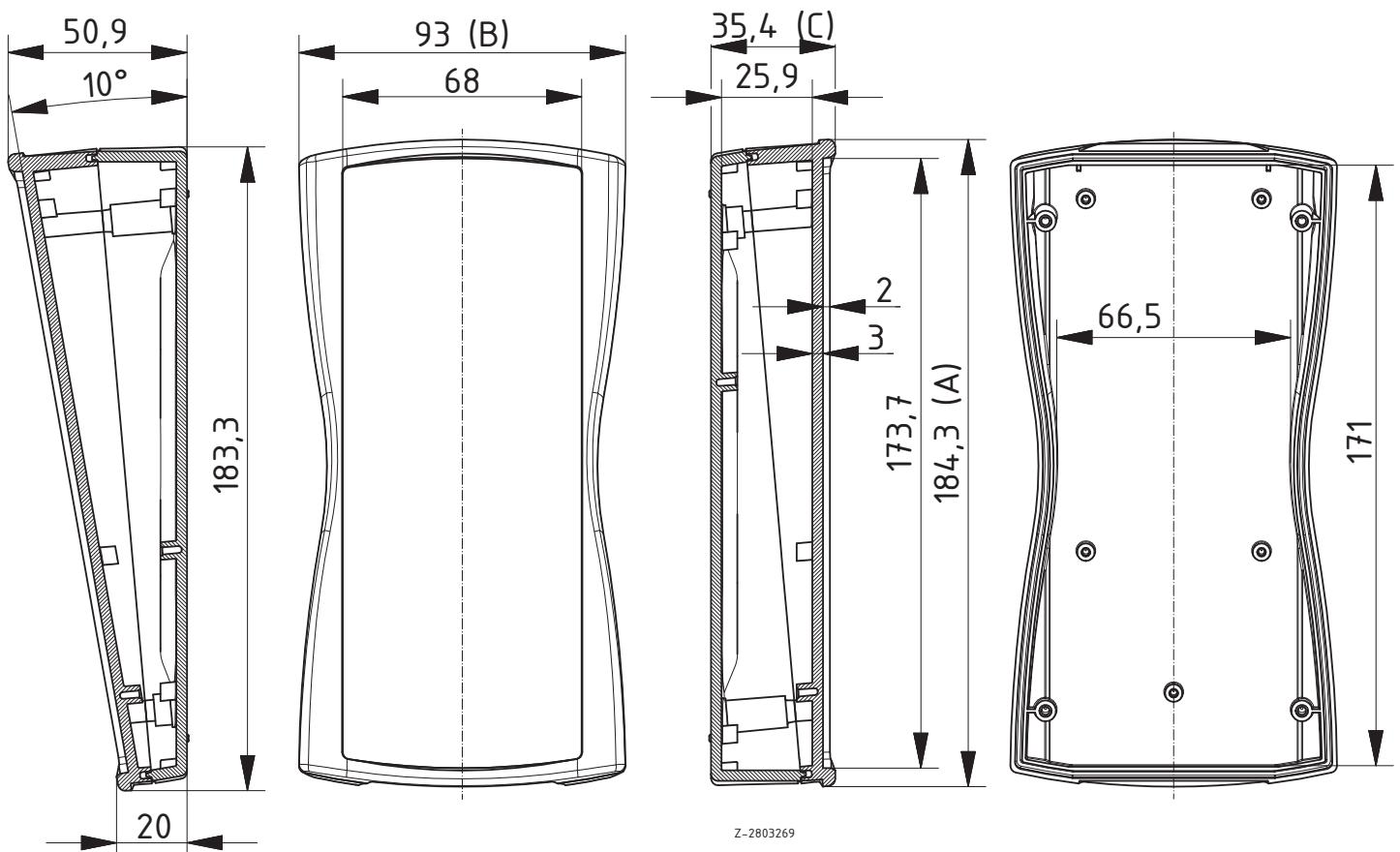
Notes: * = Available on request. Upgradable to IP 65 by fitting DI-D.

BOS-Streamline 7..F | with continuous membrane keypad area

BS 704 F with compartment for 4 mignon (AA) batteries, IP 65

Model	Order no.	A	B	C	Colour
BS 704 F-7024	82704124	184.3	93	35.4	Graphite grey
BS 704 F-7035	82704135	184.3	93	35.4	Light grey

Scope Of Delivery: Lid and base including seal, 4 screws, battery compartment lid, battery compartment seal, screws, battery contacts



BOS-Streamline 7..DIS | with display screen and membrane keypad area



BS 700 DIS without battery compartment, IP 40 (IP 65)

Model	Order no.	A	B	C	Colour
BS 700 DIS-7024	82700224	184.3	93	35.4	Graphite grey
BS 700 DIS-7035	82700235	184.3	93	35.4	Light grey

Scope Of Delivery: Lid and base, display screen, adhesive film, 4 screws

Notes: * = Available on request. Upgradable to IP 65 by fitting DI-D.



BS 702 DIS without battery compartment, IP 65

Model	Order no.	A	B	C	Colour
BS 702 DIS-7024	82702224	184.3	93	35.4	Graphite grey
BS 702 DIS-7035	82702235	184.3	93	35.4	Light grey

Scope Of Delivery: Lid and base including seal, display screen, adhesive film, 4 screws



BS 701 DIS with compartment for 4 mignon (AA) batteries, IP 40

Model	Order no.	A	B	C	Colour
BS 701 DIS-7024	82701224	184.3	93	35.4	Graphite grey
BS 701 DIS-7035	82701235	184.3	93	35.4	Light grey

Scope Of Delivery: Lid and base, display screen, adhesive film, 4 screws, battery compartment lid, screws, battery contacts



BS 703 DIS with compartment for 4 mignon (AA) batteries, IP 40 (IP 65)

Model	Order no.	A	B	C	Colour
BS 703 DIS-7024	82703224	184.3	93	35.4	Graphite grey
BS 703 DIS-7035	82703235	184.3	93	35.4	Light grey

Scope Of Delivery: Lid and base, display screen, adhesive film, 4 screws, battery compartment lid, battery compartment seal, screws, battery contacts

Notes: * = Available on request. Upgradable to IP 65 by fitting DI-D.



BS 704 DIS with compartment for 4 mignon (AA) batteries, IP 65

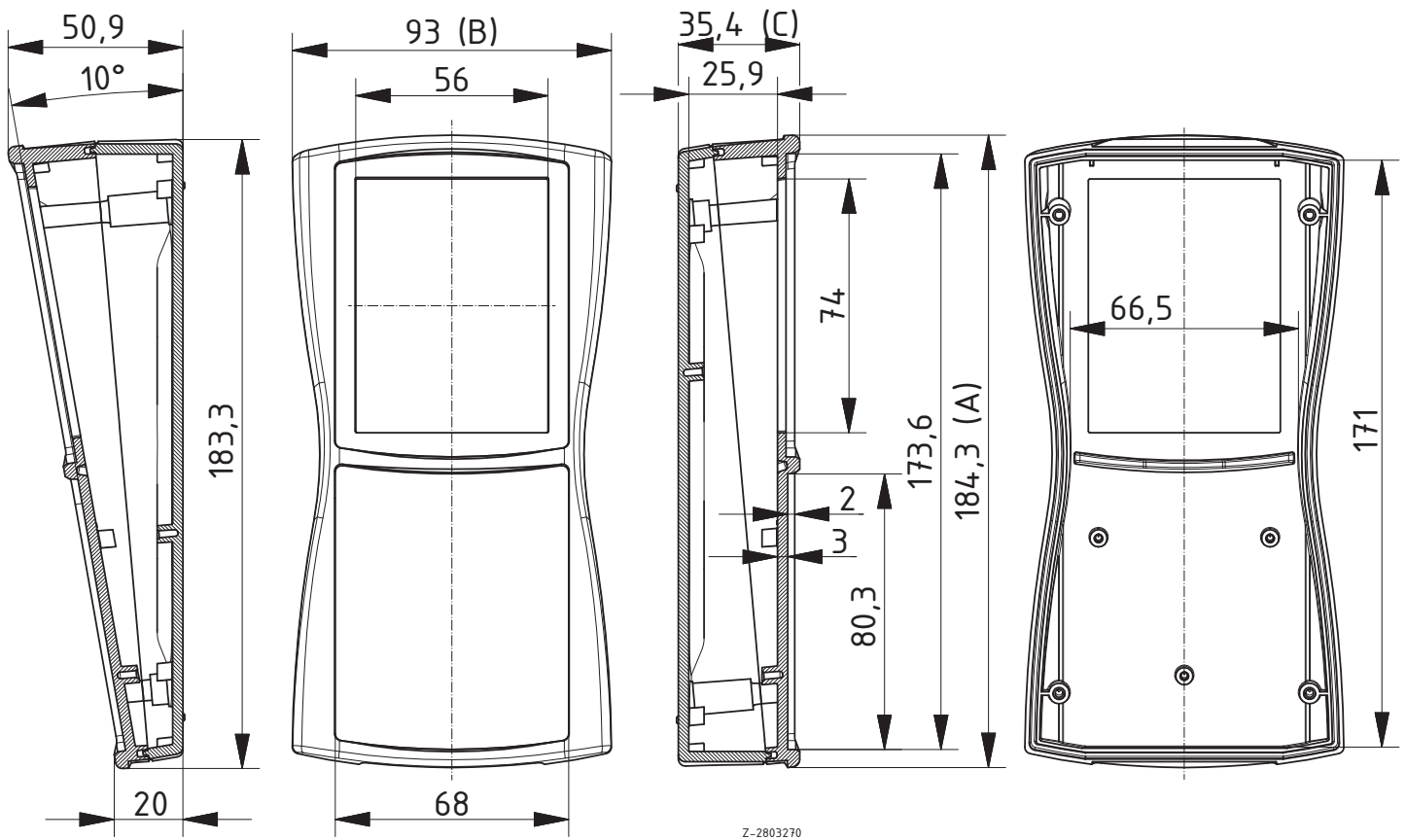
Model	Order no.	A	B	C	Colour
BS 704 DIS-7024	82704224	184.3	93	35.4	Graphite grey
BS 704 DIS-7035	82704235	184.3	93	35.4	Light grey

Scope Of Delivery: Lid and base including seal, display screen, adhesive film, 4 screws, battery compartment lid, battery compartment seal, screws, battery contacts



BOPLA

A Phoenix Mecano Company



BOS-Streamline 8..F | with continuous membrane keypad area

BS 800 F without battery compartment, IP 40 (IP 65)



Model	Order no.	A	B	C	Colour
BS 800 F-7024	82800124	209.3	98	34.8	Graphite grey
BS 800 F-7035	82800135	209.3	98	34.8	Light grey

Scope Of Delivery: Lid and base, 4 screws

Notes: * = Available on request. Upgradable to IP 65 by fitting DI-D.

BS 802 F without battery compartment, IP 65



Model	Order no.	A	B	C	Colour
BS 802 F-7024	82802124	209.3	98	34.8	Graphite grey
BS 802 F-7035	82802135	209.3	98	34.8	Light grey

Scope Of Delivery: Lid and base including seal, 4 screws

BS 801 F with compartment for 4 mignon (AA) batteries, IP 40



Model	Order no.	A	B	C	Colour
BS 801 F-7024	82801124	209.3	98	34.8	Graphite grey
BS 801 F-7035	82801135	209.3	98	34.8	Light grey

Scope Of Delivery: Lid and base, 4 screws, battery compartment lid, screws, battery contacts

BS 803 F with compartment for 4 mignon (AA) batteries, IP 40 (IP 65)



Model	Order no.	A	B	C	Colour
BS 803 F-7024	82803124	209.3	98	34.8	Graphite grey
BS 803 F-7035	82803135	209.3	98	34.8	Light grey

Scope Of Delivery: Lid and base, 4 screws, battery compartment lid, battery compartment seal, screws, battery contacts

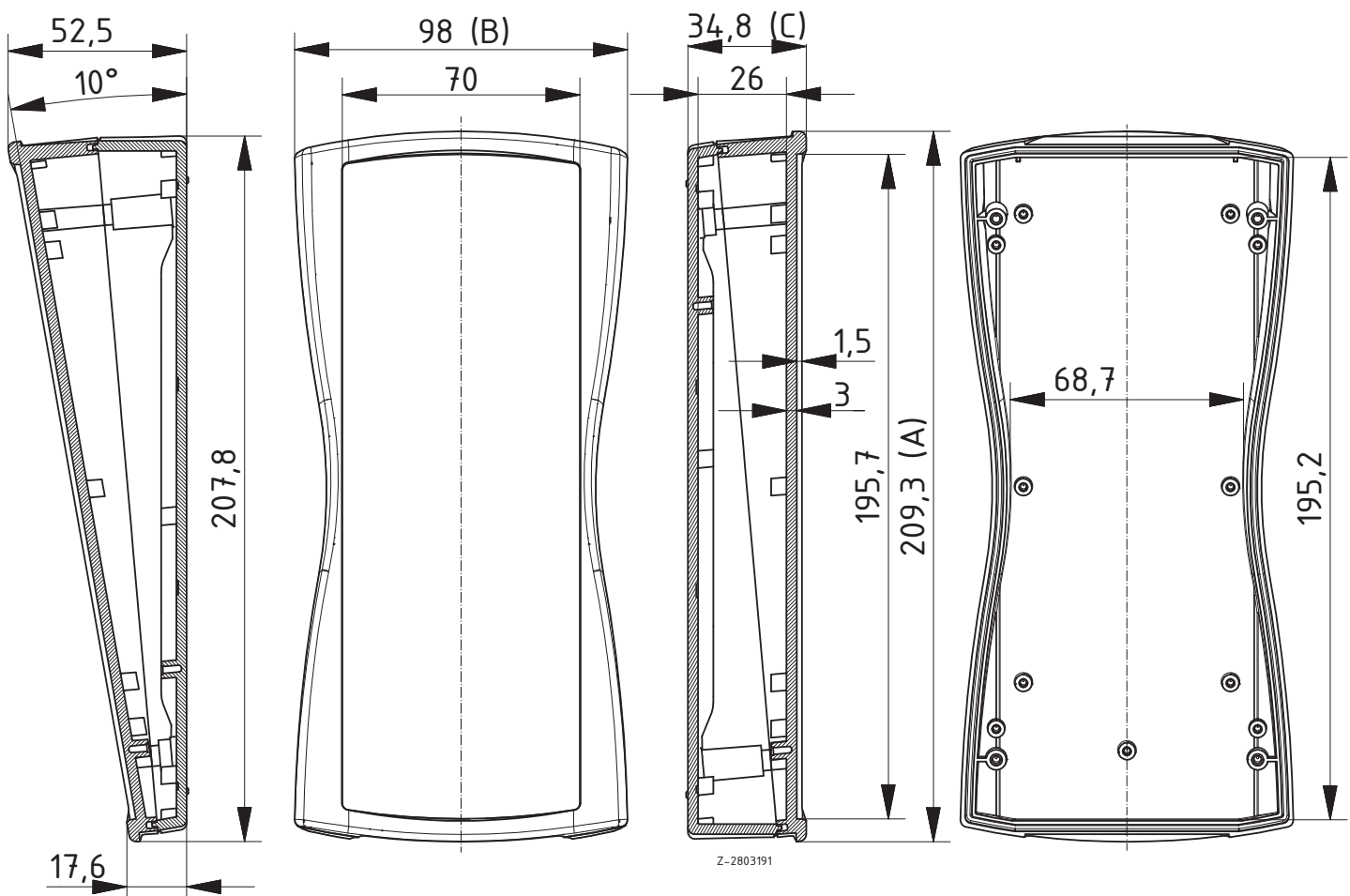
Notes: * = Available on request. Upgradable to IP 65 by fitting DI-D.

BOS-Streamline 8..F | with continuous membrane keypad area

BS 804 F with compartment for 4 mignon (AA) batteries, IP 65

Model	Order no.	A	B	C	Colour
BS 804 F-7024	82804124	209.3	98	34.8	Graphite grey
BS 804 F-7035	82804135	209.3	98	34.8	Light grey

Scope Of Delivery: Lid and base including seal, 4 screws, battery compartment lid, battery compartment seal, screws, battery contacts



BOS-Streamline 8..DIS | with display screen and membrane keypad area



BS 800 DIS without battery compartment, IP 40 (IP 65)

Model	Order no.	A	B	C	Colour
BS 800 DIS-7024	82800224	209.3	98	34.8	Graphite grey
BS 800 DIS-7035	82800235	209.3	98	34.8	Light grey

Scope Of Delivery: Lid and base, display screen, adhesive film, 4 screws

Notes: * = Available on request. Upgradable to IP 65 by fitting DI-D.



BS 802 DIS without battery compartment, IP 65

Model	Order no.	A	B	C	Colour
BS 802 DIS-7024	82802224	209.3	98	34.8	Graphite grey
BS 802 DIS-7035	82802235	209.3	98	34.8	Light grey

Scope Of Delivery: Lid and base including seal, display screen, adhesive film, 4 screws



BS 801 DIS with compartment for 4 mignon (AA) batteries, IP 40

Model	Order no.	A	B	C	Colour
BS 801 DIS-7024	82801224	209.3	98	34.8	Graphite grey
BS 801 DIS-7035	82801235	209.3	98	34.8	Light grey

Scope Of Delivery: Lid and base, display screen, adhesive film, 4 screws, battery compartment lid, screws, battery contacts



BS 803 DIS with compartment for 4 mignon (AA) batteries, IP 40 (IP 65)

Model	Order no.	A	B	C	Colour
BS 803 DIS-7024	82803224	209.3	98	34.8	Graphite grey
BS 803 DIS-7035	82803235	209.3	98	34.8	Light grey

Scope Of Delivery: Lid and base, display screen, adhesive film, 4 screws, battery compartment lid, battery compartment seal, screws, battery contacts

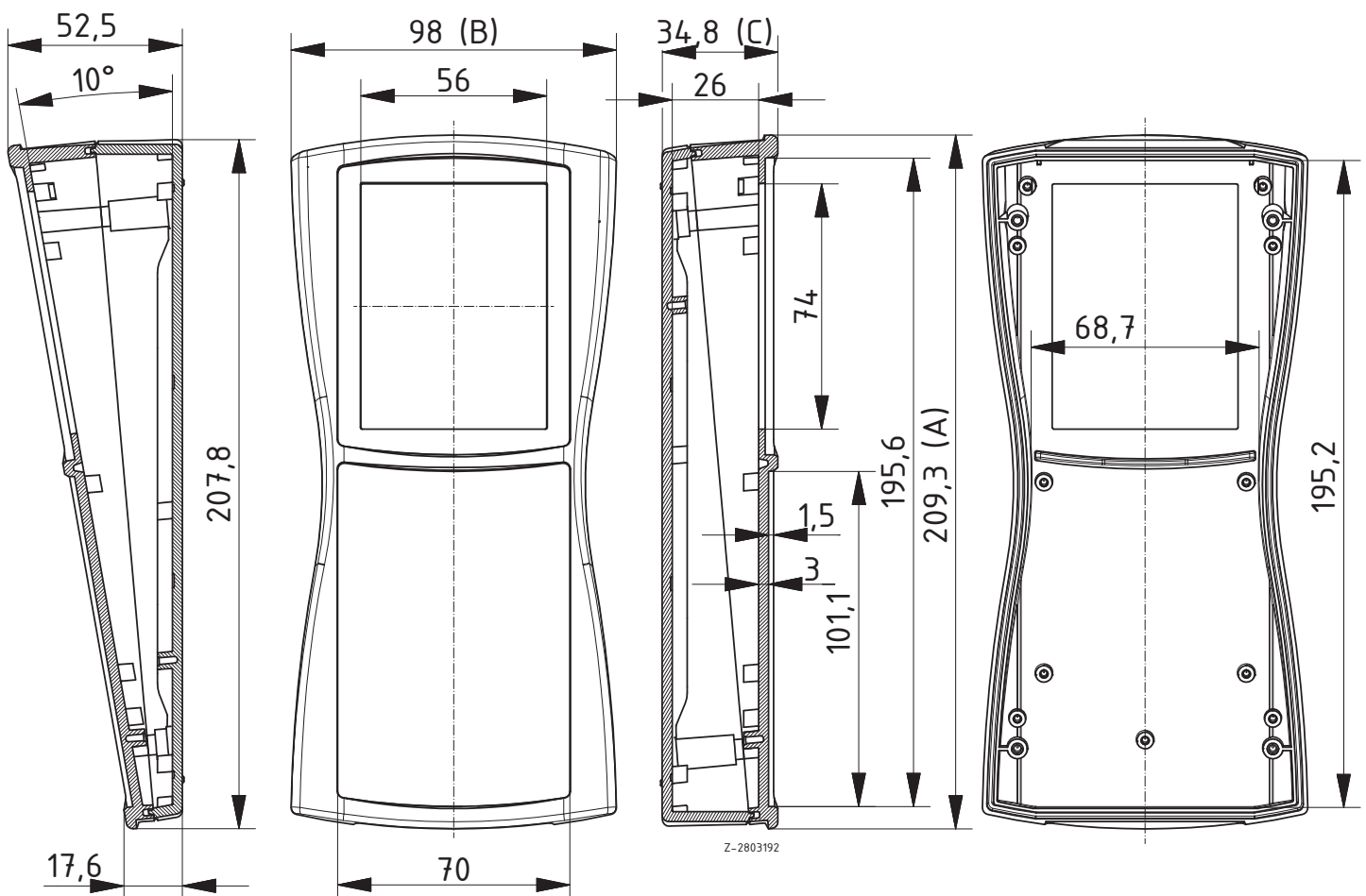
Notes: * = Available on request. Upgradable to IP 65 by fitting DI-D.

BOS-Streamline 8..DIS | with display screen and membrane keypad area

BS 804 DIS with compartment for 4 mignon (AA) batteries, IP 65

Model	Order no.	A	B	C	Colour
BS 804 DIS-7024	82804224	209.3	98	34.8	Graphite grey
BS 804 DIS-7035	82804235	209.3	98	34.8	Light grey

Scope Of Delivery: Lid and base including seal, display screen, adhesive film, 4 screws, battery compartment lid, battery compartment seal, screws, battery contacts



For accessories, please see the end of the chapter

BOS-Streamline | accessories

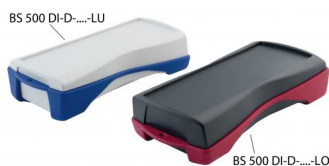


Decor seals

Model	Order no.	Colour	Note
BS 200 DI-D-1003	82821003	Signal yellow	For BS 200
BS 200 DI-D-3001	82823001	Signal red	For BS 200
BS 200 DI-D-5005	82825005	Signal blue	For BS 200
BS 200 DI-D-6032	82826032	Signal green	For BS 200
BS 200 DI-D-7024	82827024	Graphite grey	For BS 200
BS 400 DI-D-1003	82841003	Signal yellow	For BS 400
BS 400 DI-D-3001	82843001	Signal red	For BS 400
BS 400 DI-D-5005	82845005	Signal blue	For BS 400
BS 400 DI-D-6032	82846032	Signal green	For BS 400
BS 400 DI-D-7024	82847024	Graphite grey	For BS 400
BS 500 DI-D-1003	82851003	Signal yellow	For BS 500
BS 500 DI-D-3001	82853001	Signal red	For BS 500
BS 500 DI-D-5005	82855005	Signal blue	For BS 500
BS 500 DI-D-6032	82856032	Signal green	For BS 500
BS 500 DI-D-7024	82857024	Graphite grey	For BS 500
BS 600 DI-D-1003	82861003	Signal yellow	For BS 600
BS 600 DI-D-3001	82863001	Signal red	For BS 600
BS 600 DI-D-5005	82865005	Signal blue	For BS 600
BS 600 DI-D-6032	82866032	Signal green	For BS 600
BS 600 DI-D-7024	82867024	Graphite grey	For BS 600
BS 700 DI-D-1003	82871003	Signal yellow	For BS 700
BS 700 DI-D-3001	82873001	Signal red	For BS 700
BS 700 DI-D-5005	82875005	Signal blue	For BS 700
BS 700 DI-D-6032	82876032	Signal green	For BS 700
BS 700 DI-D-7024	82877024	Graphite grey	For BS 700
BS 800 DI-D-1003	82881003	Signal yellow	For BS 800
BS 800 DI-D-3001	82883001	Signal red	For BS 800
BS 800 DI-D-5005	82885005	Signal blue	For BS 800
BS 800 DI-D-6032	82886032	Signal green	For BS 800
BS 800 DI-D-7024	82887024	Graphite grey	For BS 800

Scope Of Delivery: Decor seal, 4 screws; BS 200 DI-D-... 1 screw

Notes: Not for use with BS .02 and BS .04.



Decor seals for loop for attaching lanyard

Model	Order no.	Colour	Note
BS 500 DI-D-1003-LO	82851103*	Signal yellow	For BS 500
BS 500 DI-D-3001-LO	82853101*	Signal red	For BS 500
BS 500 DI-D-5005-LO	82855105*	Signal blue	For BS 500
BS 500 DI-D-6032-LO	82856132*	Signal green	For BS 500
BS 500 DI-D-7024-LO	82857124*	Graphite grey	For BS 500
BS 500 DI-D-1003-LU	82851203*	Signal yellow	For BS 500
BS 500 DI-D-3001-LU	82853201*	Signal red	For BS 500
BS 500 DI-D-5005-LU	82855205*	Signal blue	For BS 500
BS 500 DI-D-6032-LU	82856232*	Signal green	For BS 500
BS 500 DI-D-7024-LU	82857224*	Graphite grey	For BS 500

Scope Of Delivery: Seal with bracket up or down, 4 screws

Notes: LO = bracket up, LU = bracket down. Not for use with BS 502 and BS 504.