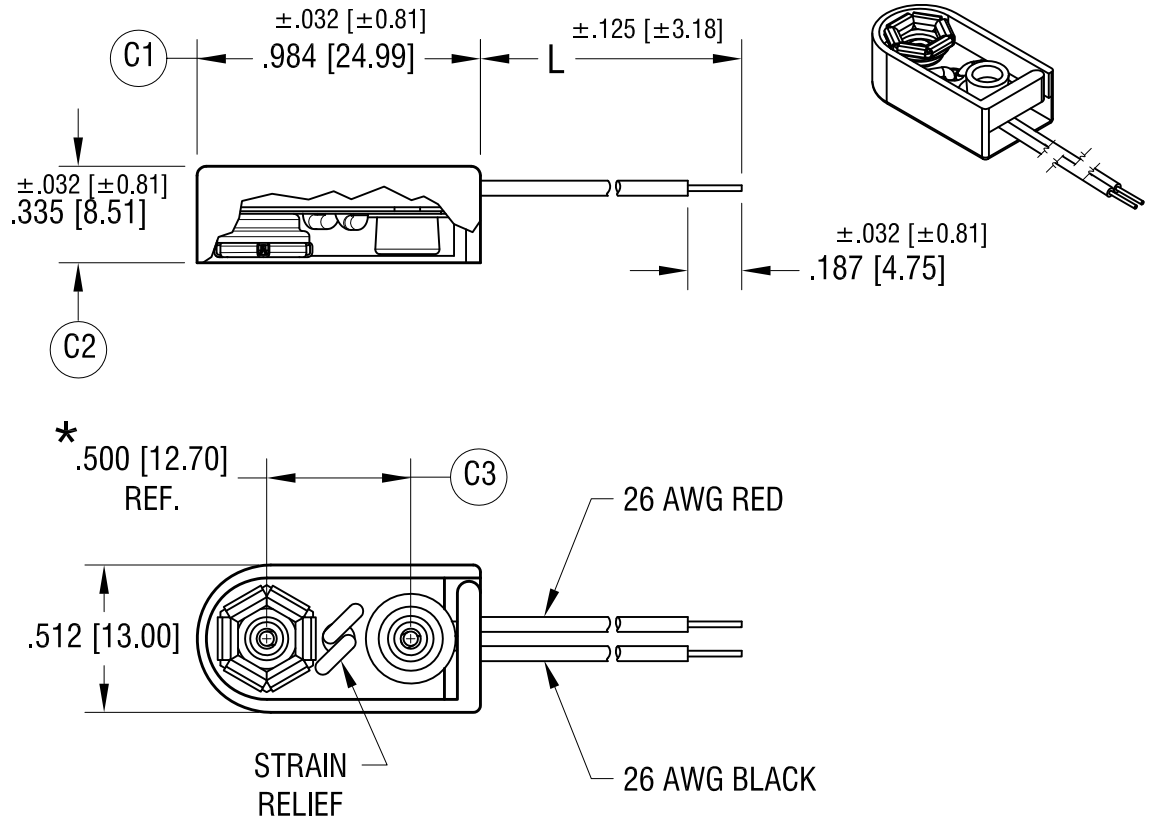


THIS DOCUMENT IS THE PROPERTY OF KEYSTONE ELECTRONICS CORP. AND SHALL NOT BE REPRODUCED, DISTRIBUTED OR USED AS A BASIS FOR MANUFACTURE WITHOUT PRIOR WRITTEN PERMISSION FROM KEYSTONE ELECTRONICS CORP.

**ACTUAL SIZE**



**NOTES:**

1. WIRE: 26 AWG, 1007 UL/CSA APPROVED  
.052 [1.32] O.D. PVC INSULATION.  
RED WIRE CONNECTED TO FEMALE CONTACT;  
BLACK WIRE TO MALE CONTACT.
2. BASE: MAT'L- ABS
3. CONTACT: MAT'L- BRASS  
FINISH - NICKEL PLATE
4. EYELET: MAT'L- BRASS
5. ★ REF. DIMENSION MUST FIT  
INDUSTRY STANDARD 9 VOLT BATTERY.

PART NO.	'L' DIM.
84-4	4.000 [101.60]
84-6	6.000 [152.40]
84-8	8.000 [203.20]

DATE	DESCRIPTION	REV.
8.23.11	TOLERANCE FOR (C1,C2,C3) WAS ±.010 ECR 21-093 ADD NOTE 5.	C
11.10.03	CHANGE AS PER ECN 03-082	B
4.1.98	CHANGE AS PER ECN 03-082	A

**KEYSTONE ELECTRONICS CORP.**  
www.keyelco.com • NEW HYDE PARK, NY 11040 • Tel (516) 328-7500

PART NAME  
**SHIELDED 9 VOLT 'I' TYPE BATTERY STRAP**

MATERIAL  
**AS NOTED**

FINISH  
**AS NOTED**

DRN BY: NT      DATE: 5.2.96  
APP'D: LN      SCALE: 1.5X

TOLERANCES INCH [MM]  
DECIMAL ±.010 [±0.25]  
ANGULAR ± 1°  
UNLESS OTHERWISE SPECIFIED

CODE  
**C**

DWG NO.  
**84-**