



Quality Products. Service Excellence.

Audio Broadcast Quality 800A Series

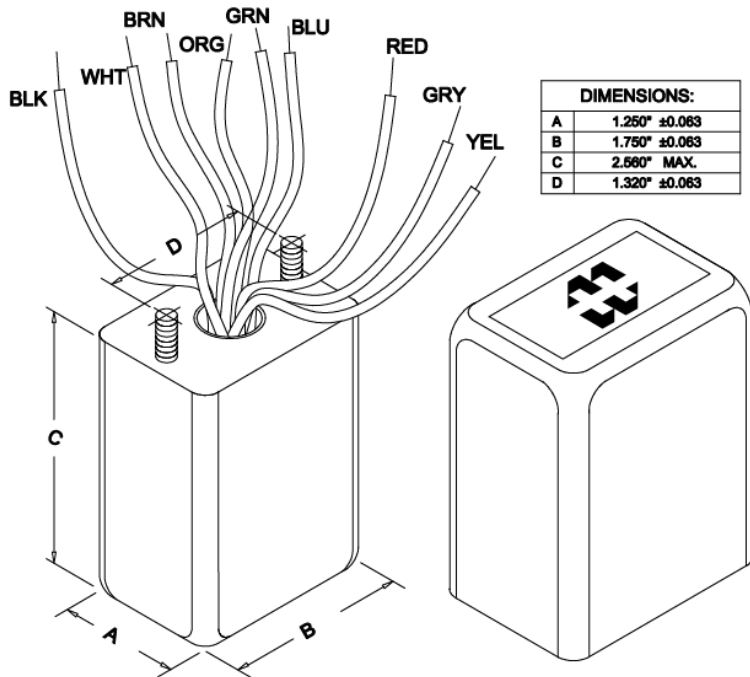
Features



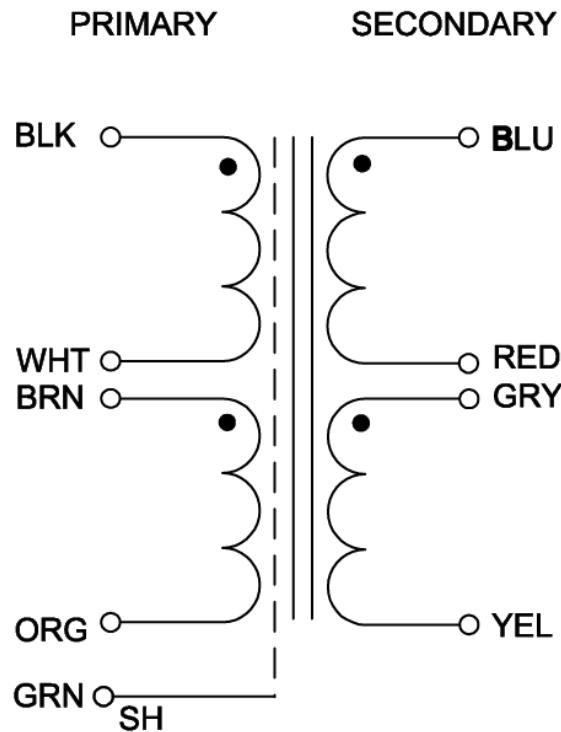
- Deep-drawn steel case with tin plated finish, with two convenient 6-32 mounting studs with hardware.
- Includes wire leads (minimum length of 4").
- Frequency response +/- 0.5 db max. from 50 Hz. to 15 KHz.
- Insertion loss of apx. 1 db.
- Maximum power level +15 dbm. (except 841A, 842A & 844A which are +20 dbm) with specified characteristics, or higher levels with reduced low frequency performance.
- Electrostatic shield between pri. & sec.
- Humbucking construction
- Balanced split windings on pri. & sec. for circuit versatility. Primary may be used as a secondary and vice versa for impedance matching.
- Overall dimensions 1.75" (44.5 mm) wide x 1.25" (31.8 mm) deep x 2.56" (65 mm) high max.
- Shipping weight 0.5 lb. (0.2 kg)



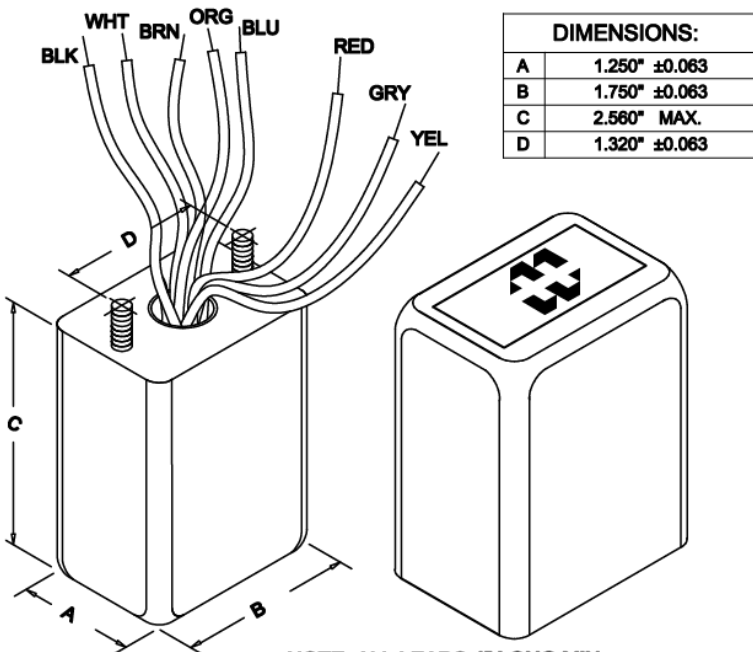
801A - 813A



| DIMENSIONS: | |
|-------------|---------------|
| A | 1.250" ±0.063 |
| B | 1.750" ±0.063 |
| C | 2.560" MAX. |
| D | 1.320" ±0.063 |

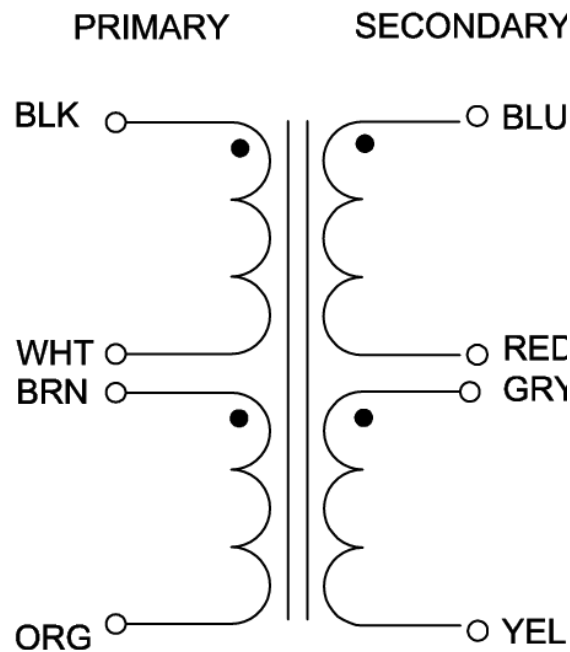


832A - 844A



| DIMENSIONS: | |
|-------------|---------------|
| A | 1.250" ±0.063 |
| B | 1.750" ±0.063 |
| C | 2.560" MAX. |
| D | 1.320" ±0.063 |

NOTE: ALL LEADS 4" LONG MIN.



| Part No. | Application | Nominal Impedance (Ohms) | | Max. Primary D.C. Unbalanced Current (ma.) |
|----------|-------------|--------------------------|-----------|--|
| | | Primary | Secondary | |
| | | | | |